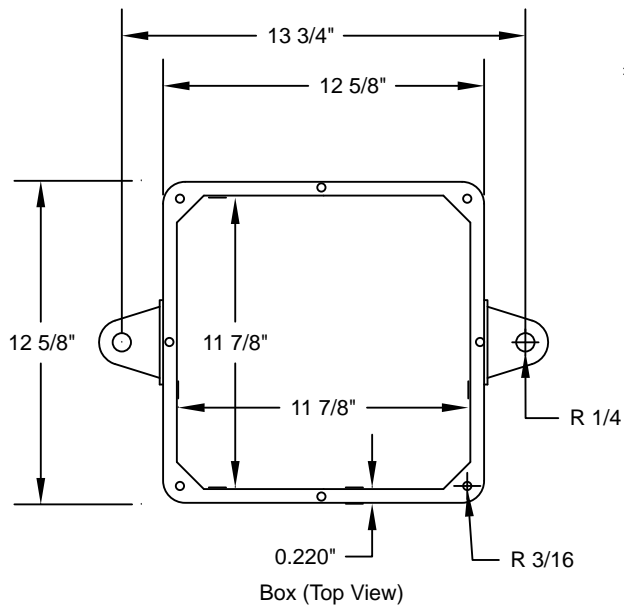
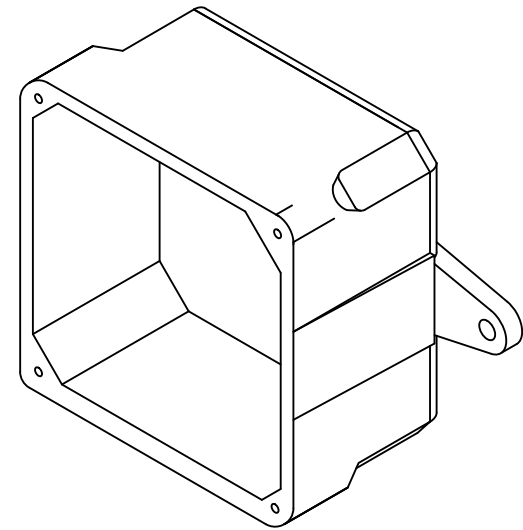
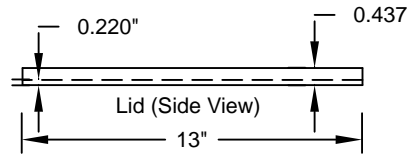


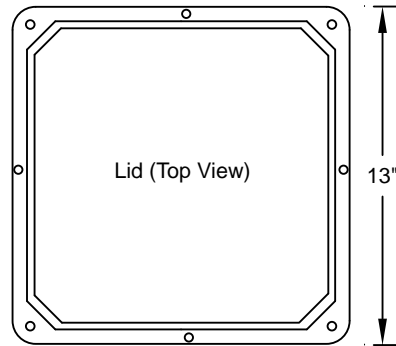
Box (Side View)



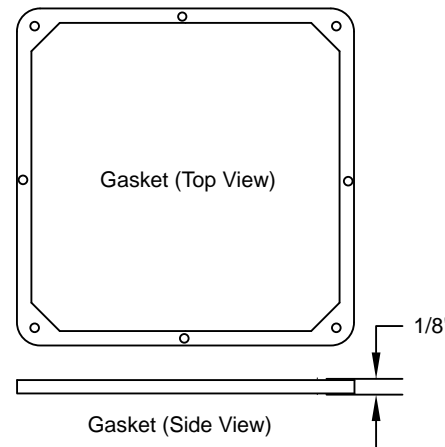
Box (Top View)



Lid (Side View)

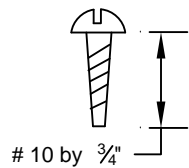


Lid (Top View)



Gasket (Top View)

Gasket (Side View)



# 10 by 3/4"

UL Listed  
 Marine Listed  
 UL File # E205935 (QCUP)  
 UL Control # 92CM  
 Material is Rigid PVC  
 565.8 cu in Volume (9273 cu cm)  
 Screws are Zinc Plated Steel  
 Gasket is neoprene



**CANTEX**  
 INC.  
 Fort Worth, TEXAS

**Junction Box 12 x 12 x 4**

Drawn By: Scott Frank | Date: 8-12-2008 | 5133714