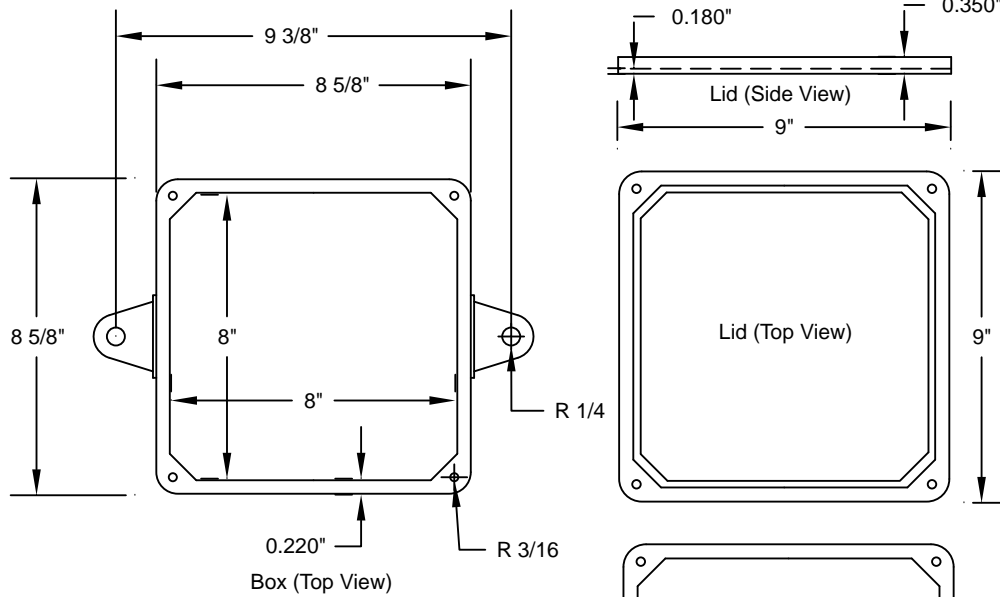
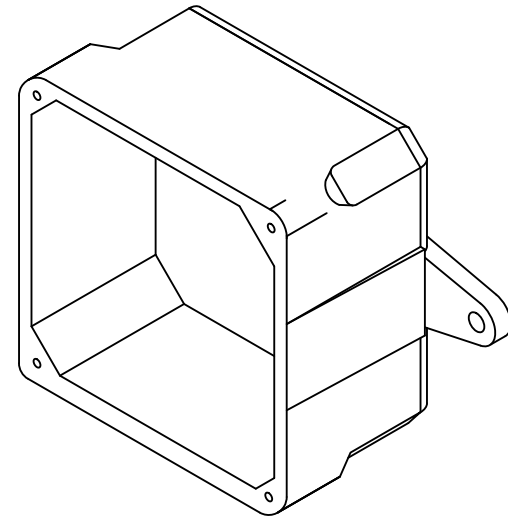


Box (Side View)



UL Listed
 Marine Listed
 UL File # E205935 (QCUP)
 UL Control # 92CM
 Material is Rigid PVC
 365 cu in Volume (5981 cu cm)
 Screws are Zinc Plated Steel
 Gasket is neoprene



CANTEX
 INC.
 Fort Worth, TEXAS

Junction Box 8 x 8 x 6

Drawn By: Scott Frank | Date: 8-12-2008 | 5133164