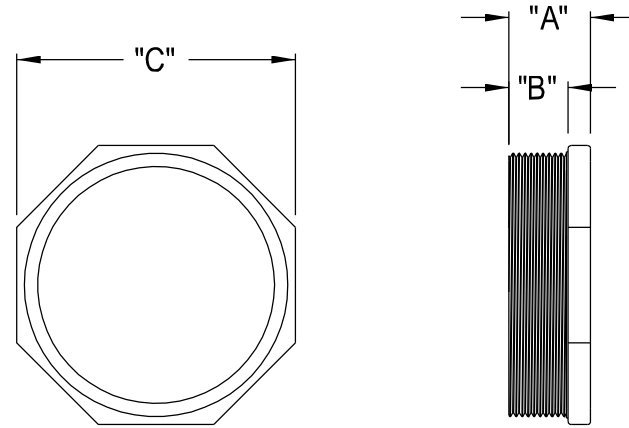


501 - 510

|          |            |       |       |       |       |
|----------|------------|-------|-------|-------|-------|
| 510      | 4          | 1.358 | .995  | 5.420 | 4.810 |
| 509      | 3 1/2      | 1.378 | 1.008 | 4.932 | 4.370 |
| 508      | 3          | 1.378 | 1.008 | 4.390 | 3.906 |
| 507      | 2 1/2      | 1.125 | .836  | 3.555 | 3.188 |
| 506      | 2          | .845  | .638  | 2.945 | 2.605 |
| 505      | 1 1/2      | .835  | .630  | 2.380 | 2.110 |
| 504      | 1 1/4      | .828  | .615  | 2.093 | 1.875 |
| 503      | 1          | .654  | .518  | 1.616 | 1.406 |
| 502      | 3/4        | .565  | .428  | 1.310 | 1.148 |
| 501      | 1/2        | .593  | .465  | 1.050 | .930  |
| PART No. | TRADE SIZE | "A"   | "B"   | "C"   | "D"   |



511 & 512

|          |            |       |       |       |
|----------|------------|-------|-------|-------|
| 512      | 6          | 2.028 | 1.500 | 7.000 |
| 511      | 5          | 1.700 | 1.215 | 5.812 |
| PART No. | TRADE SIZE | "A"   | "B"   | "C"   |