

FEATURES & SPECIFICATIONS

INTENDED USE — Our recessed LED module is the most economical means to create a well lit environment with exceptional energy efficiency and near zero maintenance. Great for retrofit into existing downlight cans or new construction and remodel applications. Compliant friction clip retention allows fitment into nearly 100% of installed cans. The LED module maintains at least 70% light output for 35,000 hours. Indoor and Outdoor Use.

CONSTRUCTION — Aluminum spun reflector with deep baffle configuration for reduced glare. Combined LED and driver printed circuit board attached. Inner reflector cone funnels light through the pressed-in diffused lens.

OPTICS — Diffused lens at end of mixing chamber to provide even light distribution for general illumination, equivalent to 65W BR30 Lamp.

Wide flood beam angle at > 45°.

ELECTRICAL — Center 2 Edge™ (patent pending) technology created for a single point source. Primary power disconnect provided for simple connection to a dedicated LED connector in the housing.

Dimming down to 10%. For compatible dimmers, refer to [Compatible Dimmers Chart](#).

700-lumen E series has an input wattage of 10 watts, 70 lumens per watt, equivalent to 65-watt incandescent.

E Series' patent pending driver has zero inrush which allows power loads to be calculated with actual rated wattages.

Example: 60 units of 4BEMW LED fixtures can be installed in line with a 600-watt dimmer. 600W/10W = 60 fixtures.

INSTALLATION — Suitable for installation in standard height rough-in sections.

E26 socket adaptor and ships standard.

Friction clips allow fitment into cans with an inside diameter of 4.0" to 4.5".

LISTINGS — CSA certified to US and Canadian safety standards. ENERGY STAR® certified. Can be used to comply with California Title 24 Part 6 High Efficacy LED Light Source Requirements. Wet location listed. WSEC ASTM E283 for Air-Tight (with IC housings).

WARRANTY — 5-year limited warranty. Complete warranty terms located at www.acuitybrands.com/CustomResources/Terms_and_conditions.aspx

NOTE: Actual performance may differ as a result of end-user environment and application. All values are design or typical values, measured under laboratory conditions at 25°C. Specifications subject to change without notice.

PATENTS PENDING.

Catalog Number
Notes
Type



LED Recessed Downlighting

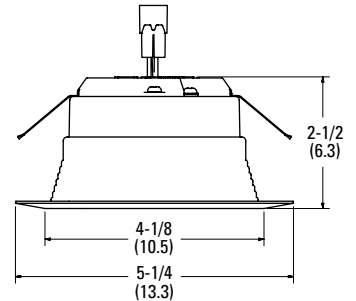
4BE

4" LED Module

IC/Non-IC
Retrofit



E26 adaptor (included)



Specifications

Aperture: 4-1/8 (10.5)

Ceiling opening: Determined by rough-in

Overlap trim: 5-1/4 (13.3)

Height: 2-1/2 (6.3)

All dimensions are inches (centimeters) unless otherwise indicated.

ORDERING INFORMATION

All configurations of this product are considered "standard" and have short lead times.

Example: 4BEMW LED 27K 90CRI L3LED T24

Series/Finish	LED	CCT / W / Lumens ¹	CRI	Voltage	Housing Options
4BEMW 4" Baffle LED module, matte white	LED	27K 2700K / 9.8W / 650L	90CRI 90CRI	(blank) 120V	L3LED T24 4" new construction rough-in LED base
		30K 3000K / 9.8W / 700L			L3RLED T24 4" remodel rough-in LED base
		35K 3500K / 10W / 700L			L3 4" new construction rough-in ²
		40K 4000K / 9.8W / 720L			L3R 4" remodel rough-in ²
		50K 5000K / 9.8W / 700L			

Notes

- Total system delivered lumens.
- Must be ordered on a separate line.

4" LED Module

PHOTOMETRICS

Distribution Curve	Distribution Data	Output Data	Coefficient of Utilization	Illuminance Data at 30" Above Floor for a Single Luminaire
--------------------	-------------------	-------------	----------------------------	--

4BEMW LED, 27K, input watts: 9.8, delivered lumens: 656, LM/W = 66, test no. ISF 35431, tested in accordance with IESNA LM 79-08

Distribution Curve	Ave Lumens			Zone Lumens % Lamp			pf pc pw	80%			20%			50%			50% beam - 59.8°	10% beam - 100.2°
	Ave	Lumens		Zone	Lumens	% Lamp		50%	30%	10%	50%	30%	10%	50%	30%	10%		
	0°-30°	0°-40°	0°-60°	0°-90°	90°-120°	90°-130°		90°-150°	90°-180°	0°-180°	*Efficiency	0°-30°	0°-40°	0°-60°	0°-90°	90°-120°		
	0	330		0°-30°	246.3	37.6	0	119	119	119	116	116	116	111	111	111		
	5	329	31	0°-40°	385.5	58.8	1	107	103	100	105	101	99	100	98	95		
	15	312	88	0°-60°	591.1	90.1	2	95	90	85	94	88	84	90	86	82		
	25	278	127	0°-90°	655.8	100.0	3	86	79	73	84	78	72	81	76	71		
	35	224	139	90°-120°	0.0	0.0	4	77	69	63	76	69	63	73	67	62		
	45	158	122	90°-130°	0.0	0.0	5	70	62	56	69	61	56	67	60	55		
	55	94	84	90°-150°	0.0	0.0	6	64	55	50	63	55	49	61	54	49		
	65	41	42	90°-180°	0.0	0.0	7	58	50	45	57	50	44	56	49	44		
	75	16	18	0°-180°	655.8	*100.0	8	53	46	40	53	45	40	51	45	40		
	85	5	5				9	49	42	37	49	41	37	48	41	36		
	90	0					10	46	38	33	45	38	33	44	38	33		

Initial FC		50% beam - 59.8°		10% beam - 100.2°	
Mounting Height	Center Beam	Diameter	FC	Diameter	FC
8.0	10.9	6.3	5.5	13.1	1.1
10.0	5.9	8.6	2.9	17.9	0.6
12.0	3.7	10.9	1.8	22.7	0.4
14.0	2.5	13.2	1.2	27.5	0.2
16.0	1.8	15.5	0.9	32.3	0.2

4BEMW LED, 30K, input watts: 9.8, delivered lumens: 706, LM/W = 71, test no. ISF 35431P1, tested in accordance with IESNA LM 79-08

Distribution Curve	Ave Lumens			Zone Lumens % Lamp			pf pc pw	80%			20%			50%			50% beam - 59.8°	10% beam - 100.2°
	Ave	Lumens		Zone	Lumens	% Lamp		50%	30%	10%	50%	30%	10%	50%	30%	10%		
	0°-30°	0°-40°	0°-60°	0°-90°	90°-120°	90°-130°		90°-150°	90°-180°	0°-180°	*Efficiency	0°-30°	0°-40°	0°-60°	0°-90°	90°-120°		
	0	355		0°-30°	265.3	37.6	0	119	119	119	116	116	116	111	111	111		
	5	355	34	0°-40°	415.1	58.8	1	107	103	100	105	101	99	100	98	95		
	15	336	95	0°-60°	636.5	90.1	2	95	90	85	94	88	84	90	86	82		
	25	299	137	0°-90°	706.3	100.0	3	86	79	73	84	78	72	81	76	71		
	35	241	150	90°-120°	0.0	0.0	4	77	69	63	76	69	63	73	67	62		
	45	170	131	90°-130°	0.0	0.0	5	70	62	56	69	61	56	67	60	55		
	55	101	90	90°-150°	0.0	0.0	6	64	55	50	63	55	49	61	54	49		
	65	44	45	90°-180°	0.0	0.0	7	58	50	45	57	50	44	56	49	44		
	75	17	19	0°-180°	706.3	*100.0	8	53	46	40	53	45	40	51	45	40		
	85	5	6				9	49	42	37	49	41	37	48	41	36		
	90	0					10	46	38	33	45	38	33	44	38	33		

Initial FC		50% beam - 59.8°		10% beam - 100.2°	
Mounting Height	Center Beam	Diameter	FC	Diameter	FC
8.0	11.7	6.3	5.9	13.1	1.2
10.0	6.3	8.6	3.2	17.9	0.6
12.0	3.9	10.9	2.0	22.7	0.4
14.0	2.7	13.2	1.3	27.5	0.3
16.0	1.9	15.5	1.0	32.3	0.2

4BEMW LED, 35K, input watts: 9.8, delivered lumens: 706, LM/W = 70, test no. ISF 35431P2, tested in accordance with IESNA LM 79-08

Distribution Curve	Ave Lumens			Zone Lumens % Lamp			pf pc pw	80%			20%			50%			50% beam - 59.8°	10% beam - 100.2°
	Ave	Lumens		Zone	Lumens	% Lamp		50%	30%	10%	50%	30%	10%	50%	30%	10%		
	0°-30°	0°-40°	0°-60°	0°-90°	90°-120°	90°-130°		90°-150°	90°-180°	0°-180°	*Efficiency	0°-30°	0°-40°	0°-60°	0°-90°	90°-120°		
	0	355		0°-30°	265.3	37.6	0	119	119	119	116	116	116	111	111	111		
	5	355	34	0°-40°	415.1	58.8	1	107	103	100	105	101	99	100	98	95		
	15	336	95	0°-60°	636.5	90.1	2	95	90	85	94	88	84	90	86	82		
	25	299	137	0°-90°	706.3	100.0	3	86	79	73	84	78	72	81	76	71		
	35	241	150	90°-120°	0.0	0.0	4	77	69	63	76	69	63	73	67	62		
	45	170	131	90°-130°	0.0	0.0	5	70	62	56	69	61	56	67	60	55		
	55	101	90	90°-150°	0.0	0.0	6	64	55	50	63	55	49	61	54	49		
	65	44	45	90°-180°	0.0	0.0	7	58	50	45	57	50	44	56	49	44		
	75	17	19	0°-180°	706.3	*100.0	8	53	46	40	53	45	40	51	45	40		
	85	5	6				9	49	42	37	49	41	37	48	41	36		
	90	0					10	46	38	33	45	38	33	44	38	33		

Initial FC		50% beam - 59.8°		10% beam - 100.2°	
Mounting Height	Center Beam	Diameter	FC	Diameter	FC
8.0	11.7	6.3	5.9	13.1	1.2
10.0	6.3	8.6	3.2	17.9	0.6
12.0	3.9	10.9	2.0	22.7	0.4
14.0	2.7	13.2	1.3	27.5	0.3
16.0	1.9	15.5	1.0	32.3	0.2

4BEMW LED, 40K, input watts: 9.8, delivered lumens: 727, LM/W = 73, test no. ISF 35431P3, tested in accordance with IESNA LM 79-08

Distribution Curve	Ave Lumens			Zone Lumens % Lamp			pf pc pw	80%			20%			50%			50% beam - 59.8°	10% beam - 100.2°
	Ave	Lumens		Zone	Lumens	% Lamp		50%	30%	10%	50%	30%	10%	50%	30%	10%		
	0°-30°	0°-40°	0°-60°	0°-90°	90°-120°	90°-130°		90°-150°	90°-180°	0°-180°	*Efficiency	0°-30°	0°-40°	0°-60°	0°-90°	90°-120°		
	0	366		0°-30°	272.8	37.6	0	119	119	119	116	116	116	111	111	111		
	5	365	35	0°-40°	427.0	58.8	1	107	103	100	105	101	99	100	98	95		
	15	346	97	0°-60°	654.7	90.1	2	95	90	85	94	88	84	90	86	82		
	25	308	141	0°-90°	726.5	100.0	3	86	79	73	84	78	72	81	76	71		
	35	248	154	90°-120°	0.0	0.0	4	77	69	63	76	69	63	73	67	62		
	45	175	135	90°-130°	0.0	0.0	5	70	62	56	69	61	56	67	60	55		
	55	104	93	90°-150°	0.0	0.0	6	64	55	50	63	55	49	61	54	49		
	65	46	46	90°-180°	0.0	0.0	7	58	50	45	57	50	44	56	49	44		
	75	18	20	0°-180°	726.5	*100.0	8	53	46	40	53	45	40	51	45	40		
	85	5	6				9	49	42	37	49	41	37	48	41	36		
	90	0					10	46	38	33	45	38	33	44	38	33		

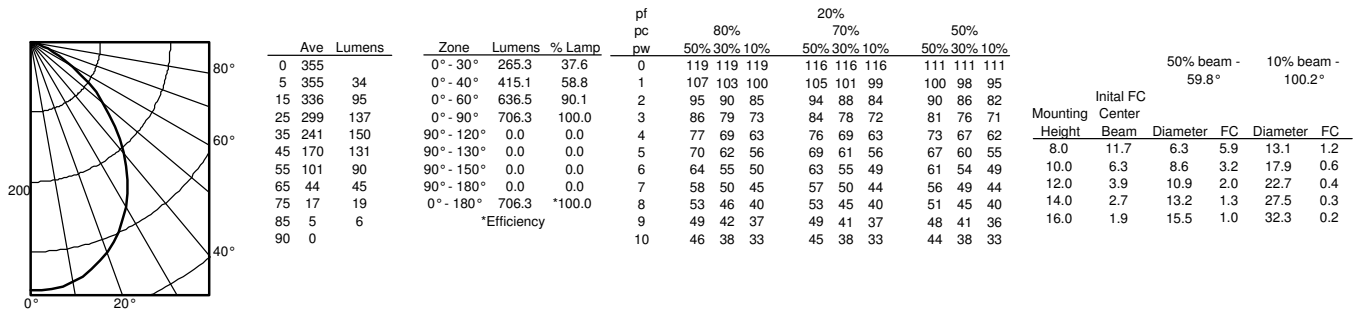
Initial FC		50% beam - 59.8°		10% beam - 100.2°	
Mounting Height	Center Beam	Diameter	FC	Diameter	FC
8.0	12.1	6.3	6.0	13.1	1.2
10.0	6.5	8.6	3.3	17.9	0.6
12.0	4.1	10.9	2.0	22.7	0.4
14.0	2.8	13.2	1.4	27.5	0.3
16.0	2.0	15.5	1.0	32.3	0.2

4" LED Module

PHOTOMETRICS

Distribution Curve	Distribution Data	Output Data	Coefficient of Utilization	Illuminance Data at 30" Above Floor for a Single Luminaire
--------------------	-------------------	-------------	----------------------------	--

4BEMW LED, 50K, input watts: 9.8, delivered lumens: 706, LM/W = 71, test no. ISF 35431P4, tested in accordance with IESNA LM 79-08



ADDITIONAL DATA 4BEMW LED 27K

4" ENERGY DATA	
Lumens	650
Color Temperature	2700K
CRI	90
Lu/Watts	65
Operating temp	-20°C (-4°F) to 40°C (104°F)
EMI/RFI	FCC Title 47 CFR, Part 15, Class B
Sound rating	Class A Standards
Input voltage	120V
Min. power factor	0.99
Input frequency	50/60 Hz
Rated wattage	9.8W
Input power	9.8W
Input current	0.08A

ADDITIONAL DATA 4BEMW LED 30K

4" ENERGY DATA	
Lumens	700
Color Temperature	3000K
CRI	90
Lu/Watts	70
Operating temp	-20°C (-4°F) to 40°C (104°F)
EMI/RFI	FCC Title 47 CFR, Part 15, Class B
Sound rating	Class A Standards
Input voltage	120V
Min. power factor	0.99
Input frequency	50/60 Hz
Rated wattage	9.8W
Input power	9.8W
Input current	0.08A

ADDITIONAL DATA 4BEMW LED 35K

4" ENERGY DATA	
Lumens	700
Color Temperature	3500K
CRI	90
Lu/Watts	70
Operating temp	-20°C (-4°F) to 40°C (104°F)
EMI/RFI	FCC Title 47 CFR, Part 15, Class B
Sound rating	Class A Standards
Input voltage	120V
Min. power factor	0.99
Input frequency	50/60 Hz
Rated wattage	10W
Input power	10W
Input current	0.08A

ADDITIONAL DATA 4BEMW LED 40K

4" ENERGY DATA	
Lumens	720
Color Temperature	4000K
CRI	90
Lu/Watts	70
Operating temp	-20°C (-4°F) to 40°C (104°F)
EMI/RFI	FCC Title 47 CFR, Part 15, Class B
Sound rating	Class A Standards
Input voltage	120V
Min. power factor	0.99
Input frequency	50/60 Hz
Rated wattage	9.8W
Input power	9.8W
Input current	0.08A

ADDITIONAL DATA 4BEMW LED 50K

4" ENERGY DATA	
Lumens	700
Color Temperature	5000K
CRI	90
Lu/Watts	70
Operating temp	-20°C (-4°F) to 40°C (104°F)
EMI/RFI	FCC Title 47 CFR, Part 15, Class B
Sound rating	Class A Standards
Input voltage	120V
Min. power factor	0.99
Input frequency	50/60 Hz
Rated wattage	9.8W
Input power	9.8W
Input current	0.08A

4" LED Module

LIGHTING FACTS

Lithonia Lighting

LED lighting facts
A Program of the U.S. DOE

Light Output (Lumens)	650
Watts	9.8
Lumens per Watt (Efficacy)	66.33

Color Accuracy Color Rendering Index (CRI)	90
---	----

Light Color
Correlated Color Temperature (CCT) **2700 (Warm White)**

2700K 3000K 4500K 6500K

Warm White Bright White Daylight

All results are according to IESNA LM-79-2008: Approved Method for the Electrical and Photometric Testing of Solid-State Lighting. The U.S. Department of Energy (DOE) verifies product test data and results.

Visit www.lightingfacts.com for the Label Reference Guide.

Registration Number: NJSM-XGPZKE (8/15/2017)
Model Number: 4BEMW LED 27K 90CRI
Type: Retrofit Kit - Downlight

Lithonia Lighting

LED lighting facts
A Program of the U.S. DOE

Light Output (Lumens)	700
Watts	9.8
Lumens per Watt (Efficacy)	71.43

Color Accuracy Color Rendering Index (CRI)	90
---	----

Light Color
Correlated Color Temperature (CCT) **3000 (Bright White)**

2700K 3000K 4500K 6500K

Warm White Bright White Daylight

All results are according to IESNA LM-79-2008: Approved Method for the Electrical and Photometric Testing of Solid-State Lighting. The U.S. Department of Energy (DOE) verifies product test data and results.

Visit www.lightingfacts.com for the Label Reference Guide.

Registration Number: NJSM-8GUVZR (8/15/2017)
Model Number: 4BEMW LED 30K 90CRI
Type: Retrofit Kit - Downlight

Lithonia Lighting

LED lighting facts
A Program of the U.S. DOE

Light Output (Lumens)	700
Watts	10
Lumens per Watt (Efficacy)	70

Color Accuracy Color Rendering Index (CRI)	90
---	----

Light Color
Correlated Color Temperature (CCT) **3500 (Bright White)**

2700K 3000K 4500K 6500K

Warm White Bright White Daylight

All results are according to IESNA LM-79-2008: Approved Method for the Electrical and Photometric Testing of Solid-State Lighting. The U.S. Department of Energy (DOE) verifies product test data and results.

Visit www.lightingfacts.com for the Label Reference Guide.

Registration Number: NJSM-1CP6JZ (10/11/2017)
Model Number: 4BEMW LED 35K 90CRI
Type: Retrofit Kit - Downlight

Lithonia Lighting

LED lighting facts
A Program of the U.S. DOE

Light Output (Lumens)	720
Watts	9.8
Lumens per Watt (Efficacy)	73.47

Color Accuracy Color Rendering Index (CRI)	90
---	----

Light Color
Correlated Color Temperature (CCT) **4000 (Bright White)**

2700K 3000K 4500K 6500K

Warm White Bright White Daylight

All results are according to IESNA LM-79-2008: Approved Method for the Electrical and Photometric Testing of Solid-State Lighting. The U.S. Department of Energy (DOE) verifies product test data and results.

Visit www.lightingfacts.com for the Label Reference Guide.

Registration Number: NJSM-PXFAGJ (8/15/2017)
Model Number: 4BEMW LED 40K 90CRI
Type: Retrofit Kit - Downlight

Lithonia Lighting

LED lighting facts
A Program of the U.S. DOE

Light Output (Lumens)	700
Watts	9.8
Lumens per Watt (Efficacy)	71.43

Color Accuracy Color Rendering Index (CRI)	90
---	----

Light Color
Correlated Color Temperature (CCT) **5000 (Daylight)**

2700K 3000K 4500K 6500K

Warm White Bright White Daylight

All results are according to IESNA LM-79-2008: Approved Method for the Electrical and Photometric Testing of Solid-State Lighting. The U.S. Department of Energy (DOE) verifies product test data and results.

Visit www.lightingfacts.com for the Label Reference Guide.

Registration Number: NJSM-MNS6D7 (8/15/2017)
Model Number: 4BEMW LED 50K 90CRI
Type: Retrofit Kit - Downlight

FEATURES & SPECIFICATIONS

INTENDED USE — Our recessed LED module is the most economical means to create a well lit environment with exceptional energy efficiency and near zero maintenance. Great for retrofit into existing downlight cans or new construction and remodel applications. Compliant friction clip retention allows fitment into nearly 100% of installed cans. The LED module maintains at least 70% light output for 35,000 hours. Indoor and Outdoor Use.

CONSTRUCTION — Aluminum spun reflector with deep baffle configuration for reduced glare. Combined LED and driver printed circuit board attached. Inner reflector cone funnels light through the pressed-in diffused lens.

OPTICS — Diffused lens at end of mixing chamber to provide even light distribution for general illumination, equivalent to 65W BR30 Lamp.

Wide flood beam angle at > 45°.

ELECTRICAL — Center 2 Edge™ (patent pending) technology created for a single point source. Primary power disconnect provided for simple connection to a dedicated LED connector in the housing.

Dimming down to 10%. For compatible dimmers, refer to [Compatible Dimmers Chart](#).

700-lumen E series has an input wattage of 10 watts, 70 lumens per watt, equivalent to 65-watt incandescent.

E Series' patent pending driver has zero inrush which allows power loads to be calculated with actual rated wattages.

Example: 60 units of 4BEMW LED fixtures can be installed in line with a 600-watt dimmer. 600W/10W = 60 fixtures.

INSTALLATION — Suitable for installation in standard height rough-in sections.

E26 socket adaptor and ships standard.

Friction clips allow fitment into cans with an inside diameter of 4.0" to 4.5".

LISTINGS — CSA certified to US and Canadian safety standards. ENERGY STAR® certified. Can be used to comply with California Title 24 Part 6 High Efficacy LED Light Source Requirements. Wet location listed. WSEC ASTM E283 for Air-Tight (with IC housings).

WARRANTY — 5-year limited warranty. Complete warranty terms located at www.acuitybrands.com/CustomResources/Terms_and_conditions.aspx

NOTE: Actual performance may differ as a result of end-user environment and application. All values are design or typical values, measured under laboratory conditions at 25°C. Specifications subject to change without notice.

PATENTS PENDING.

Catalog Number
Notes
Type



LED Recessed Downlighting

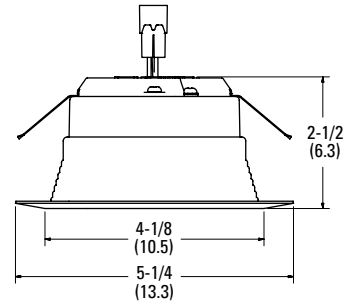
4BE

4" LED Module

IC/Non-IC
Retrofit



E26 adaptor (included)



Specifications

Aperture: 4-1/8 (10.5)

Ceiling opening: Determined by rough-in

Overlap trim: 5-1/4 (13.3)

Height: 2-1/2 (6.3)

All dimensions are inches (centimeters) unless otherwise indicated.

ORDERING INFORMATION

All configurations of this product are considered "standard" and have short lead times.

Example: 4BEMW LED 27K 90CRI L3LED T24

Series/Finish	LED	CCT / W / Lumens ¹	CRI	Voltage	Housing Options
4BEMW 4" Baffle LED module, matte white	LED	27K 2700K / 9.8W / 650L	90CRI 90CRI	(blank) 120V	L3LED T24 4" new construction rough-in LED base
		30K 3000K / 9.8W / 700L			L3RLED T24 4" remodel rough-in LED base
		35K 3500K / 10W / 700L			L3 4" new construction rough-in ²
		40K 4000K / 9.8W / 720L			L3R 4" remodel rough-in ²
		50K 5000K / 9.8W / 700L			

Notes

- Total system delivered lumens.
- Must be ordered on a separate line.

4" LED Module

PHOTOMETRICS

Distribution Curve	Distribution Data	Output Data	Coefficient of Utilization	Illuminance Data at 30" Above Floor for a Single Luminaire
--------------------	-------------------	-------------	----------------------------	--

4BEMW LED, 27K, input watts: 9.8, delivered lumens: 656, LM/W = 66, test no. ISF 35431, tested in accordance with IESNA LM 79-08

Distribution Curve	Ave Lumens			Zone Lumens % Lamp			pf pc pw	80%			20%			50%			50% beam - 59.8°	10% beam - 100.2°
	Ave	Lumens		Zone	Lumens	% Lamp		50%	30%	10%	50%	30%	10%	50%	30%	10%		
	0	330		0° - 30°	246.3	37.6		0	119	119	119	116	116	116	111	111		
	5	329	31	0° - 40°	385.5	58.8	1	107	103	100	105	101	99	100	98	95		
	15	312	88	0° - 60°	591.1	90.1	2	95	90	85	94	88	84	90	86	82		
	25	278	127	0° - 90°	655.8	100.0	3	86	79	73	84	78	72	81	76	71		
	35	224	139	90° - 120°	0.0	0.0	4	77	69	63	76	69	63	73	67	62		
	45	158	122	90° - 130°	0.0	0.0	5	70	62	56	69	61	56	67	60	55		
	55	94	84	90° - 150°	0.0	0.0	6	64	55	50	63	55	49	61	54	49		
	65	41	42	90° - 180°	0.0	0.0	7	58	50	45	57	50	44	56	49	44		
	75	16	18	0° - 180°	655.8	*100.0	8	53	46	40	53	45	40	51	45	40		
	85	5	5				9	49	42	37	49	41	37	48	41	36		
	90	0					10	46	38	33	45	38	33	44	38	33		

Initial FC		50% beam - 59.8°		10% beam - 100.2°	
Mounting Height	Center Beam	Diameter	FC	Diameter	FC
8.0	10.9	6.3	5.5	13.1	1.1
10.0	5.9	8.6	2.9	17.9	0.6
12.0	3.7	10.9	1.8	22.7	0.4
14.0	2.5	13.2	1.2	27.5	0.2
16.0	1.8	15.5	0.9	32.3	0.2

4BEMW LED, 30K, input watts: 9.8, delivered lumens: 706, LM/W = 71, test no. ISF 35431P1, tested in accordance with IESNA LM 79-08

Distribution Curve	Ave Lumens			Zone Lumens % Lamp			pf pc pw	80%			20%			50%			50% beam - 59.8°	10% beam - 100.2°
	Ave	Lumens		Zone	Lumens	% Lamp		50%	30%	10%	50%	30%	10%	50%	30%	10%		
	0	355		0° - 30°	265.3	37.6		0	119	119	119	116	116	116	111	111		
	5	355	34	0° - 40°	415.1	58.8	1	107	103	100	105	101	99	100	98	95		
	15	336	95	0° - 60°	636.5	90.1	2	95	90	85	94	88	84	90	86	82		
	25	299	137	0° - 90°	706.3	100.0	3	86	79	73	84	78	72	81	76	71		
	35	241	150	90° - 120°	0.0	0.0	4	77	69	63	76	69	63	73	67	62		
	45	170	131	90° - 130°	0.0	0.0	5	70	62	56	69	61	56	67	60	55		
	55	101	90	90° - 150°	0.0	0.0	6	64	55	50	63	55	49	61	54	49		
	65	44	45	90° - 180°	0.0	0.0	7	58	50	45	57	50	44	56	49	44		
	75	17	19	0° - 180°	706.3	*100.0	8	53	46	40	53	45	40	51	45	40		
	85	5	6				9	49	42	37	49	41	37	48	41	36		
	90	0					10	46	38	33	45	38	33	44	38	33		

Initial FC		50% beam - 59.8°		10% beam - 100.2°	
Mounting Height	Center Beam	Diameter	FC	Diameter	FC
8.0	11.7	6.3	5.9	13.1	1.2
10.0	6.3	8.6	3.2	17.9	0.6
12.0	3.9	10.9	2.0	22.7	0.4
14.0	2.7	13.2	1.3	27.5	0.3
16.0	1.9	15.5	1.0	32.3	0.2

4BEMW LED, 35K, input watts: 9.8, delivered lumens: 706, LM/W = 70, test no. ISF 35431P2, tested in accordance with IESNA LM 79-08

Distribution Curve	Ave Lumens			Zone Lumens % Lamp			pf pc pw	80%			20%			50%			50% beam - 59.8°	10% beam - 100.2°
	Ave	Lumens		Zone	Lumens	% Lamp		50%	30%	10%	50%	30%	10%	50%	30%	10%		
	0	355		0° - 30°	265.3	37.6		0	119	119	119	116	116	116	111	111		
	5	355	34	0° - 40°	415.1	58.8	1	107	103	100	105	101	99	100	98	95		
	15	336	95	0° - 60°	636.5	90.1	2	95	90	85	94	88	84	90	86	82		
	25	299	137	0° - 90°	706.3	100.0	3	86	79	73	84	78	72	81	76	71		
	35	241	150	90° - 120°	0.0	0.0	4	77	69	63	76	69	63	73	67	62		
	45	170	131	90° - 130°	0.0	0.0	5	70	62	56	69	61	56	67	60	55		
	55	101	90	90° - 150°	0.0	0.0	6	64	55	50	63	55	49	61	54	49		
	65	44	45	90° - 180°	0.0	0.0	7	58	50	45	57	50	44	56	49	44		
	75	17	19	0° - 180°	706.3	*100.0	8	53	46	40	53	45	40	51	45	40		
	85	5	6				9	49	42	37	49	41	37	48	41	36		
	90	0					10	46	38	33	45	38	33	44	38	33		

Initial FC		50% beam - 59.8°		10% beam - 100.2°	
Mounting Height	Center Beam	Diameter	FC	Diameter	FC
8.0	11.7	6.3	5.9	13.1	1.2
10.0	6.3	8.6	3.2	17.9	0.6
12.0	3.9	10.9	2.0	22.7	0.4
14.0	2.7	13.2	1.3	27.5	0.3
16.0	1.9	15.5	1.0	32.3	0.2

4BEMW LED, 40K, input watts: 9.8, delivered lumens: 727, LM/W = 73, test no. ISF 35431P3, tested in accordance with IESNA LM 79-08

Distribution Curve	Ave Lumens			Zone Lumens % Lamp			pf pc pw	80%			20%			50%			50% beam - 59.8°	10% beam - 100.2°
	Ave	Lumens		Zone	Lumens	% Lamp		50%	30%	10%	50%	30%	10%	50%	30%	10%		
	0	366		0° - 30°	272.8	37.6		0	119	119	119	116	116	116	111	111		
	5	365	35	0° - 40°	427.0	58.8	1	107	103	100	105	101	99	100	98	95		
	15	346	97	0° - 60°	654.7	90.1	2	95	90	85	94	88	84	90	86	82		
	25	308	141	0° - 90°	726.5	100.0	3	86	79	73	84	78	72	81	76	71		
	35	248	154	90° - 120°	0.0	0.0	4	77	69	63	76	69	63	73	67	62		
	45	175	135	90° - 130°	0.0	0.0	5	70	62	56	69	61	56	67	60	55		
	55	104	93	90° - 150°	0.0	0.0	6	64	55	50	63	55	49	61	54	49		
	65	46	46	90° - 180°	0.0	0.0	7	58	50	45	57	50	44	56	49	44		
	75	18	20	0° - 180°	726.5	*100.0	8	53	46	40	53	45	40	51	45	40		
	85	5	6				9	49	42	37	49	41	37	48	41	36		
	90	0					10	46	38	33	45	38	33	44	38	33		

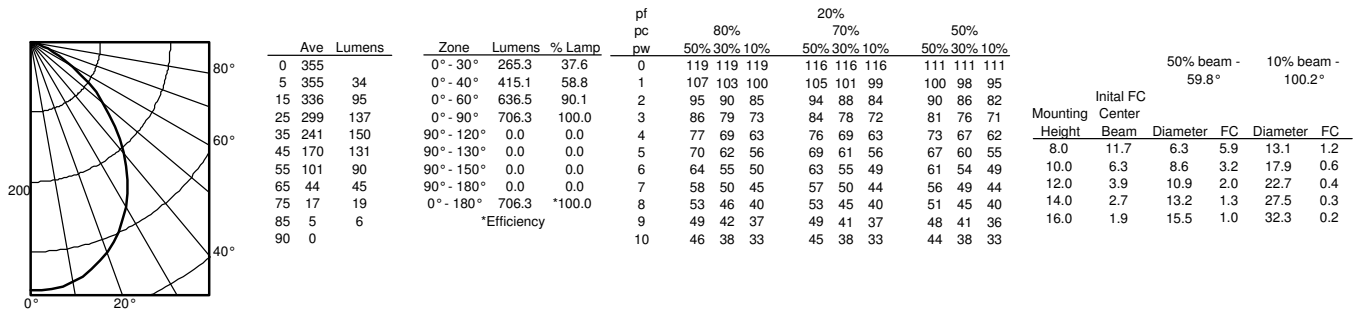
Initial FC		50% beam - 59.8°		10% beam - 100.2°	
Mounting Height	Center Beam	Diameter	FC	Diameter	FC
8.0	12.1	6.3	6.0	13.1	1.2
10.0	6.5	8.6	3.3	17.9	0.6
12.0	4.1	10.9	2.0	22.7	0.4
14.0	2.8	13.2	1.4	27.5	0.3
16.0	2.0	15.5	1.0	32.3	0.2

4" LED Module

PHOTOMETRICS

Distribution Curve	Distribution Data	Output Data	Coefficient of Utilization	Illuminance Data at 30" Above Floor for a Single Luminaire
--------------------	-------------------	-------------	----------------------------	--

4BEMW LED, 50K, input watts: 9.8, delivered lumens: 706, LM/W = 71, test no. ISF 35431P4, tested in accordance with IESNA LM 79-08



ADDITIONAL DATA 4BEMW LED 27K

4" ENERGY DATA	
Lumens	650
Color Temperature	2700K
CRI	90
Lu/Watts	65
Operating temp	-20°C (-4°F) to 40°C (104°F)
EMI/RFI	FCC Title 47 CFR, Part 15, Class B
Sound rating	Class A Standards
Input voltage	120V
Min. power factor	0.99
Input frequency	50/60 Hz
Rated wattage	9.8W
Input power	9.8W
Input current	0.08A

ADDITIONAL DATA 4BEMW LED 30K

4" ENERGY DATA	
Lumens	700
Color Temperature	3000K
CRI	90
Lu/Watts	70
Operating temp	-20°C (-4°F) to 40°C (104°F)
EMI/RFI	FCC Title 47 CFR, Part 15, Class B
Sound rating	Class A Standards
Input voltage	120V
Min. power factor	0.99
Input frequency	50/60 Hz
Rated wattage	9.8W
Input power	9.8W
Input current	0.08A

ADDITIONAL DATA 4BEMW LED 35K

4" ENERGY DATA	
Lumens	700
Color Temperature	3500K
CRI	90
Lu/Watts	70
Operating temp	-20°C (-4°F) to 40°C (104°F)
EMI/RFI	FCC Title 47 CFR, Part 15, Class B
Sound rating	Class A Standards
Input voltage	120V
Min. power factor	0.99
Input frequency	50/60 Hz
Rated wattage	10W
Input power	10W
Input current	0.08A

ADDITIONAL DATA 4BEMW LED 40K

4" ENERGY DATA	
Lumens	720
Color Temperature	4000K
CRI	90
Lu/Watts	70
Operating temp	-20°C (-4°F) to 40°C (104°F)
EMI/RFI	FCC Title 47 CFR, Part 15, Class B
Sound rating	Class A Standards
Input voltage	120V
Min. power factor	0.99
Input frequency	50/60 Hz
Rated wattage	9.8W
Input power	9.8W
Input current	0.08A

ADDITIONAL DATA 4BEMW LED 50K

4" ENERGY DATA	
Lumens	700
Color Temperature	5000K
CRI	90
Lu/Watts	70
Operating temp	-20°C (-4°F) to 40°C (104°F)
EMI/RFI	FCC Title 47 CFR, Part 15, Class B
Sound rating	Class A Standards
Input voltage	120V
Min. power factor	0.99
Input frequency	50/60 Hz
Rated wattage	9.8W
Input power	9.8W
Input current	0.08A

4" LED Module

LIGHTING FACTS

LED lighting facts
A Program of the U.S. DOE

Light Output (Lumens) **650**
Watts **9.8**
Lumens per Watt (Efficacy) **66.33**

Color Accuracy
Color Rendering Index (CRI) **90**

Light Color
Correlated Color Temperature (CCT) **2700 (Warm White)**

2700K 3000K 4500K 6500K

All results are according to IESNA LM-79-2008: Approved Method for the Electrical and Photometric Testing of Solid-State Lighting. The U.S. Department of Energy (DOE) verifies product test data and results.

Visit www.lightingfacts.com for the Label Reference Guide.

Registration Number: NJSM-XGPZKE (8/15/2017)
Model Number: 4BEMW LED 27K 90CRI
Type: Retrofit Kit - Downlight

LED lighting facts
A Program of the U.S. DOE

Light Output (Lumens) **700**
Watts **9.8**
Lumens per Watt (Efficacy) **71.43**

Color Accuracy
Color Rendering Index (CRI) **90**

Light Color
Correlated Color Temperature (CCT) **3000 (Bright White)**

2700K 3000K 4500K 6500K

All results are according to IESNA LM-79-2008: Approved Method for the Electrical and Photometric Testing of Solid-State Lighting. The U.S. Department of Energy (DOE) verifies product test data and results.

Visit www.lightingfacts.com for the Label Reference Guide.

Registration Number: NJSM-8GUVZR (8/15/2017)
Model Number: 4BEMW LED 30K 90CRI
Type: Retrofit Kit - Downlight

LED lighting facts
A Program of the U.S. DOE

Light Output (Lumens) **700**
Watts **10**
Lumens per Watt (Efficacy) **70**

Color Accuracy
Color Rendering Index (CRI) **90**

Light Color
Correlated Color Temperature (CCT) **3500 (Bright White)**

2700K 3000K 4500K 6500K

All results are according to IESNA LM-79-2008: Approved Method for the Electrical and Photometric Testing of Solid-State Lighting. The U.S. Department of Energy (DOE) verifies product test data and results.

Visit www.lightingfacts.com for the Label Reference Guide.

Registration Number: NJSM-1CP6JZ (10/11/2017)
Model Number: 4BEMW LED 35K 90CRI
Type: Retrofit Kit - Downlight

LED lighting facts
A Program of the U.S. DOE

Light Output (Lumens) **720**
Watts **9.8**
Lumens per Watt (Efficacy) **73.47**

Color Accuracy
Color Rendering Index (CRI) **90**

Light Color
Correlated Color Temperature (CCT) **4000 (Bright White)**

2700K 3000K 4500K 6500K

All results are according to IESNA LM-79-2008: Approved Method for the Electrical and Photometric Testing of Solid-State Lighting. The U.S. Department of Energy (DOE) verifies product test data and results.

Visit www.lightingfacts.com for the Label Reference Guide.

Registration Number: NJSM-PXFAGJ (8/15/2017)
Model Number: 4BEMW LED 40K 90CRI
Type: Retrofit Kit - Downlight

LED lighting facts
A Program of the U.S. DOE

Light Output (Lumens) **700**
Watts **9.8**
Lumens per Watt (Efficacy) **71.43**

Color Accuracy
Color Rendering Index (CRI) **90**

Light Color
Correlated Color Temperature (CCT) **5000 (Daylight)**

2700K 3000K 4500K 6500K

All results are according to IESNA LM-79-2008: Approved Method for the Electrical and Photometric Testing of Solid-State Lighting. The U.S. Department of Energy (DOE) verifies product test data and results.

Visit www.lightingfacts.com for the Label Reference Guide.

Registration Number: NJSM-MNS6D7 (8/15/2017)
Model Number: 4BEMW LED 50K 90CRI
Type: Retrofit Kit - Downlight