



Catalog Number: 464-SC1
Item Description: N1 SCREW COVER ENCL
UPC Code: 784572107045

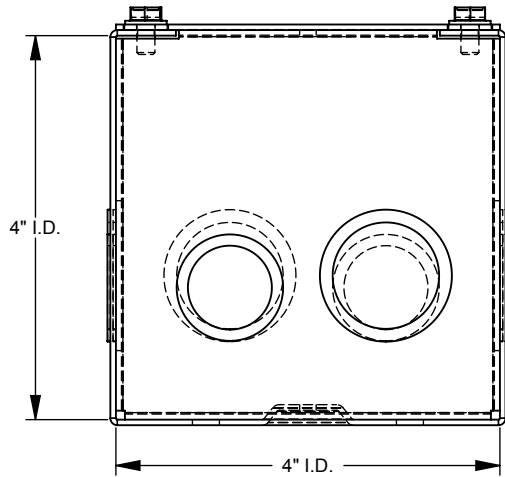
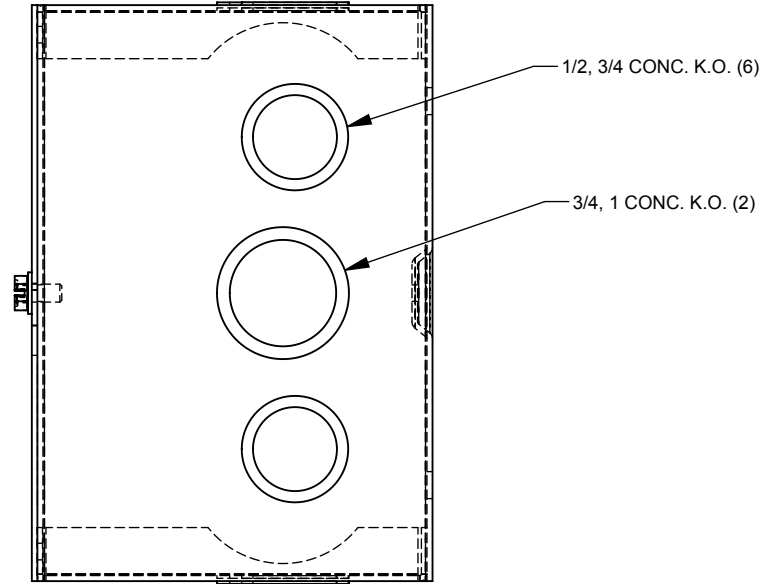
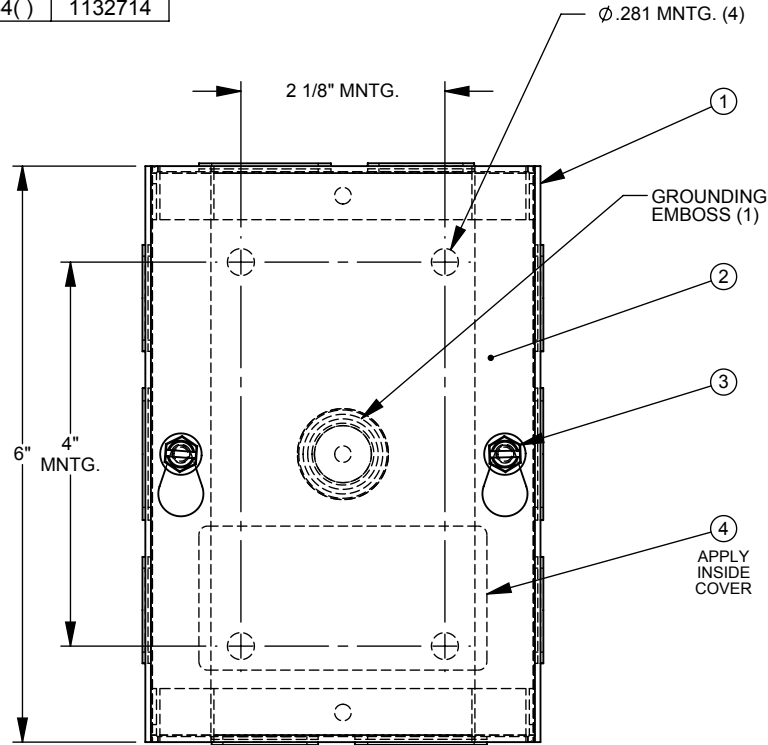
Brand Name: Milbank
Type: Screw Cover
Special Features: Cover Secured with Plated Screws
Application: Enclosure for Mounting Electrical Equipment
Standard: UL Listed
Number Of Outlet: 0
Material: Steel with Powder Coat Finish
Color: ANSI 61 Gray
Mounting: Wall Mount
NEMA Rating: Type 1



Utility requirements may vary. Always consult the serving utility for their requirements prior to ordering or installing this equipment. This product must always be installed by a licensed electrician. Installation of this equipment may require local electrical inspector approval.

CATALOG NO.	LABEL NO.
464-SC1-()	1002135
RC-464-SC1-()	1125021
SPSC-644()	1132714

ITEM	QTY.	PART NUMBER	DESCRIPTION
1	1	(SEE CHART)	BACK WELDMENT
2	1	(SEE CHART)	COVER PLATE
3	2	1001290	SCREW, 10-32 X 5/16
4	1	(SEE CHART)	LABEL (UL)
5	1	1002475	BAG ASSY (GROUND SCREW)
6	0.25	1002937	CARTON 4-PER (NOT SHOWN)


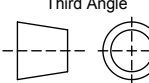


NOTES:
 1.) BAG ASSY TO BE SHIPPED INSIDE OF ENCLOSURE.

SUFFIX	FINISH	WELDMENT NO.	COVER NO.	INSTALL KOs
NONE	MILBANK LIGHT GRAY	1160105	1160109	YES
-NP	NONE	1160107	1160110	
-NK	MILBANK LIGHT GRAY	1160106	1160109	NO
-NK-NP	NONE	1160108	1160110	

NEMA DWG.: #102

REV.	DATE	DESCRIPTION	BY
E1	7/24/12	CHART VERSIONS (ECO #22677)	D.F.

Material:	16 GA. STEEL		 General Offices: Kansas City, MO
Shear/ Die#:			
Finish:	SEE CHART		Title:
Part Wt.:			SCREW COVER CAN 4 x 6 x 4 TYPE 1 ENCLOSURE
Tolerances: Unless Specified Otherwise X.X ±.1 X.XX ±.03 X.XXX ±.015 X* ±2*		Third Angle 	Catalog No.:
Scale:		NTS	SEE CHART
Drawn By:		D.F.	Customer:
Checked By:			EALER ELECTRIC
Approved By:			Drawing No.:
			1011144
		Date:	7/24/12
		Sheet	1 of 1



Catalog Number: 464-SC1
Item Description: N1 SCREW COVER ENCL
UPC Code: 784572107045

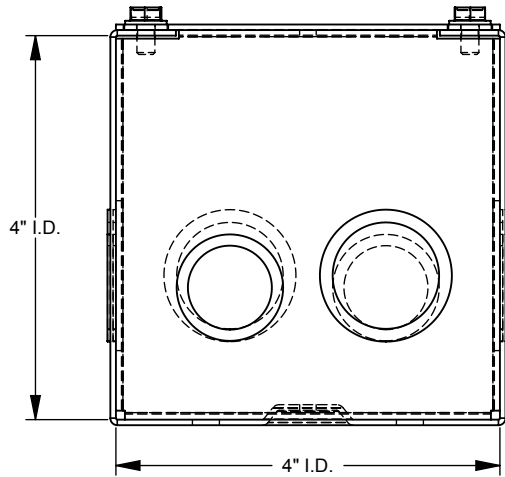
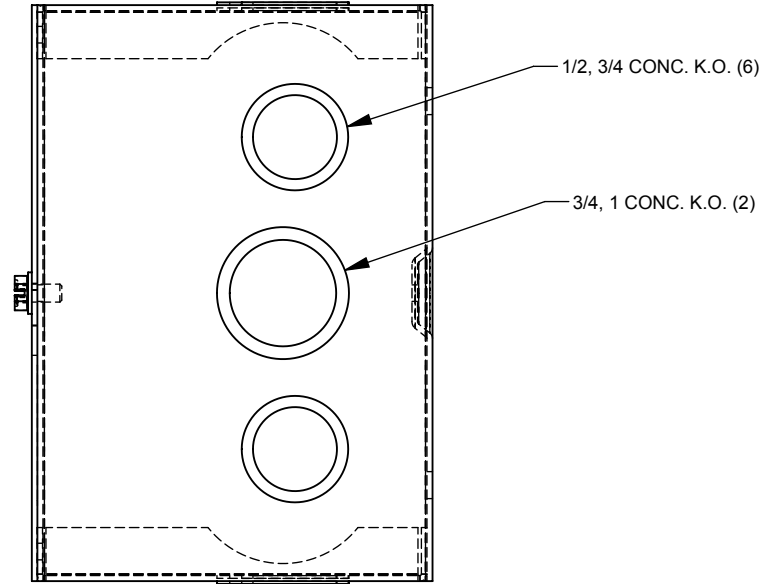
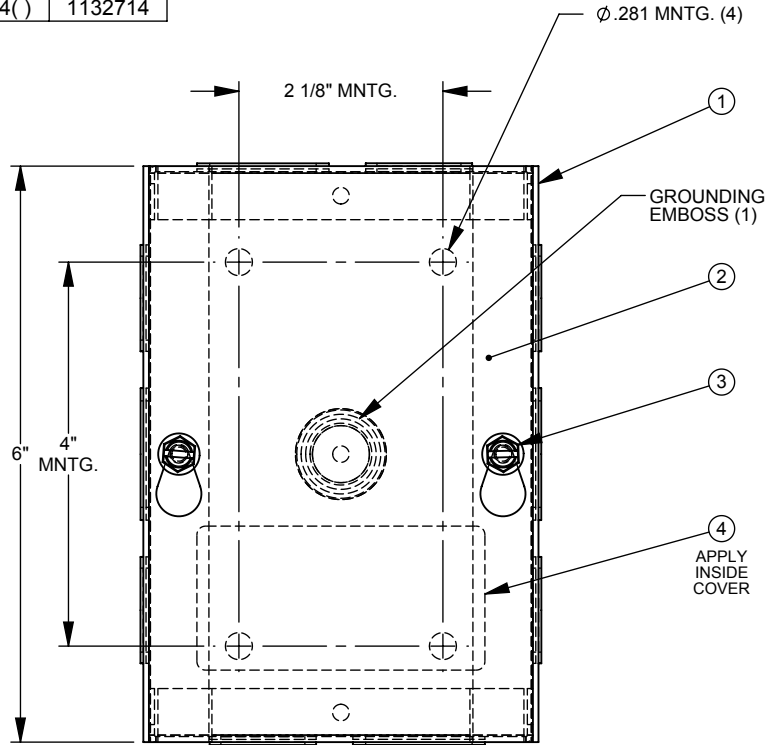
Brand Name: Milbank
Type: Screw Cover
Special Features: Cover Secured with Plated Screws
Application: Enclosure for Mounting Electrical Equipment
Standard: UL Listed
Number Of Outlet: 0
Material: Steel with Powder Coat Finish
Color: ANSI 61 Gray
Mounting: Wall Mount
NEMA Rating: Type 1



Utility requirements may vary. Always consult the serving utility for their requirements prior to ordering or installing this equipment. This product must always be installed by a licensed electrician. Installation of this equipment may require local electrical inspector approval.

CATALOG NO.	LABEL NO.
464-SC1-()	1002135
RC-464-SC1-()	1125021
SPSC-644()	1132714


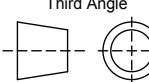
ITEM	QTY.	PART NUMBER	DESCRIPTION
1	1	(SEE CHART)	BACK WELDMENT
2	1	(SEE CHART)	COVER PLATE
3	2	1001290	SCREW, 10-32 X 5/16
4	1	(SEE CHART)	LABEL (UL)
5	1	1002475	BAG ASSY (GROUND SCREW)
6	0.25	1002937	CARTON 4-PER (NOT SHOWN)



NOTES:

- 1.) BAG ASSY TO BE SHIPPED INSIDE OF ENCLOSURE.

SUFFIX	FINISH	WELDMENT NO.	COVER NO.	INSTALL KOs
NONE	MILBANK LIGHT GRAY	1160105	1160109	YES
-NP	NONE	1160107	1160110	
-NK	MILBANK LIGHT GRAY	1160106	1160109	NO
-NK-NP	NONE	1160108	1160110	

Material:	16 GA. STEEL	 <p>General Offices: Kansas City, MO</p>	
Shear/ Die#:			
Finish:	SEE CHART	Title:	SCREW COVER CAN 4 x 6 x 4 TYPE 1 ENCLOSURE
Part Wt.:		Catalog No.:	SEE CHART
Tolerances: Unless Specified Otherwise X.X ±.1 X.XX ±.03 X.XXX ±.015 X* ±2*		Customer:	EALER ELECTRIC
Third Angle 		Drawing No.:	1011144
Scale:	NTS	Checked By:	
Drawn By:	D.F.	Approved By:	
Date:	7/24/12	Sheet	1 of 1

NEMA DWG.: #102

REV.	DATE	DESCRIPTION	BY
E1	7/24/12	CHART VERSIONS (ECO #22677)	D.F.