

# Fluorescent Lampholders and Starters

Medium Bi-Pin  
660W 600V  
Fluorescent Starters



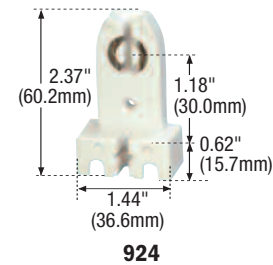
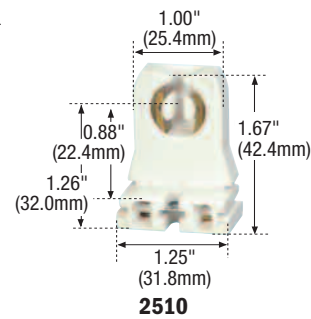
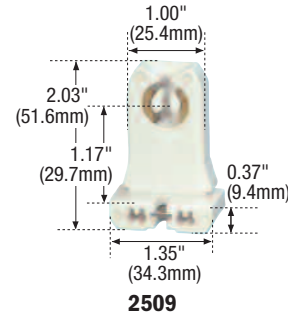
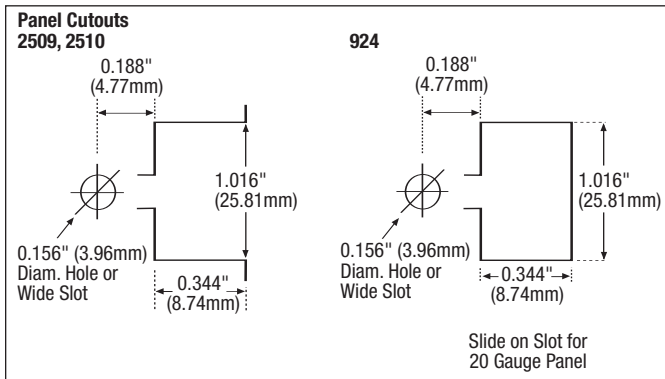
## Fluorescent Lampholders

### FEATURES

- Molded of white thermoset plastic for neat appearance and durability.
- Use for flush or surface mounting.
- For replacement use in fluorescent lighting fixtures.
- Captive pal nut for easy mounting.
- Push-in wire terminals feature release slots.

### Medium Bi-Pin

Rating	W	V	Description	Terminals	Mounting	Color	Catalog No.
660	600	Standard	Push Wire	Slide-On & Screw	White	2509W	
660	600	Short	Push Wire	Slide-On & Screw	White	2510W	
660	600	Standard	Screw Terminals	Screw	White	924W	



**45FS2**

## Fluorescent Starters - Condenser Type

### FEATURES

- All-purpose two-terminal standard starter accurately timed to combine starts with long bulb life.
- For use where lights are turned on more than five times daily. Also in devices where bulb life expectancy is two years or less.

### Fluorescent Starters - Condenser Type

Rating W	Lamp Size	Catalog No.
15-20	18" (45.72cm) -15W or 24" (60.96cm)-20W	45FS2
30-40	36" (91.44cm) -30W or 48" (121.92cm)-40W	45FS4

### TESTING & CODE COMPLIANCE

- UL Listed, Meet UL requirements
- CSA Certified, Meet CSA requirements, C22.2 no. 43

### MATERIAL CHARACTERISTICS

Temperature Rating:  
-40°C to 65°C

# Fluorescent Lampholders and Starters

Medium Bi-Pin  
660W 600V  
Fluorescent Starters



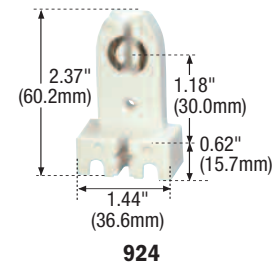
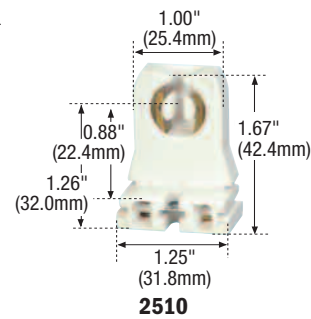
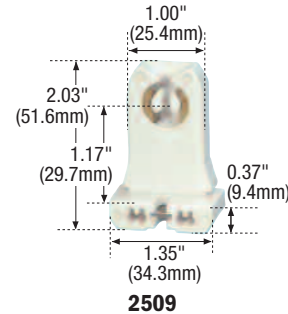
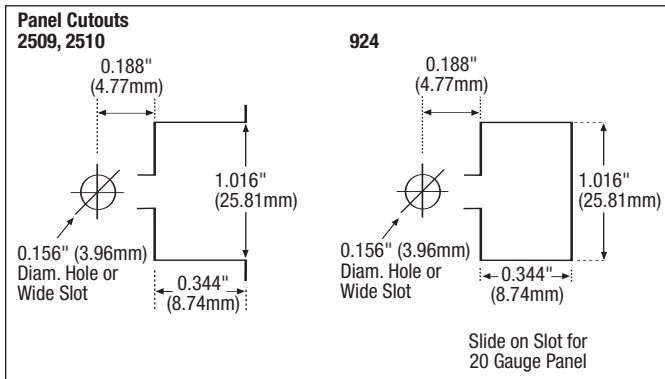
## Fluorescent Lampholders

### FEATURES

- Molded of white thermoset plastic for neat appearance and durability.
- For replacement use in fluorescent lighting fixtures.
- Use for flush or surface mounting.
- Captive pal nut for easy mounting.
- Push-in wire terminals feature release slots.

### Medium Bi-Pin

Rating	W	V	Description	Terminals	Mounting	Color	Catalog No.
	660	600	Standard	Push Wire	Slide-On & Screw	White	2509W
	660	600	Short	Push Wire	Slide-On & Screw	White	2510W
	660	600	Standard	Screw Terminals	Screw	White	924W



## Fluorescent Starters – Condenser Type

### FEATURES

- All-purpose two-terminal standard starter accurately timed to combine starts with long bulb life.
- For use where lights are turned on more than five times daily. Also in devices where bulb life expectancy is two years or less.

### Fluorescent Starters – Condenser Type

Rating W	Lamp Size	Catalog No.
15-20	18" (45.72cm) -15W or 24" (60.96cm)-20W	45FS2
30-40	36" (91.44cm) -30W or 48" (121.92cm)-40W	45FS4

# R-6 Lampholders

### TESTING & CODE COMPLIANCE

- UL Listed, Meet UL requirements
- CSA Certified, Meet CSA requirements, C22.2 no. 43

### MATERIAL CHARACTERISTICS

Temperature Rating:  
-40°C to 65°C