

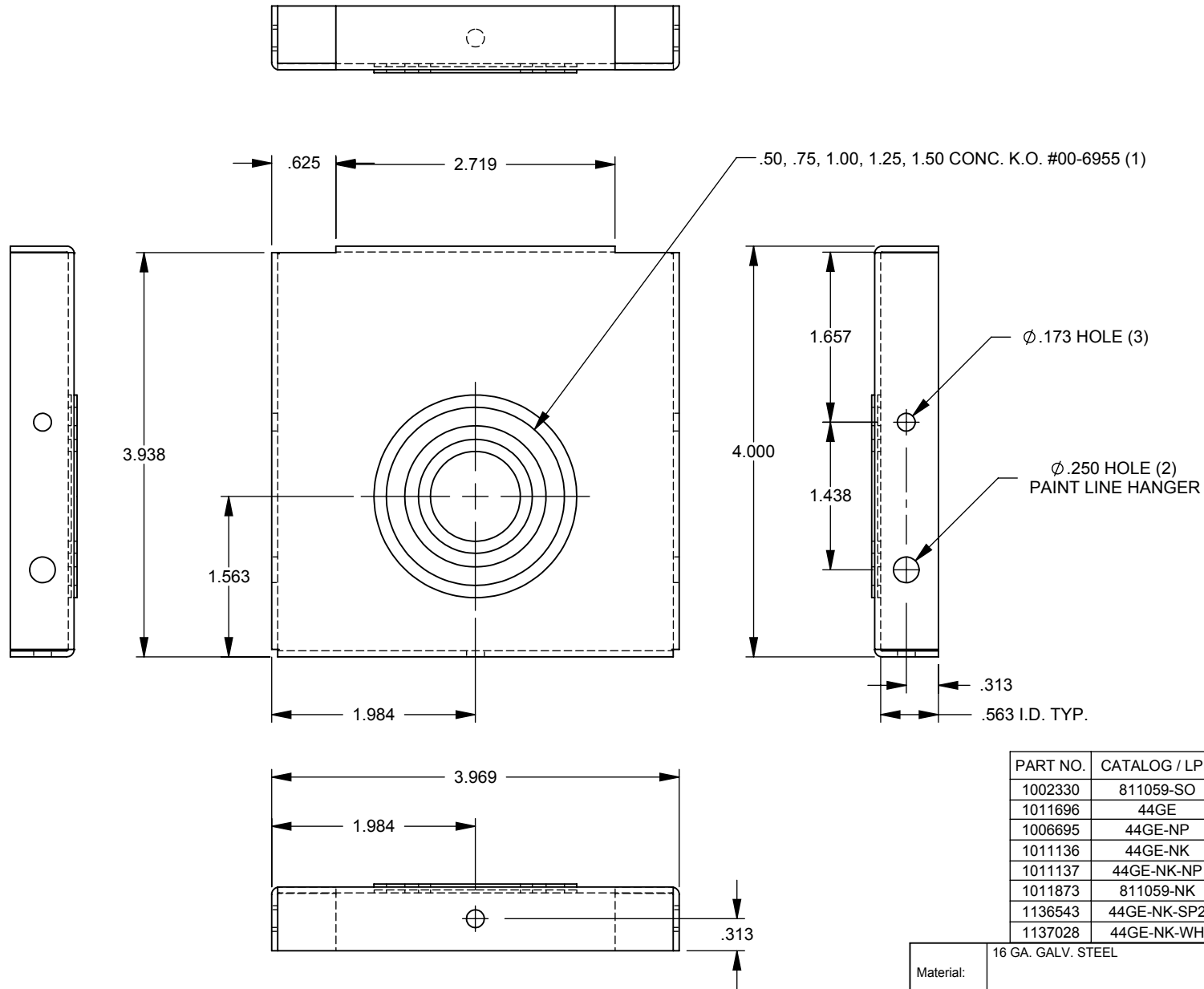


Catalog Number: 44GE-NK
Item Description: WIREWAY ACCESSORY
UPC Code: 784572106772

Brand Name: Milbank
Type: Wireway End
Application: Wireway Accessory
Standard: UL Listed, Type 1
Cover Type: Screw Cover
Enclosure: Indoor Enclosure
Nominal Cross Section: 4x4
Material: Steel with Powder Coat Finish
Finish: ANSI 61 Gray
Knockouts: False




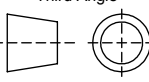
Utility requirements may vary. Always consult the serving utility for their requirements prior to ordering or installing this equipment. This product must always be installed by a licensed electrician. Installation of this equipment may require local electrical inspector approval.



NOTES:
 1.) DIE RUN COMPLETE:
 K.C. DIE #2874
 CPC DIE #2880
 2.) USE CARTON #1003086 FOR SHIPPING, 100-PER.

LPN: #811059-SO

PART NO.	CATALOG / LPN	FINISH	INSTALL K.O.s
1002330	811059-SO	NONE	YES
1011696	44GE	MILBANK LIGHT GRAY	YES
1006695	44GE-NP	NONE	YES
1011136	44GE-NK	MILBANK LIGHT GRAY	NO
1011137	44GE-NK-NP	NONE	NO
1011873	811059-NK	MILBANK LIGHT GRAY	NO
1136543	44GE-NK-SP2	BLACK	NO
1137028	44GE-NK-WH	WHITE	NO

Material:	16 GA. GALV. STEEL		 General Offices: Kansas City, MO	
Shear/ Die#:	SEE NOTE			
Finish:	SEE CHART		Title:	END COVER 4 X 4 GSC1 SCREW COVER WIREWAY
Part Wt.:	0.384 LBS. EA.		Catalog No.:	44GE-(-)
Tolerances:		Third Angle 	Customer:	
Unless Specified Otherwise X.X ±.1 X.XX ±.03 X.XXX ±.015 X* ±2*			Drawing No.:	1002330
Scale:	NTS	Checked By:	Date:	12/23/08
Drawn By:	D.F.	Approved By:	Sheet	1 of 1

REV.	DATE	DESCRIPTION	BY
F1	12/23/08	CHART BLACK VERSIONI; REDRAW INTO SOLIDWORKS (ECO #17913)	D.F.
F2	5/19/09	UPDATE CHART AND ADD 1137028 TO CHART (ECO #18311)	D.F.
G	3/13/12	ADD CARTON NOTE (ECO #22022)	D.F.