



Catalog Number: 4448-GSC3R-NK  
Item Description: N3R SCREW CVR GUTTER NK  
UPC Code: 784572106611

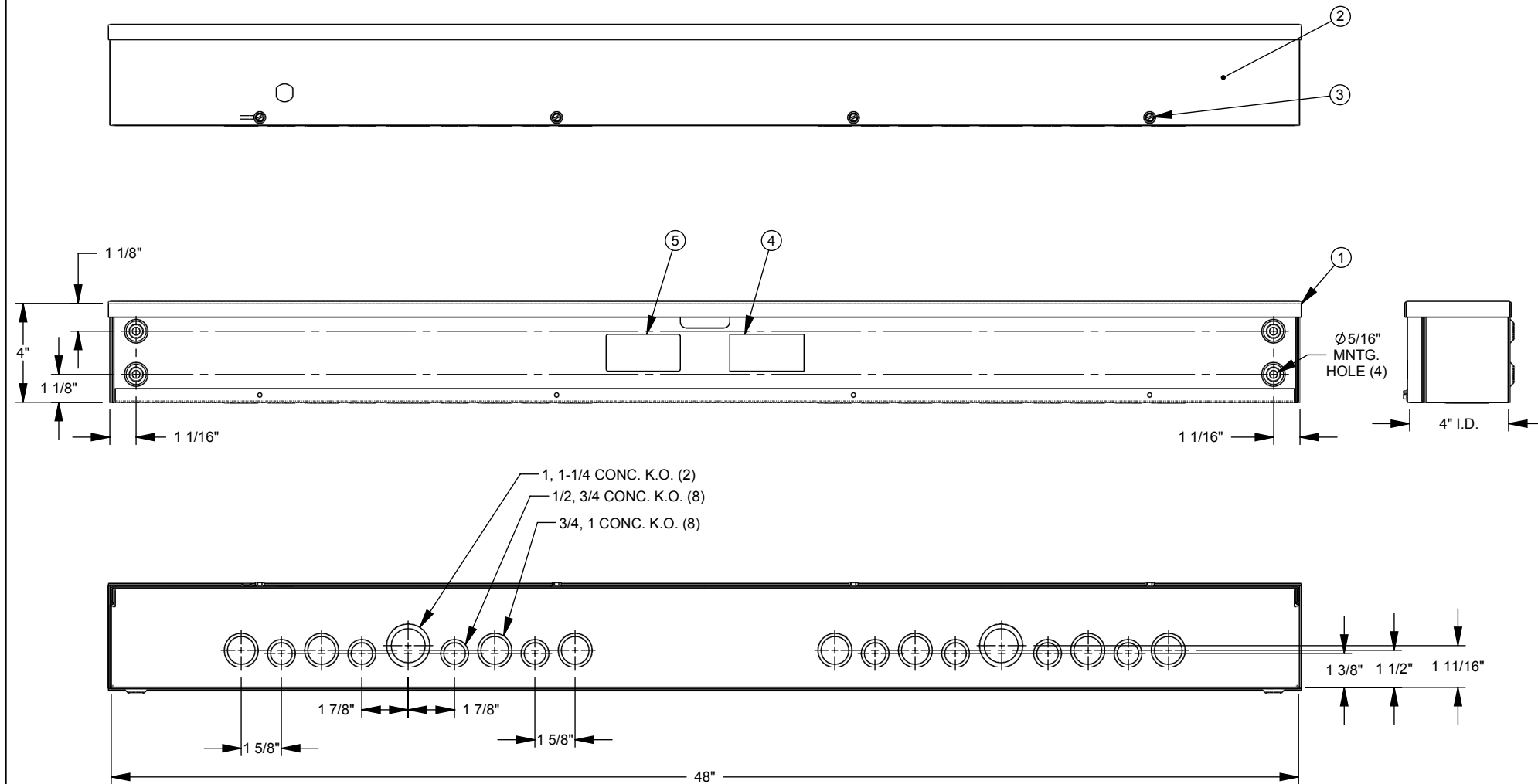
Brand Name: Milbank  
Type: Wiring Trough  
Special Features: Key Locking Cylinder Latch Provision,  
Sealing Eye Lance  
Application: Wireway  
Standard: UL Listed, Type 3R  
Cover Type: Screw Cover  
Enclosure: Outdoor Enclosure  
Nominal Cross Section: 4x4  
Straight Section Length: 48  
Material: Steel with Powder Coat Finish  
Finish: ANSI 61 Gray  
Knockouts: False




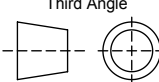
*Utility requirements may vary. Always consult the serving utility for their requirements prior to ordering or installing this equipment. This product must always be installed by a licensed electrician. Installation of this equipment may require local electrical inspector approval.*

CAT. NO.	U/L LABEL
4448-GSC3R-( )	1002943
RC-4448-GSC3R-( )	1125051
SPRSCG-4448-( )	1132575

ITEM	QTY.	PART NUMBER	DESCRIPTION
1	1	(SEE CHART)	BACK WELDMENT
2	1	1004417	FRONT
3	4	1001290	SCREW, 10-32 X 5/16
4	1	1002898	LABEL, RATING 4x4 GSC3R
5	1	(SEE CHART)	UL LABEL, WIREWAY



SUFFIX	BACK WELDMENT	K.O.s INSTALLED
NONE	1153004	YES
-NK	1153015	NO

Material:	16 GA. GALV. STEEL	 <p>General Offices: Kansas City, MO</p>
Shear/ Die#:		
Finish:	MILBANK LIGHT GRAY	
Part Wt.:		
Tolerances: Unless Specified Otherwise X.X ±.1 X.XX ±.03 X.XXX ±.015 X" ±2"		Title: SCREW COVER WIREWAY NEMA TYPE 3R Catalog No.: (SEE CHART) Customer: Drawing No.: 271
Scale:	NTS	Third Angle 
Drawn By:	D.F.	Checked By: Approved By:
Date:	5/11/11	Sheet 1 of 1

REV.	DATE	DESCRIPTION	BY
B3	5/11/11	REDRAW INTO SOLIDWORKS; UPDATE K.O. PATTERN; CHART -NK VERSION (ECO #20576)	D.F.



Catalog Number: 4448-GSC3R-NK  
Item Description: N3R SCREW CVR GUTTER NK  
UPC Code: 784572106611

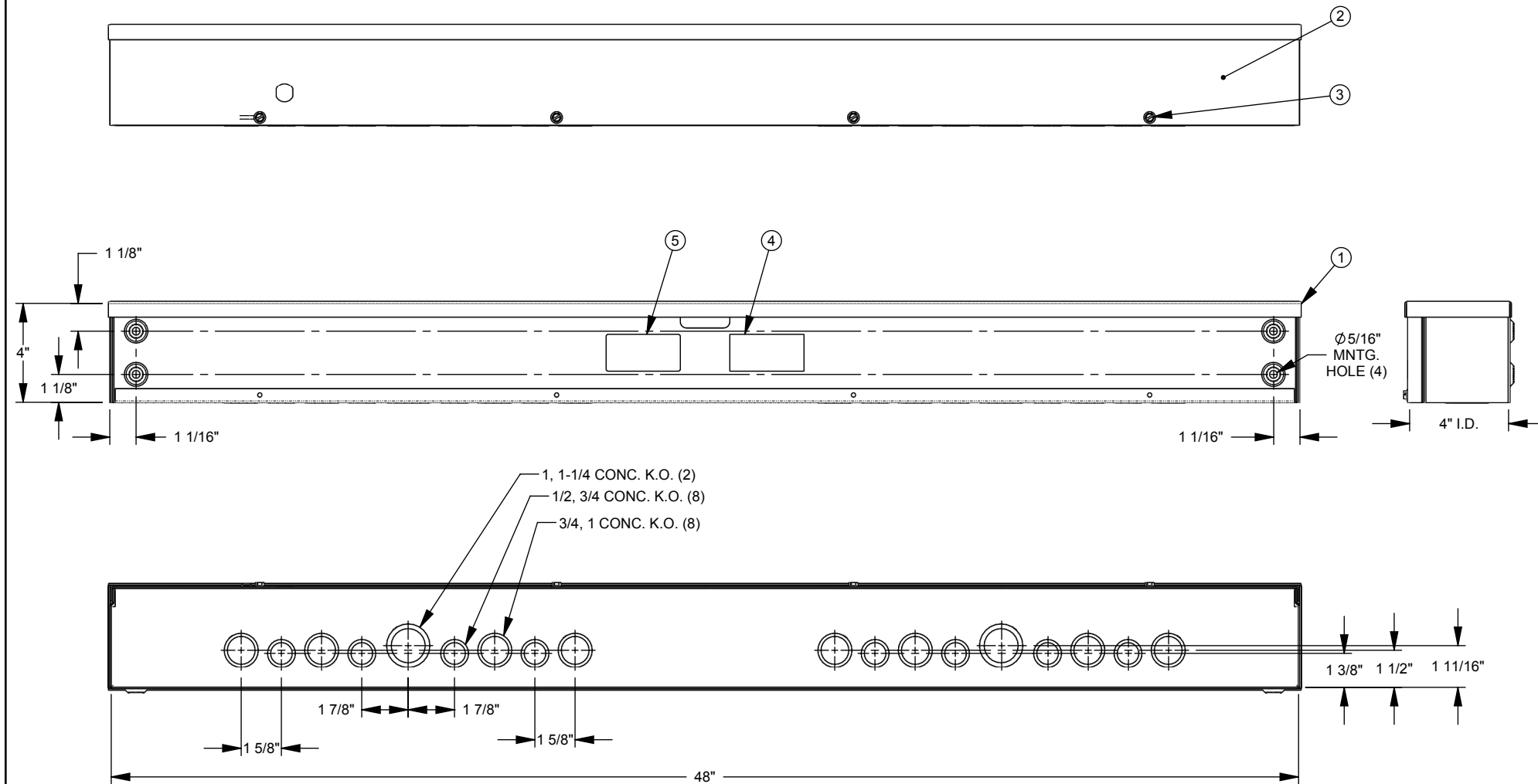
Brand Name: Milbank  
Type: Wiring Trough  
Special Features: Key Locking Cylinder Latch Provision,  
Sealing Eye Lance  
Application: Wireway  
Standard: UL Listed, Type 3R  
Cover Type: Screw Cover  
Enclosure: Outdoor Enclosure  
Nominal Cross Section: 4x4  
Straight Section Length: 48  
Material: Steel with Powder Coat Finish  
Finish: ANSI 61 Gray  
Knockouts: False




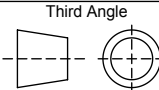
*Utility requirements may vary. Always consult the serving utility for their requirements prior to ordering or installing this equipment. This product must always be installed by a licensed electrician. Installation of this equipment may require local electrical inspector approval.*

CAT. NO.	U/L LABEL
4448-GSC3R-( )	1002943
RC-4448-GSC3R-( )	1125051
SPRSCG-4448-( )	1132575

ITEM	QTY.	PART NUMBER	DESCRIPTION
1	1	(SEE CHART)	BACK WELDMENT
2	1	1004417	FRONT
3	4	1001290	SCREW, 10-32 X 5/16
4	1	1002898	LABEL, RATING 4x4 GSC3R
5	1	(SEE CHART)	UL LABEL, WIREWAY



SUFFIX	BACK WELDMENT	K.O.s INSTALLED
NONE	1153004	YES
-NK	1153015	NO

Material:	16 GA. GALV. STEEL		 <p>General Offices: Kansas City, MO</p>	
Shear/ Die#:				
Finish:	MILBANK LIGHT GRAY			
Part Wt.:				
Tolerances:			Title:	SCREW COVER WIREWAY NEMA TYPE 3R
Unless Specified Otherwise X.X ±.1 X.XX ±.03 X.XXX ±.015 X" ±2"			Catalog No.:	(SEE CHART)
Scale:	NTS	Checked By:	Customer:	
Drawn By:	D.F.	Approved By:	Drawing No.:	271
			Date:	5/11/11
			Sheet	1 of 1

REV.	DATE	DESCRIPTION	BY
B3	5/11/11	REDRAW INTO SOLIDWORKS; UPDATE K.O. PATTERN; CHART -NK VERSION (ECO #20576)	D.F.