

SYLVANIA Lamps

ValueLED™ High Lumen A-Line Lamp

Application

ValueLED High Lumen A-Line Lamps are ideal for outdoor bollard or post top applications and indoor low bay lighting.

Benefits and Features

- No warm-up time, instant on with full light output and stable color
- Consumes up to 84% less energy than equivalent HID lamps while delivering same light output
- Passive cooling design (higher reliability with no internal fan)
- Rated for open and enclosed fixtures
- Up to 135 LPW
- 3000K, 4000K and 5000K color temperatures
- CRI 80+
- 360° beam angle (or omnidirectional)

Electrical

- 120-277V_{AC}
- Power Factor >90%
- 2kV surge protection
- Non-dimmable

Rated Life

- 17W & 24W: 40,000 hours (L₇₀)
- 32W: 25,000 hours (L₇₀)

Warranty

- Standard 5 year lamp warranty

Ambient Operating Range

- -4°F to 113°F (-20°C to 45°C)



Wattage Comparison

| Traditional Source | Traditional System Wattage | LED System Wattage | Energy Savings | Energy Savings Over Lamp Life |
|--------------------|--------------------------------|--------------------|----------------|-------------------------------|
| HID Metal Halide | 50W HID/ 100W Incandescent | 17W | 83% | \$456 |
| HID Metal Halide | 70W HID/ 150W Incandescent | 24W | 84% | \$693 |
| HID Metal Halide | 100W HID/ 200W Incandescent | 32W | 84% | \$924 |

Certifications and Listings

- IP64 Rated
- cULus
- RoHS
- FCC*
- Lead Free
- Mercury Free
- UL

*This device complies with Part 15 of the FCC rules. Operation is subject to the following two conditions: (1) this device may not cause harmful interference, and (2) this device must accept any interference received, including interference that may cause undesired operation. Please visit: www.SYLVANIA.com/fccpart15b for more information.

Installation

- Requires easy ballast by-pass
- Lamp operates directly on line voltage, 120-277 V_{AC}
- Base Up & Base Down Mounting orientation available



| | |
|-------------|------|
| Catalog # | Type |
| Project | |
| Comments | |
| Prepared by | |

Ordering Guide

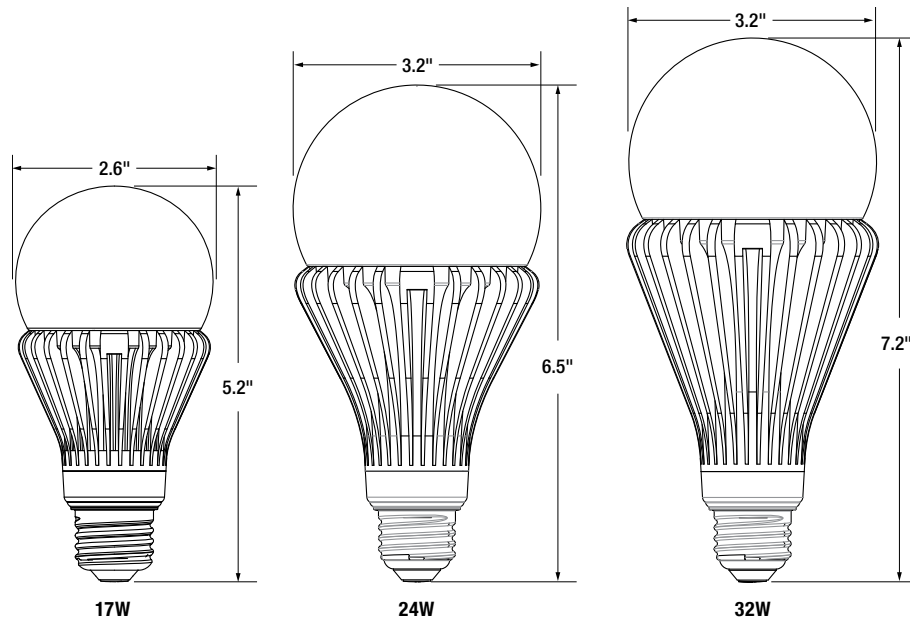
| LED | XX | HIDR | XXX | UNV | 8 | XX | MED |
|-------------------------|--------------------|-----------------|------------------|--------------------|---------|--|-----------------------|
| LED | Wattage | Lamp Type | Lamp Shape | Voltage | CRI | Color Temperature | Base Type |
| LED Lamps and Retrofits | 17, 24 or 32 Watts | HID Replacement | A21, A23 or PS25 | Universal 120-277V | 8 = 80+ | 30 = 3000K 40 = 4000K 50 = 5000K | MED = E26 Medium Base |

Ordering Information

| Item Number | Ordering Abbreviation | Power (W) | Base Type | Replaces | Lamp Shape | Input Voltage (V) | Average Life (hrs) | Typical Lumens (lm) | CCT | CRI | Power Factor | Dimming | Case Qty | CEC |
|-------------|------------------------|-----------|-------------|----------------------------|------------|-------------------|--------------------|---------------------|-------|-----|--------------|---------|----------|-----|
| 41035 | LED17HIDRA21UNV850MED | 17 | Medium base | 50W HID/100W Incandescent | A21 | 120-277 | 40,000 | 2125 | 5000K | 80+ | 0.9 | No | 6 | No |
| 41036 | LED24HIDRA23UNV830MED | 24 | Medium base | 70W HID/150W Incandescent | A23 | 120-277 | 40,000 | 3000 | 3000K | 80+ | 0.9 | No | 6 | Yes |
| 41037 | LED24HIDRA23UNV840MED | 24 | Medium base | 70W HID/150W Incandescent | A23 | 120-277 | 40,000 | 3310 | 4000K | 80+ | 0.9 | No | 6 | Yes |
| 41038 | LED24HIDRA23UNV850MED | 24 | Medium base | 70W HID/150W Incandescent | A23 | 120-277 | 40,000 | 3310 | 5000K | 80+ | 0.9 | No | 6 | Yes |
| 41039 | LED32HIDRPS25UNV830MED | 32 | Medium base | 100W HID/200W Incandescent | PS25 | 120-277 | 25,000 | 4000 | 3000K | 80+ | 0.9 | No | 6 | Yes |
| 41040 | LED32HIDRPS25UNV840MED | 32 | Medium base | 100W HID/200W Incandescent | PS25 | 120-277 | 25,000 | 4320 | 4000K | 80+ | 0.9 | No | 6 | Yes |
| 41041 | LED32HIDRPS25UNV850MED | 32 | Medium base | 100W HID/200W Incandescent | PS25 | 120-277 | 25,000 | 4320 | 5000K | 80+ | 0.9 | No | 6 | Yes |

Physical Information

| | (A) Height (inches) | (B) Diameter (inches) |
|--------------|---------------------------|-----------------------------|
| LED HIDR 17W | 5.2 | 2.6 |
| LED HIDR 24W | 6.5 | 3.2 |
| LED HIDR 32W | 7.2 | 3.2 |



Additional Specifications

- Verify fixture size before installation to ensure fit
- Cannot be used with dimmers
- Should not be directly exposed to water

LEDVANCE LLC
181 Ballardvale Street, Suite 203
Wilmington, MA 01887 USA
Phone 1-800-LIGHTBULB (1-800-544-4828)
www.ledvanceUS.com

SYLVANIA and LEDVANCE are registered trademarks.
All other trademarks are those of their respective owners.
Licensee of product trademark SYLVANIA in general lighting.
Specifications subject to change without notice.



SCAN TO FOLLOW US
ON SOCIAL MEDIA



SYLVANIA Lamps

ValueLED™ High Lumen A-Line Lamp

Application

ValueLED High Lumen A-Line Lamps are ideal for outdoor bollard or post top applications and indoor low bay lighting.

Benefits and Features

- No warm-up time, instant on with full light output and stable color
- Consumes up to 84% less energy than equivalent HID lamps while delivering same light output
- Passive cooling design (higher reliability with no internal fan)
- Rated for open and enclosed fixtures
- Up to 135 LPW
- 3000K, 4000K and 5000K color temperatures
- CRI 80+
- 360° beam angle (or omnidirectional)

Electrical

- 120-277V_{AC}
- Power Factor >90%
- 2kV surge protection
- Non-dimmable

Rated Life

- 17W & 24W: 40,000 hours (L₇₀)
- 32W: 25,000 hours (L₇₀)

Warranty

- Standard 5 year lamp warranty

Ambient Operating Range

- -4°F to 113°F (-20°C to 45°C)



Wattage Comparison

| Traditional Source | Traditional System Wattage | LED System Wattage | Energy Savings | Energy Savings Over Lamp Life |
|--------------------|--------------------------------|--------------------|----------------|-------------------------------|
| HID Metal Halide | 50W HID/ 100W Incandescent | 17W | 83% | \$456 |
| HID Metal Halide | 70W HID/ 150W Incandescent | 24W | 84% | \$693 |
| HID Metal Halide | 100W HID/ 200W Incandescent | 32W | 84% | \$924 |

Certifications and Listings

- IP64 Rated
- cULus
- RoHS
- FCC*
- Lead Free
- Mercury Free
- UL

*This device complies with Part 15 of the FCC rules. Operation is subject to the following two conditions: (1) this device may not cause harmful interference, and (2) this device must accept any interference received, including interference that may cause undesired operation. Please visit: www.SYLVANIA.com/fccpart15b for more information.

Installation

- Requires easy ballast by-pass
- Lamp operates directly on line voltage, 120-277 V_{AC}
- Base Up & Base Down Mounting orientation available



| | |
|-------------|------|
| Catalog # | Type |
| Project | |
| Comments | |
| Prepared by | |

Ordering Guide

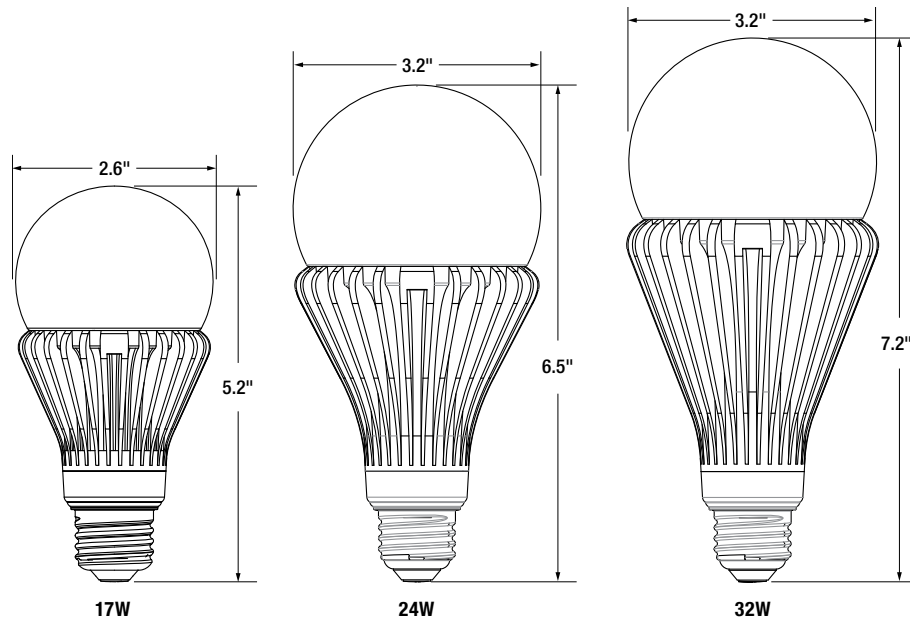
| LED | XX | HIDR | XXX | UNV | 8 | XX | MED |
|-------------------------|--------------------|-----------------|------------------|--------------------|---------|--|-----------------------|
| LED | Wattage | Lamp Type | Lamp Shape | Voltage | CRI | Color Temperature | Base Type |
| LED Lamps and Retrofits | 17, 24 or 32 Watts | HID Replacement | A21, A23 or PS25 | Universal 120-277V | 8 = 80+ | 30 = 3000K 40 = 4000K 50 = 5000K | MED = E26 Medium Base |

Ordering Information

| Item Number | Ordering Abbreviation | Power (W) | Base Type | Replaces | Lamp Shape | Input Voltage (V) | Average Life (hrs) | Typical Lumens (lm) | CCT | CRI | Power Factor | Dimming | Case Qty | CEC |
|-------------|------------------------|-----------|-------------|----------------------------|------------|-------------------|--------------------|---------------------|-------|-----|--------------|---------|----------|-----|
| 41035 | LED17HIDRA21UNV850MED | 17 | Medium base | 50W HID/100W Incandescent | A21 | 120-277 | 40,000 | 2125 | 5000K | 80+ | 0.9 | No | 6 | No |
| 41036 | LED24HIDRA23UNV830MED | 24 | Medium base | 70W HID/150W Incandescent | A23 | 120-277 | 40,000 | 3000 | 3000K | 80+ | 0.9 | No | 6 | Yes |
| 41037 | LED24HIDRA23UNV840MED | 24 | Medium base | 70W HID/150W Incandescent | A23 | 120-277 | 40,000 | 3310 | 4000K | 80+ | 0.9 | No | 6 | Yes |
| 41038 | LED24HIDRA23UNV850MED | 24 | Medium base | 70W HID/150W Incandescent | A23 | 120-277 | 40,000 | 3310 | 5000K | 80+ | 0.9 | No | 6 | Yes |
| 41039 | LED32HIDRPS25UNV830MED | 32 | Medium base | 100W HID/200W Incandescent | PS25 | 120-277 | 25,000 | 4000 | 3000K | 80+ | 0.9 | No | 6 | Yes |
| 41040 | LED32HIDRPS25UNV840MED | 32 | Medium base | 100W HID/200W Incandescent | PS25 | 120-277 | 25,000 | 4320 | 4000K | 80+ | 0.9 | No | 6 | Yes |
| 41041 | LED32HIDRPS25UNV850MED | 32 | Medium base | 100W HID/200W Incandescent | PS25 | 120-277 | 25,000 | 4320 | 5000K | 80+ | 0.9 | No | 6 | Yes |

Physical Information

| | (A) Height (inches) | (B) Diameter (inches) |
|--------------|---------------------------|-----------------------------|
| LED HIDR 17W | 5.2 | 2.6 |
| LED HIDR 24W | 6.5 | 3.2 |
| LED HIDR 32W | 7.2 | 3.2 |



Additional Specifications

- Verify fixture size before installation to ensure fit
- Cannot be used with dimmers
- Should not be directly exposed to water

LEDVANCE LLC
181 Ballardvale Street, Suite 203
Wilmington, MA 01887 USA
Phone 1-800-LIGHTBULB (1-800-544-4828)
www.ledvanceUS.com

SYLVANIA and LEDVANCE are registered trademarks.
All other trademarks are those of their respective owners.
Licensee of product trademark SYLVANIA in general lighting.
Specifications subject to change without notice.



SCAN TO FOLLOW US
ON SOCIAL MEDIA

