

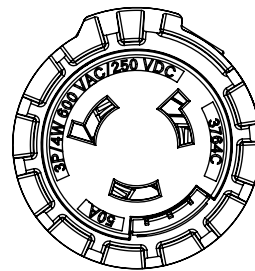
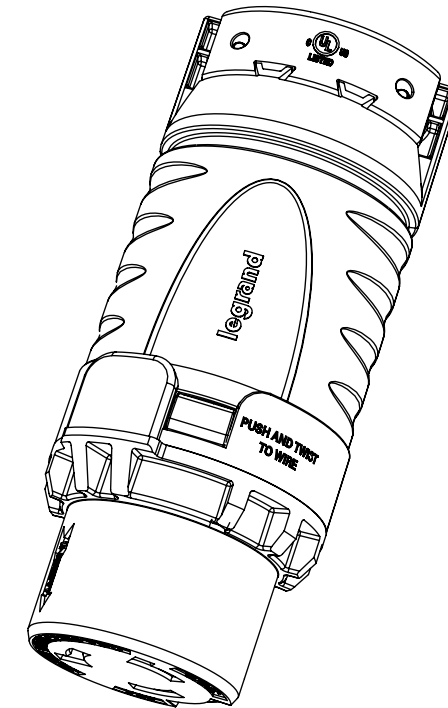
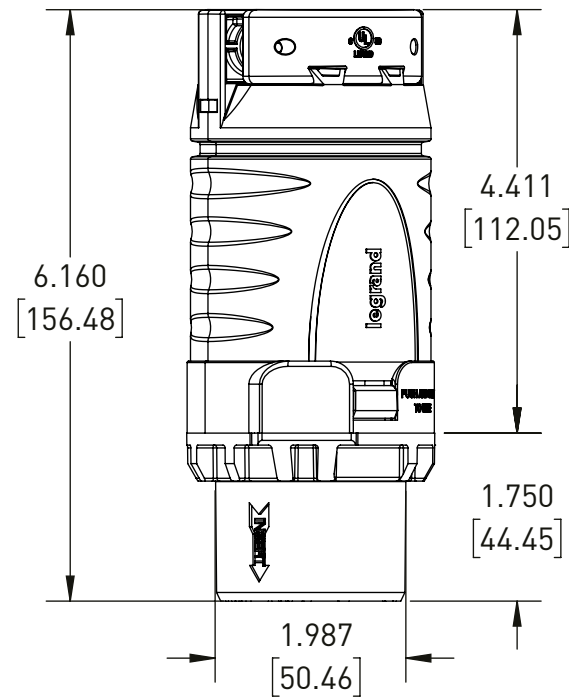
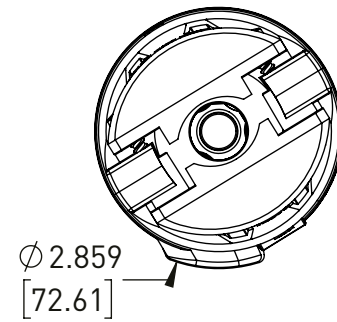
4

3

2

1

REVISIONS					
REV.	EC. NO.	DATE	DESCRIPTION	CREATED BY	CHECKED BY
A		3/8/2024	RELEASE	JR	





Notes:

- BASE CATALOG NUMBER- 3764C
- ELECTRICAL RATING: 3P/4W 50A 600 VAC/250 VDC
- 3RD PARTY LISTING:
 - cULus LISTED:
 - File Number E146159
 - Standard UL498, Attachment Plugs and Receptacles
 - Standard CSA-C22.2 No. 42, General Use Receptacles and Attachment Plugs
- TERMINATIONS:
 - Back wire set screw terminals
 - #8 TO#4 AWG WIRE
- USE COPPER WIRE ONLY
- MATERIAL: NYLON

ENVIRONMENTAL MATERIAL REQUIREMENTS

MATERIALS, PRODUCTS, PARTS AND ASSEMBLIES PROVIDED UNDER THIS DRAWING MUST MEET THE REQUIREMENTS DETAILED IN THE LATEST REVISION OF THE LEGRAND, NORTH & CENTRAL AMERICA CORPORATE ENVIRONMENTAL MATERIAL REQUIREMENTS (EMR) DOCUMENT EMS-009. ANY DEVIATION FROM THE EMR REQUIREMENTS MUST BE APPROVED BY AN AUTHORIZED REPRESENTATIVE OF LEGRAND PRODUCT ENGINEERING IN WRITING. THE LATEST EMR DOCUMENT IS AVAILABLE ON REQUEST.

Unspecified Tol. Frac ±1/64 Angles ±1.0	Tool Number:	Finish:	Drawing Title CUSTOMER DRAWING 3764C	
	Material:		 Scale: 1:2 Sheet: 1 of 1	Recom Drawing No: A
	Part Weight:	Date:		
	Created By: Josh RYAN	Date: 3/8/2024	P&S Drawing No. CAD3331-PS-3764C	Rev. A
Do Not Scale Drawing	NOTICE: Proprietary and confidential information of Pass & Seymour/Legrand. Reproduction or disclosure prohibited under penalty of law.			

4

3

2

1