



With SmoothStart™ Pilot



Carbide Tipped Hole Cutters

- SmoothStart™ pilot drill prevents carbide damage by gradually guiding cutter to material.
- Precision ground carbide teeth for fast cutting of clean, round holes.
- Designed specifically for sheet metal cutting, even stainless steel
- Over drill flange built in to prevent penetration beyond the sheet metal



The efficient and precise alternative to knockouts and hole saws for stainless steel and sheet metal

Carbide Tipped Hole Cutters



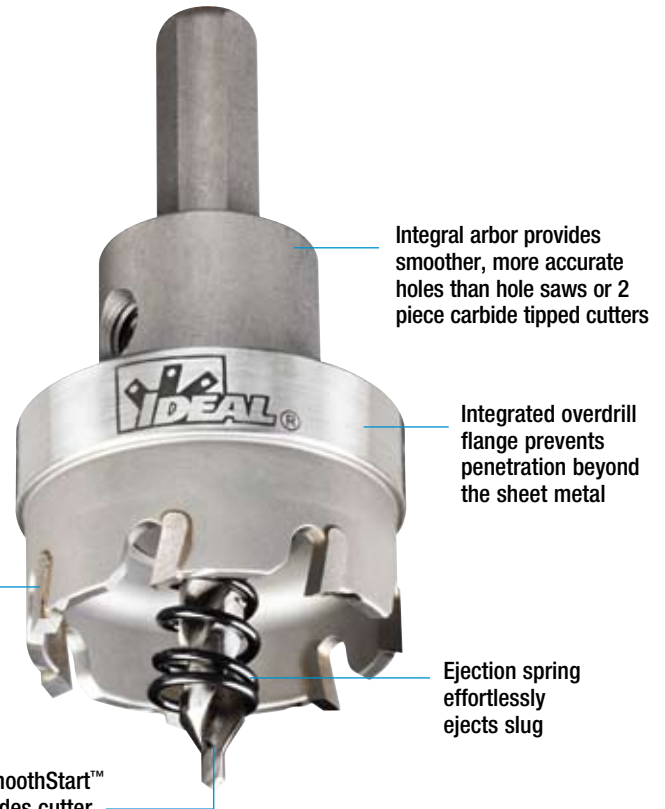
Quickly drills precise holes without penetration beyond sheet metal.

Introducing the new **TKO™** carbide tipped hole cutters from IDEAL INDUSTRIES, INC. Carbide Razor cutters offer the most efficient and clean cutter replacement for traditional knockouts, by making smooth holes in a fraction of the time at a fraction of the cost. Specifically designed to cut sheet metal, Carbide Razor cutters will even cut stainless steel with fine grained, carbide tips. The innovative design includes the exclusive SmoothStart™ replaceable pilot drill, which guides the cutter to the surface, avoiding cutter damage and providing smoother holes. An integral overdrill flange prevents cutter penetration beyond the sheet metal. When it comes to quality, performance and durability, IDEAL is the professional's choice for carbide tipped hole cutters.



Carbide tips cut over 200 holes through stainless steel, and outperform HSS cutters and bi-metal hole saws in sheet steel

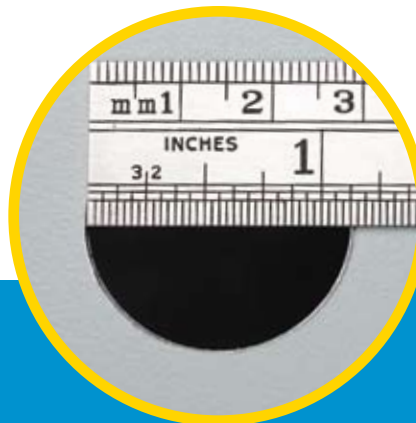
Exclusive SmoothStart™ pilot drill guides cutter to surface providing smoother holes and avoiding cutter damage



Integral arbor provides smoother, more accurate holes than hole saws or 2 piece carbide tipped cutters

Integrated overdrill flange prevents penetration beyond the sheet metal

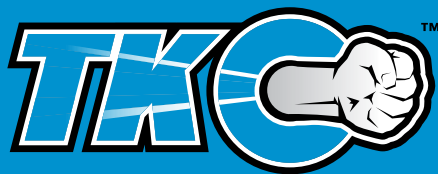
Ejection spring effortlessly ejects slug



IDEAL TKO™



Competitor



With SmoothStart™ Pilot

IDEAL provides smoother, more precise hole than competitors (holes cut with 1 1/8" cutters)



Integrated overdrill flange prevents penetration beyond the sheet metal.

4 Piece Kit

Includes the 3 most common sizes, along with a spare SmoothStart™ pilot bit and a convenient carrying case.



Cat. No.	Description
36-311	4 Pc. Carbide Hole Cutter Kit—Includes: SmoothStart™ Replacement Tip, 7/8", 1 1/8", 1 1/4"



Available in a full range of sizes from 1" to 2 1/2".

Carbide Tipped Hole Cutters

P/N	Hole Size (Inches)	Conduit and Pipe Size
36-300	3/4"	—
36-301	7/8"	1/2"
36-302	1"	—
36-303	1-1/8"	3/4"
36-304	1-1/4"	—
36-305	1-3/8"	1"
36-306	1-7/16"	—
36-307	1-1/2"	—
36-308	1-3/4"	1 1/4"
36-309	2"	1 1/2"
36-310	2-1/2"	—

SmoothStart™ Replacement Pilot Drill

Cat. No.	Description
36-312	1 Pc. SmoothStart™ Replacement Pilot Drill



Exclusive! SmoothStart™ pilot guides cutter to surface providing smoother holes and avoiding cutter damage.



See How IDEAL **TKC** **Can Save Time...**

With SmoothStart™ Pilot




Total time using the IDEAL TKC™

30 Seconds

Chuck Cutter 00:10

Drill Hole & Store 00:30

Compared to the Competitor...



Total time using the competitor's knock-out tool

More than 6 Minutes

Chuck Step Drill 00:10

Drill Pilot Hole 00:30

Assemble knockout punch & stud pull 02:00

Ratchet 04:20

Slug Removed, Disassemble & Store 06:20

IDEAL INDUSTRIES, INC.

Becker Place, Sycamore, IL 60178, USA / 815-895-5181 • 800-435-0705 in USA

International offices:

Australia • Brazil • Canada • China • Germany • Mexico • UK

For complete sales office contact information, visit us at:

www.idealindustries.com



With SmoothStart™ Pilot



Carbide Tipped Hole Cutters

- SmoothStart™ pilot drill prevents carbide damage by gradually guiding cutter to material.
- Precision ground carbide teeth for fast cutting of clean, round holes.
- Designed specifically for sheet metal cutting, even stainless steel
- Over drill flange built in to prevent penetration beyond the sheet metal



The efficient and precise alternative to knockouts and hole saws for stainless steel and sheet metal

Carbide Tipped Hole Cutters



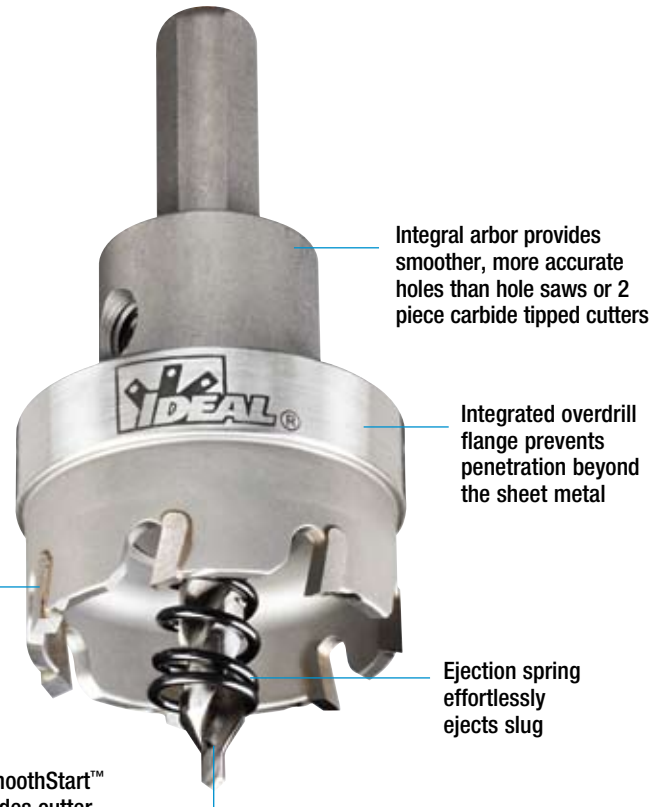
Quickly drills precise holes without penetration beyond sheet metal.

Introducing the new **TKO™** carbide tipped hole cutters from IDEAL INDUSTRIES, INC. Carbide Razor cutters offer the most efficient and clean cutter replacement for traditional knockouts, by making smooth holes in a fraction of the time at a fraction of the cost. Specifically designed to cut sheet metal, Carbide Razor cutters will even cut stainless steel with fine grained, carbide tips. The innovative design includes the exclusive SmoothStart™ replaceable pilot drill, which guides the cutter to the surface, avoiding cutter damage and providing smoother holes. An integral overdrill flange prevents cutter penetration beyond the sheet metal. When it comes to quality, performance and durability, IDEAL is the professional's choice for carbide tipped hole cutters.



Carbide tips cut over 200 holes through stainless steel, and outperform HSS cutters and bi-metal hole saws in sheet steel

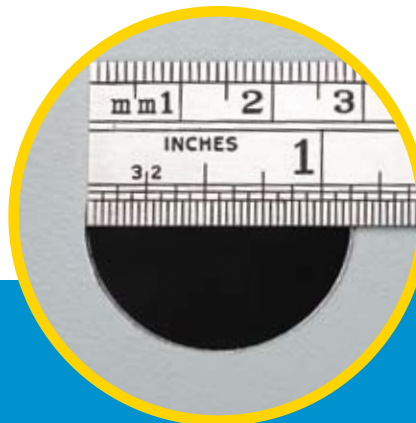
Exclusive SmoothStart™ pilot drill guides cutter to surface providing smoother holes and avoiding cutter damage



Integral arbor provides smoother, more accurate holes than hole saws or 2 piece carbide tipped cutters

Integrated overdrill flange prevents penetration beyond the sheet metal

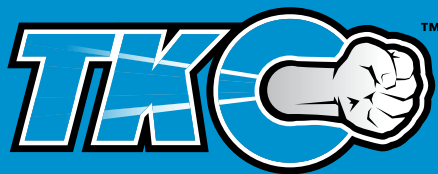
Ejection spring effortlessly ejects slug



IDEAL TKO™



Competitor



With SmoothStart™ Pilot

IDEAL provides smoother, more precise hole than competitors (holes cut with 1 1/8" cutters)



Integrated overdrill flange prevents penetration beyond the sheet metal.

4 Piece Kit

Includes the 3 most common sizes, along with a spare SmoothStart™ pilot bit and a convenient carrying case.



Cat. No.	Description
36-311	4 Pc. Carbide Hole Cutter Kit—Includes: SmoothStart™ Replacement Tip, 7/8", 1 1/8", 1 1/4"



Available in a full range of sizes from 1" to 2 1/2".

Carbide Tipped Hole Cutters

P/N	Hole Size (Inches)	Conduit and Pipe Size
36-300	3/4"	—
36-301	7/8"	1/2"
36-302	1"	—
36-303	1-1/8"	3/4"
36-304	1-1/4"	—
36-305	1-3/8"	1"
36-306	1-7/16"	—
36-307	1-1/2"	—
36-308	1-3/4"	1 1/4"
36-309	2"	1 1/2"
36-310	2-1/2"	—

SmoothStart™ Replacement Pilot Drill

Cat. No.	Description
36-312	1 Pc. SmoothStart™ Replacement Pilot Drill



Exclusive! SmoothStart™ pilot guides cutter to surface providing smoother holes and avoiding cutter damage.



See How IDEAL **TKC** **Can Save Time...**

With SmoothStart™ Pilot




Total time using the IDEAL TKO™

30 Seconds

Chuck Cutter 00:10

Drill Hole & Store 00:30

Compared to the Competitor...



Total time using the competitor's knock-out tool

More than 6 Minutes

Chuck Step Drill 00:10

Drill Pilot Hole 00:30

Assemble knockout punch & stud pull 02:00

Ratchet 04:20

Slug Removed, Disassemble & Store 06:20

IDEAL INDUSTRIES, INC.

Becker Place, Sycamore, IL 60178, USA / 815-895-5181 • 800-435-0705 in USA

International offices:

Australia • Brazil • Canada • China • Germany • Mexico • UK

For complete sales office contact information, visit us at:

www.idealindustries.com