

Buzzers

Vibrating

340A Series



Edwards 340A Series vibrating buzzers are heavy duty buzzers that mount directly on a solid surface or electrical box.

Features and Specifications

- AC models are volume adjustable
- Vibrating armature
- Convenient plug-in connection
- Corrosion resistant heat flowed epoxy finish
- UL and FM Approved (**AC buzzers only**)

Ordering Information

Description	Cat. No.	Operating Voltage ¹	Current	VA	dB at 1m/10ft.	DC Coil Res (Ohms)
AC	340A-G5	24V AC	0.250 A	6.0	80/70	28
	340A-N5	120V AC	0.050 A	6.0	80/70	725
	340A-R5	240V AC	0.025 A	6.0	80/70	2900
DC	343A-E1	12V DC	0.330 A	4.0	72/62	9.4
	343A-G1	24V DC	0.150 A	3.6	72/62	28
	343A-M1	75V DC	0.065 A	4.9	72/62	360
	343A-P1	125V DC	0.070 A	8.8	72/62	1000

¹AC voltage frequency is 50/60 Hz.

Weights and Dimensions

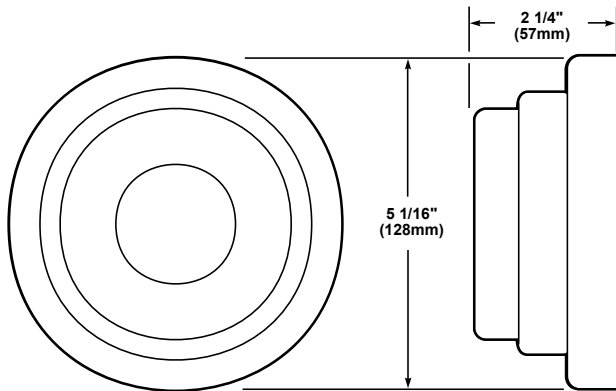
Cat. No.	Approx. Net Weight (lb.)	Approx. Shipping Weight (lb.)	Dimensions			
			Diameter	Depth	Width	Height
340A-G5	1.64	1.80			See Drawing	
340A-N5	1.64	1.80			See Drawing	
340A-R5	1.64	1.80			See Drawing	
343A-E1	1.64	1.80			See Drawing	
343A-G1	1.64	1.80			See Drawing	
343A-M1	1.64	1.80			See Drawing	
343A-P1	1.64	1.80			See Drawing	



Buzzers

Vibrating

340A Series



NOTE: Mounts directly on any single-gang box, 3 1/4" (83mm), 3 1/2" (89mm), or 4" (102mm) octagon box. Buzzer plugs into receptacle on mounting plate.