

Weatherproof metallic boxes

Universal boxes and covers

Single-gang

| | Cat. No. | Hub size (in.) | Color | Std. ctn. |
|---|---------------|----------------|--------|-----------|
| Three outlets | | | | |
|  IH3-1 | IH3-1 | 1/2 | Silver | 50 |
| | IH3-2 | 3/4 | Silver | 50 |
| | IH3-1-LM• | 1/2 | Silver | 50 |
| | IH3-2-LM• | 3/4 | Silver | 50 |
| | D-PAK | | | |
| | DIH3-1-LM• | 1/2 | Silver | 10 |
| | DIH3-1-LM-BR• | 1/2 | Bronze | 10 |
| | DIH3-1-LM-WH• | 1/2 | White | 10 |
| | DIH3-2-LM• | 3/4 | Silver | 10 |
| | B13030G | 1 | Silver | 10 |
| Four outlets | | | | |
|  IH4-1 | IH4-1 | 1/2 | Silver | 50 |
| | IH4-2 | 3/4 | Silver | 50 |
| | IH4-1-LM• | 1/2 | Silver | 50 |
| | IH4-2-LM• | 3/4 | Silver | 50 |
| | D-PAK | | | |
| | DIH4-1-LM• | 1/2 | Silver | 10 |
| | DIH4-1-LM-BR• | 1/2 | Bronze | 10 |
| | DIH4-1-LM-WH• | 1/2 | White | 10 |
| DIH4-2-LM• | 3/4 | Silver | 10 | |
| Five outlets | | | | |
|  IH5-1 | IH5-1 | 1/2 | Silver | 25 |
| | IH5-2 | 3/4 | Silver | 25 |
| | IH5-1-LM• | 1/2 | Silver | 25 |
| | IH5-2-LM• | 3/4 | Silver | 25 |
| | D-PAK | | | |
| | DIH5-1-LM• | 1/2 | Silver | 10 |
| | DIH5-2-LM• | 3/4 | Silver | 10 |
| Five outlets (2-side) | | | | |
|  B1501SGR | B1501SGR | 1/2 | Silver | 16 |
| | B1502SG | 3/4 | Silver | 25 |
| | | | | |
| Six outlets (3-side) | | | | |
|  IH6S2-1 | IH6S2-1• | 1/2 | Silver | 25 |
| | IH6S2-2• | 3/4 | Silver | 25 |

Note: Raintight when used with appropriate Red•Dot® covers. Boxes supplied with 2 closure plugs and ground screw.
• With mounting lugs

Two-gang







| | Cat. No. | Hub Size (in.) | Color | Std. ctn. |
|---|-----------|----------------|--------|-----------|
| Three outlets | | | | |
|  2IH3-1 | 2IH3-1• | 1/2 | Silver | 10 |
| | 2IH3-2• | 3/4 | Silver | 10 |
| | D-PAK | | | |
| | D2IH3-1 | 1/2 | Silver | 6 |
| Four outlets | | | | |
|  2IH4-1 | 2IH4-1• | 1/2 | Silver | 10 |
| | 2IH4-2• | 3/4 | Silver | 10 |
| Five outlets | | | | |
|  2IH5-1 | 2IH5-1• | 1/2 | Silver | 10 |
| | 2IH5-2• | 3/4 | Silver | 10 |
| Five outlets (2-side) | | | | |
|  2IH5S2-1 | 2IH5S2-1• | 1/2 | Silver | 10 |
| | 2IH5S2-2• | 3/4 | Silver | 10 |
| | B25D30G | 1 | Silver | 10 |
| Seven outlets | | | | |
|  2IH7-1 | 2IH7-1• | 1/2 | Silver | 10 |
| | 2IH7-2• | 3/4 | Silver | 10 |
| Seven outlets (2-side) | | | | |
|  2IH7S2-1 | 2IH7S2-1• | 1/2 | Silver | 10 |
| | 2IH7S2-2• | 3/4 | Silver | 10 |

Note: Raintight when used with appropriate Red•Dot® covers. Boxes supplied with 2 closure plugs and ground screw.
• With mounting lugs





Weatherproof metallic boxes

Universal boxes and covers


Deep boxes—single- and multi-gang

| | Cat. No. | Hub Size (in.) | Color | Std. ctn. | |
|---|-----------|----------------|--------|--------------|-----------|
| Three outlets | | | | | |
|  | IHD3-1• | ½ | Silver | 10 | |
| | IHD3-2• | ¾ | Silver | 10 | |
| | IHD3-3• | 1 | Silver | 10 | |
| Four outlets | | | | | |
|  | IHD4-1• | ½ | Silver | 10 | |
| | IHD4-2• | ¾ | Silver | 10 | |
| Two-gang five outlets | | | | | |
|  | 2IHD5-1• | ½ | Silver | 5 | |
| | 2IHD5-2• | ¾ | Silver | 5 | |
| | 2IHD5-3• | 1 | Silver | 5 | |
| Two-gang seven outlets | | | | | |
|  | 2IHD7S2-3 | 1 | Silver | 36 | |
| Close-up plugs—zinc | | | | | |
|  | Cat. No. | Hub Size (in.) | Color | Material | Std. ctn. |
| | PLG-1-RD | ½ | Silver | Zinc | 100 |
| | PLG-2-RD | ¾ | Silver | Zinc | 100 |
| | PLG-3-RD | 1 | Silver | Zinc | 100 |
| D-PAK® | | | | | |
|  | DPLG-1 | ½ | Silver | Zinc | 30 |
| | DPLG-1-BR | ½ | Bronze | Non-metallic | 75 |
| | DPLG-1-WH | ½ | White | Non-metallic | 75 |
| | DPLG-2 | ¾ | Silver | Zinc | 30 |


Extensions—single-gang

| | Cat. No. | Hub size (in.) | Description | Color | Std. ctn. |
|---|-----------|----------------|--|--------|-----------|
| No outlets—1" deep | | | | | |
|  | IHE | N/A | Extension ring for one-gang box with gasket and screws | Silver | 10 |
| Four outlets—1½" deep | | | | | |
|  | S121E-R | ½ | 4-hole extension ring for one-gang box with 4 plugs, gasket and screws | Silver | 6 |
| Two outlets, flanged—1½" deep add on | | | | | |
|  | IHEF2-1 | ½ | 2-hole flanged box extension adapter with 1 plug gasket and screws | Silver | 5 |
| | IHEF2-2 | ¾ | | | |
| Six outlets, flanged—1½" deep add on | | | | | |
|  | IHEF6S2-1 | ½ | 6-hole flanged box extension adapter with 4 plugs, gasket and screws | Silver | 5 |
| | IHEF6S2-2 | ¾ | | | |


Extensions—Two-gang

| | Cat. No. | Hub size (in.) | No. of Hubs | Description | Color | Std. ctn. |
|--|----------|----------------|-------------|--|--------|-----------|
| Deep | | | | | | |
|  | 2IHE | N/A | 0 | Extension ring for two-gang boxes with gasket and screws | Silver | 10 |

Extensions—Round

| | Cat. No. | Hub size (in.) | No. of Hubs | Description | Color | Std. ctn. |
|--|----------|----------------|-------------|--|--------|-----------|
| Four outlets—1½" deep | | | | | | |
|  | S130E | ½ | 4 | Round extension with gasket and screws | Silver | 8 |
| | SE-48 | ¾ | 4 | | Silver | 5 |

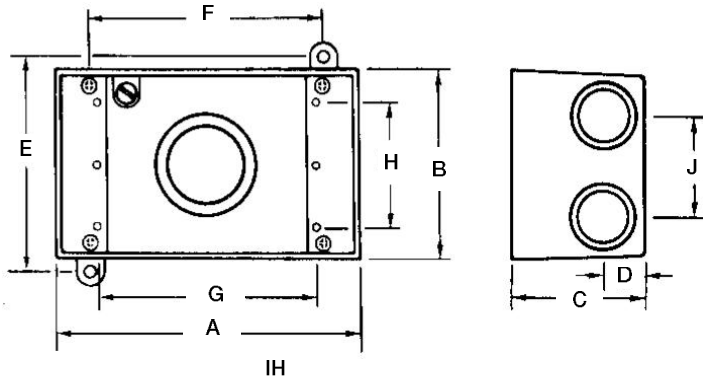
Mounting lugs

| | Cat. No. | Description | Color | Std. ctn. |
|--|----------|---|--------|-----------|
|  | LM | 2 Mounting lugs with self-tapping screws, for LM boxes only | Silver | 100 |

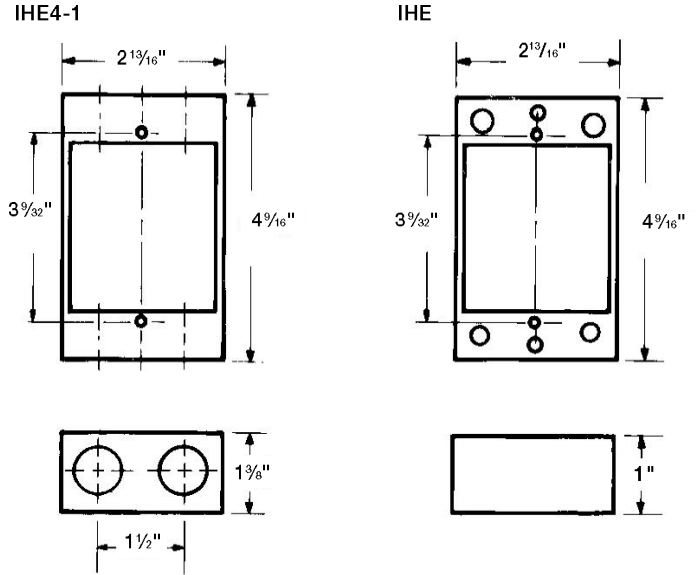
Weatherproof metallic boxes

Universal boxes and covers

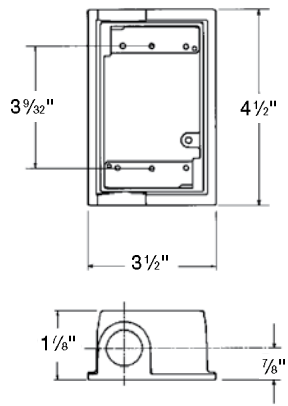
Single-gang boxes



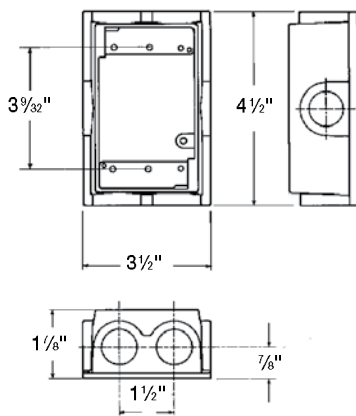
Single-gang extension rings



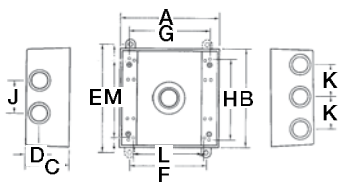
Two-hole flanged box extension adapter IHEF2 (Add-On)



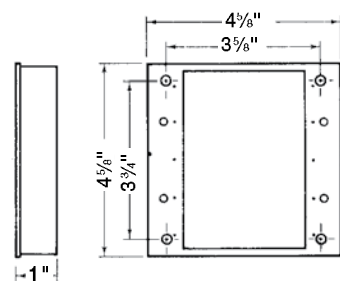
Six-hole flanged box extension adapter IHEF6S2 (Add-On)



Two- and three-gang boxes 2IH & 3IH



Two-gang extension ring 2IHE



| Cat. No. | Hub Size | Dimensions (in.) | | | | | | | | | |
|----------|---------------|------------------|-----------------|----------------|---------------|-----------------|----------------|----------------|----------------|----------------|------|
| | | A | B | C | D | E | F | G | H | J | CI |
| IH-1 | $\frac{1}{2}$ | $4\frac{1}{16}$ | $2\frac{1}{16}$ | 2 | $\frac{3}{8}$ | — | — | $3\frac{3}{4}$ | $1\frac{1}{8}$ | $1\frac{1}{2}$ | 17.3 |
| IH-2 | $\frac{3}{4}$ | $4\frac{1}{16}$ | $2\frac{1}{16}$ | 2 | $\frac{3}{8}$ | — | — | $3\frac{3}{4}$ | $1\frac{1}{8}$ | $1\frac{1}{2}$ | 17.0 |
| IH-LM-1 | $\frac{1}{2}$ | $4\frac{1}{16}$ | $2\frac{1}{16}$ | 2 | $\frac{3}{8}$ | $3\frac{1}{16}$ | $3\frac{1}{2}$ | $3\frac{3}{4}$ | $1\frac{1}{8}$ | $1\frac{1}{2}$ | 17.3 |
| IH-LM-2 | $\frac{3}{4}$ | $4\frac{1}{16}$ | $2\frac{1}{16}$ | 2 | $\frac{3}{8}$ | $3\frac{1}{16}$ | $3\frac{1}{2}$ | $3\frac{3}{4}$ | $1\frac{1}{8}$ | $1\frac{1}{2}$ | 17.0 |
| IH-S-1 | $\frac{1}{2}$ | $4\frac{1}{16}$ | $2\frac{1}{16}$ | 2 | $\frac{3}{8}$ | $3\frac{1}{16}$ | $3\frac{1}{2}$ | $3\frac{3}{4}$ | $1\frac{1}{8}$ | $1\frac{1}{2}$ | 17.0 |
| IH-S-2 | $\frac{3}{4}$ | $4\frac{1}{16}$ | $2\frac{1}{16}$ | 2 | $\frac{3}{8}$ | $3\frac{1}{16}$ | $3\frac{1}{2}$ | $3\frac{3}{4}$ | $1\frac{1}{8}$ | $1\frac{1}{2}$ | 17.0 |
| IHD3-1 | $\frac{1}{2}$ | $4\frac{1}{16}$ | $2\frac{1}{16}$ | $2\frac{5}{8}$ | $\frac{5}{8}$ | $3\frac{1}{16}$ | $3\frac{1}{2}$ | $3\frac{3}{4}$ | $1\frac{1}{8}$ | $1\frac{1}{2}$ | 24.8 |
| IHD3-2 | $\frac{3}{4}$ | $4\frac{1}{16}$ | $2\frac{1}{16}$ | $2\frac{5}{8}$ | $\frac{5}{8}$ | $3\frac{1}{16}$ | $3\frac{1}{2}$ | $3\frac{3}{4}$ | $1\frac{1}{8}$ | $1\frac{1}{2}$ | 24.8 |
| IHD3-3 | 1 | $4\frac{1}{16}$ | $2\frac{1}{16}$ | $2\frac{5}{8}$ | $\frac{3}{4}$ | $3\frac{1}{16}$ | $3\frac{1}{2}$ | $3\frac{3}{4}$ | $1\frac{1}{8}$ | $1\frac{1}{2}$ | 23.5 |

| Cat. No. | Dimensions (in.) | | | | | | | | | | | | |
|----------|------------------|-----------------|-----------------|-----------------|-----------------|----------------|-----------------|-----------------|-----------------|-----------------|----------------|-----------------|------|
| | A | B | C | D | E | F | G | H | J | K | L | M | CI |
| 2IH3 | $4\frac{1}{16}$ | $4\frac{1}{16}$ | $2\frac{1}{16}$ | $\frac{3}{8}$ | 5 | $3\frac{1}{2}$ | $3\frac{1}{32}$ | $3\frac{3}{4}$ | — | — | $3\frac{3}{4}$ | $3\frac{3}{16}$ | 31.8 |
| 2IH4 | $4\frac{1}{16}$ | $4\frac{1}{16}$ | $2\frac{1}{16}$ | $\frac{3}{8}$ | 5 | $3\frac{1}{2}$ | $3\frac{1}{32}$ | $3\frac{3}{4}$ | $1\frac{1}{2}$ | — | $3\frac{3}{4}$ | $3\frac{3}{16}$ | 31.8 |
| 2IH5 | $4\frac{1}{16}$ | $4\frac{1}{16}$ | $2\frac{1}{16}$ | $\frac{3}{8}$ | 5 | $3\frac{1}{2}$ | $3\frac{1}{32}$ | $3\frac{3}{4}$ | $1\frac{1}{2}$ | — | $3\frac{3}{4}$ | $3\frac{3}{16}$ | 31.8 |
| 2IH5S2 | $4\frac{1}{16}$ | $4\frac{1}{16}$ | $2\frac{1}{16}$ | $\frac{3}{8}$ | 5 | $3\frac{1}{2}$ | $3\frac{1}{32}$ | $3\frac{3}{4}$ | — | — | $3\frac{3}{4}$ | $3\frac{3}{16}$ | 31.8 |
| 2IH7 | $4\frac{1}{16}$ | $4\frac{1}{16}$ | $2\frac{1}{16}$ | $\frac{3}{8}$ | 5 | $3\frac{1}{2}$ | $3\frac{1}{32}$ | $3\frac{3}{4}$ | — | $1\frac{1}{2}$ | $3\frac{3}{4}$ | $3\frac{3}{16}$ | 30.3 |
| 2IH7S2 | $4\frac{1}{16}$ | $4\frac{1}{16}$ | $2\frac{1}{16}$ | $\frac{3}{8}$ | 5 | $3\frac{1}{2}$ | $3\frac{1}{32}$ | $3\frac{3}{4}$ | $1\frac{1}{2}$ | — | $3\frac{3}{4}$ | $3\frac{3}{16}$ | 32.0 |
| 2IHD5 | $4\frac{1}{16}$ | $4\frac{1}{16}$ | $2\frac{1}{16}$ | $\frac{3}{4}$ | 5 | $3\frac{1}{2}$ | $3\frac{1}{32}$ | $3\frac{3}{4}$ | $1\frac{1}{16}$ | — | $3\frac{3}{4}$ | $3\frac{3}{16}$ | 40.3 |
| 3IHD7 | $4\frac{1}{16}$ | $6\frac{1}{16}$ | $2\frac{1}{32}$ | $1\frac{1}{16}$ | $6\frac{3}{16}$ | $3\frac{1}{2}$ | $3\frac{3}{4}$ | 5 $\frac{1}{8}$ | — | $1\frac{3}{16}$ | $3\frac{3}{4}$ | $3\frac{3}{16}$ | 54.8 |

Weatherproof metallic boxes

Universal boxes and covers

Single-gang

| | Cat. No. | Hub size (in.) | Color | Std. ctn. |
|---|---------------|----------------|--------|-----------|
| Three outlets | | | | |
|  IH3-1 | IH3-1 | 1/2 | Silver | 50 |
| | IH3-2 | 3/4 | Silver | 50 |
| | IH3-1-LM• | 1/2 | Silver | 50 |
| | IH3-2-LM• | 3/4 | Silver | 50 |
| | D-PAK | | | |
| | DIH3-1-LM• | 1/2 | Silver | 10 |
| | DIH3-1-LM-BR• | 1/2 | Bronze | 10 |
| | DIH3-1-LM-WH• | 1/2 | White | 10 |
| | DIH3-2-LM• | 3/4 | Silver | 10 |
| | B13030G | 1 | Silver | 10 |
| Four outlets | | | | |
|  IH4-1 | IH4-1 | 1/2 | Silver | 50 |
| | IH4-2 | 3/4 | Silver | 50 |
| | IH4-1-LM• | 1/2 | Silver | 50 |
| | IH4-2-LM• | 3/4 | Silver | 50 |
| | D-PAK | | | |
| | DIH4-1-LM• | 1/2 | Silver | 10 |
| | DIH4-1-LM-BR• | 1/2 | Bronze | 10 |
| | DIH4-1-LM-WH• | 1/2 | White | 10 |
| DIH4-2-LM• | 3/4 | Silver | 10 | |
| Five outlets | | | | |
|  IH5-1 | IH5-1 | 1/2 | Silver | 25 |
| | IH5-2 | 3/4 | Silver | 25 |
| | IH5-1-LM• | 1/2 | Silver | 25 |
| | IH5-2-LM• | 3/4 | Silver | 25 |
| | D-PAK | | | |
| | DIH5-1-LM• | 1/2 | Silver | 10 |
| | DIH5-2-LM• | 3/4 | Silver | 10 |
| Five outlets (2-side) | | | | |
|  B1501SGR | B1501SGR | 1/2 | Silver | 16 |
| | B1502SG | 3/4 | Silver | 25 |
| | | | | |
| Six outlets (3-side) | | | | |
|  IH6S2-1 | IH6S2-1• | 1/2 | Silver | 25 |
| | IH6S2-2• | 3/4 | Silver | 25 |

Note: Raintight when used with appropriate Red•Dot® covers. Boxes supplied with 2 closure plugs and ground screw.
• With mounting lugs

Two-gang







| | Cat. No. | Hub Size (in.) | Color | Std. ctn. |
|---|-----------|----------------|--------|-----------|
| Three outlets | | | | |
|  2IH3-1 | 2IH3-1• | 1/2 | Silver | 10 |
| | 2IH3-2• | 3/4 | Silver | 10 |
| | D-PAK | | | |
| D2IH3-1 | 1/2 | Silver | 6 | |
| Four outlets | | | | |
|  2IH4-1 | 2IH4-1• | 1/2 | Silver | 10 |
| | 2IH4-2• | 3/4 | Silver | 10 |
| Five outlets | | | | |
|  2IH5-1 | 2IH5-1• | 1/2 | Silver | 10 |
| | 2IH5-2• | 3/4 | Silver | 10 |
| Five outlets (2-side) | | | | |
|  2IH5S2-1 | 2IH5S2-1• | 1/2 | Silver | 10 |
| | 2IH5S2-2• | 3/4 | Silver | 10 |
| | B25D30G | 1 | Silver | 10 |
| Seven outlets | | | | |
|  2IH7-1 | 2IH7-1• | 1/2 | Silver | 10 |
| | 2IH7-2• | 3/4 | Silver | 10 |
| Seven outlets (2-side) | | | | |
|  2IH7S2-1 | 2IH7S2-1• | 1/2 | Silver | 10 |
| | 2IH7S2-2• | 3/4 | Silver | 10 |

Note: Raintight when used with appropriate Red•Dot® covers. Boxes supplied with 2 closure plugs and ground screw.
• With mounting lugs





Weatherproof metallic boxes

Universal boxes and covers


Deep boxes—single- and multi-gang

| | Cat. No. | Hub Size (in.) | Color | Std. ctn. | |
|---|-----------|----------------|--------|--------------|-----------|
| Three outlets | | | | | |
|  | IHD3-1• | ½ | Silver | 10 | |
| | IHD3-2• | ¾ | Silver | 10 | |
| | IHD3-3• | 1 | Silver | 10 | |
| Four outlets | | | | | |
|  | IHD4-1• | ½ | Silver | 10 | |
| | IHD4-2• | ¾ | Silver | 10 | |
| Two-gang five outlets | | | | | |
|  | 2IHD5-1• | ½ | Silver | 5 | |
| | 2IHD5-2• | ¾ | Silver | 5 | |
| | 2IHD5-3• | 1 | Silver | 5 | |
| Two-gang seven outlets | | | | | |
|  | 2IHD7S2-3 | 1 | Silver | 36 | |
| Close-up plugs—zinc | | | | | |
|  | Cat. No. | Hub Size (in.) | Color | Material | Std. ctn. |
| | PLG-1-RD | ½ | Silver | Zinc | 100 |
| | PLG-2-RD | ¾ | Silver | Zinc | 100 |
| | PLG-3-RD | 1 | Silver | Zinc | 100 |
| D-PAK® | | | | | |
|  | DPLG-1 | ½ | Silver | Zinc | 30 |
| | DPLG-1-BR | ½ | Bronze | Non-metallic | 75 |
| | DPLG-1-WH | ½ | White | Non-metallic | 75 |
| | DPLG-2 | ¾ | Silver | Zinc | 30 |


Extensions—single-gang

| | Cat. No. | Hub size (in.) | Description | Color | Std. ctn. |
|---|-----------|----------------|--|--------|-----------|
| No outlets—1" deep | | | | | |
|  | IHE | N/A | Extension ring for one-gang box with gasket and screws | Silver | 10 |
| Four outlets—1½" deep | | | | | |
|  | S121E-R | ½ | 4-hole extension ring for one-gang box with 4 plugs, gasket and screws | Silver | 6 |
| Two outlets, flanged—1½" deep add on | | | | | |
|  | IHEF2-1 | ½ | 2-hole flanged box extension adapter with 1 plug gasket and screws | Silver | 5 |
| | IHEF2-2 | ¾ | | | |
| Six outlets, flanged—1½" deep add on | | | | | |
|  | IHEF6S2-1 | ½ | 6-hole flanged box extension adapter with 4 plugs, gasket and screws | Silver | 5 |
| | IHEF6S2-2 | ¾ | | | |


Extensions—Two-gang

| | Cat. No. | Hub size (in.) | No. of Hubs | Description | Color | Std. ctn. |
|--|----------|----------------|-------------|--|--------|-----------|
| Deep | | | | | | |
|  | 2IHE | N/A | 0 | Extension ring for two-gang boxes with gasket and screws | Silver | 10 |

Extensions—Round

| | Cat. No. | Hub size (in.) | No. of Hubs | Description | Color | Std. ctn. |
|--|----------|----------------|-------------|--|--------|-----------|
| Four outlets—1½" deep | | | | | | |
|  | S130E | ½ | 4 | Round extension with gasket and screws | Silver | 8 |
| | SE-48 | ¾ | 4 | | Silver | 5 |

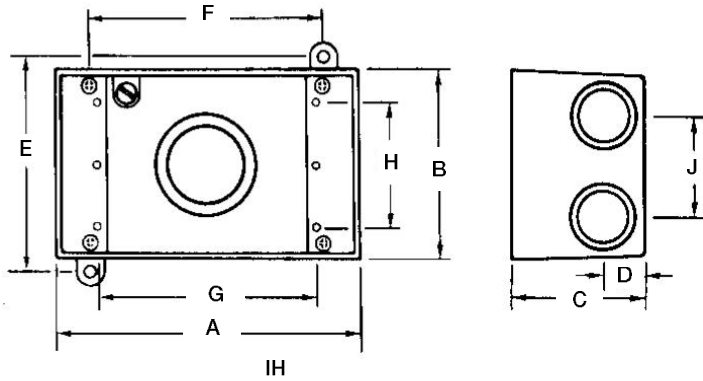
Mounting lugs

| | Cat. No. | Description | Color | Std. ctn. |
|--|----------|---|--------|-----------|
|  | LM | 2 Mounting lugs with self-tapping screws, for LM boxes only | Silver | 100 |

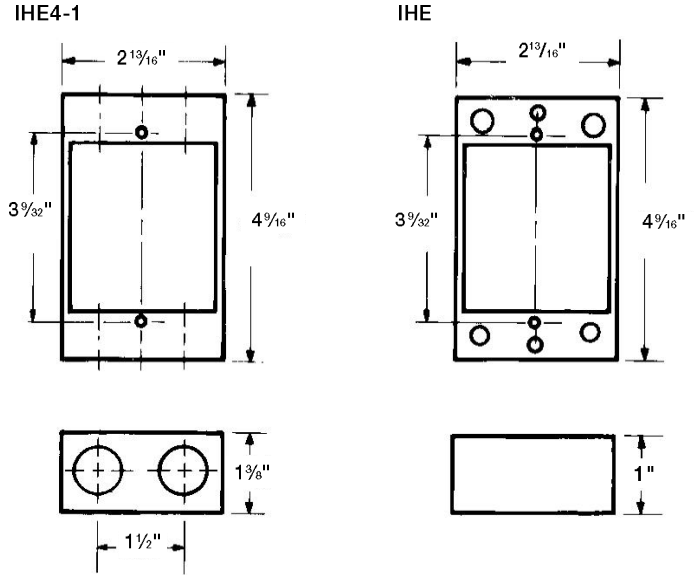
Weatherproof metallic boxes

Universal boxes and covers

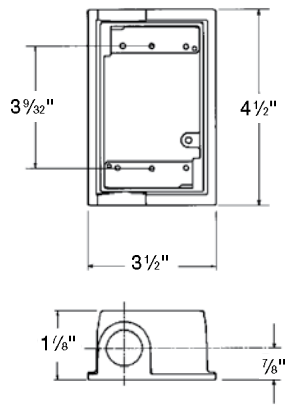
Single-gang boxes



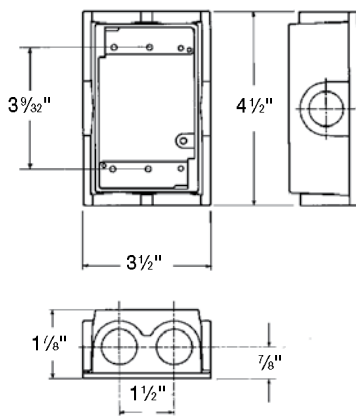
Single-gang extension rings



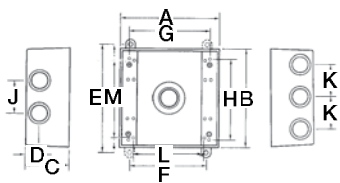
Two-hole flanged box extension adapter IHEF2 (Add-On)



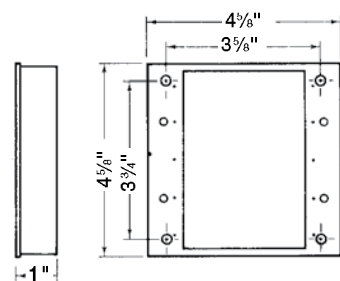
Six-hole flanged box extension adapter IHEF6S2 (Add-On)



Two- and three-gang boxes 2IH & 3IH



Two-gang extension ring 2IHE



| Cat. No. | Hub Size | Dimensions (in.) | | | | | | | | | |
|----------|---------------|------------------|-----------------|----------------|---------------|-----------------|----------------|----------------|----------------|----------------|------|
| | | A | B | C | D | E | F | G | H | J | CI |
| IH-1 | $\frac{1}{2}$ | $4\frac{1}{16}$ | $2\frac{1}{16}$ | 2 | $\frac{3}{8}$ | — | — | $3\frac{3}{4}$ | $1\frac{1}{8}$ | $1\frac{1}{2}$ | 17.3 |
| IH-2 | $\frac{3}{4}$ | $4\frac{1}{16}$ | $2\frac{1}{16}$ | 2 | $\frac{3}{8}$ | — | — | $3\frac{3}{4}$ | $1\frac{1}{8}$ | $1\frac{1}{2}$ | 17.0 |
| IH-LM-1 | $\frac{1}{2}$ | $4\frac{1}{16}$ | $2\frac{1}{16}$ | 2 | $\frac{3}{8}$ | $3\frac{3}{16}$ | $3\frac{1}{2}$ | $3\frac{3}{4}$ | $1\frac{1}{8}$ | $1\frac{1}{2}$ | 17.3 |
| IH-LM-2 | $\frac{3}{4}$ | $4\frac{1}{16}$ | $2\frac{1}{16}$ | 2 | $\frac{3}{8}$ | $3\frac{3}{16}$ | $3\frac{1}{2}$ | $3\frac{3}{4}$ | $1\frac{1}{8}$ | $1\frac{1}{2}$ | 17.0 |
| IH-S-1 | $\frac{1}{2}$ | $4\frac{1}{16}$ | $2\frac{1}{16}$ | 2 | $\frac{3}{8}$ | $3\frac{3}{16}$ | $3\frac{1}{2}$ | $3\frac{3}{4}$ | $1\frac{1}{8}$ | $1\frac{1}{2}$ | 17.0 |
| IH-S-2 | $\frac{3}{4}$ | $4\frac{1}{16}$ | $2\frac{1}{16}$ | 2 | $\frac{3}{8}$ | $3\frac{3}{16}$ | $3\frac{1}{2}$ | $3\frac{3}{4}$ | $1\frac{1}{8}$ | $1\frac{1}{2}$ | 17.0 |
| IHD3-1 | $\frac{1}{2}$ | $4\frac{1}{16}$ | $2\frac{1}{16}$ | $2\frac{5}{8}$ | $\frac{5}{8}$ | $3\frac{3}{16}$ | $3\frac{1}{2}$ | $3\frac{3}{4}$ | $1\frac{1}{8}$ | $1\frac{1}{2}$ | 24.8 |
| IHD3-2 | $\frac{3}{4}$ | $4\frac{1}{16}$ | $2\frac{1}{16}$ | $2\frac{5}{8}$ | $\frac{5}{8}$ | $3\frac{3}{16}$ | $3\frac{1}{2}$ | $3\frac{3}{4}$ | $1\frac{1}{8}$ | $1\frac{1}{2}$ | 24.8 |
| IHD3-3 | 1 | $4\frac{1}{16}$ | $2\frac{1}{16}$ | $2\frac{5}{8}$ | $\frac{3}{4}$ | $3\frac{3}{16}$ | $3\frac{1}{2}$ | $3\frac{3}{4}$ | $1\frac{1}{8}$ | $1\frac{1}{2}$ | 23.5 |

| Cat. No. | Dimensions (in.) | | | | | | | | | | | | |
|----------|------------------|-----------------|-----------------|-----------------|-----------------|----------------|----------------|-----------------|-----------------|-----------------|----------------|-----------------|------|
| | A | B | C | D | E | F | G | H | J | K | L | M | CI |
| 2IH3 | $4\frac{1}{16}$ | $4\frac{1}{16}$ | $2\frac{1}{16}$ | $\frac{3}{8}$ | 5 | $3\frac{1}{2}$ | $3\frac{1}{2}$ | $3\frac{3}{4}$ | — | — | $3\frac{3}{4}$ | $3\frac{3}{16}$ | 31.8 |
| 2IH4 | $4\frac{1}{16}$ | $4\frac{1}{16}$ | $2\frac{1}{16}$ | $\frac{3}{8}$ | 5 | $3\frac{1}{2}$ | $3\frac{1}{2}$ | $3\frac{3}{4}$ | $1\frac{1}{2}$ | — | $3\frac{3}{4}$ | $3\frac{3}{16}$ | 31.8 |
| 2IH5 | $4\frac{1}{16}$ | $4\frac{1}{16}$ | $2\frac{1}{16}$ | $\frac{3}{8}$ | 5 | $3\frac{1}{2}$ | $3\frac{1}{2}$ | $3\frac{3}{4}$ | $1\frac{1}{2}$ | — | $3\frac{3}{4}$ | $3\frac{3}{16}$ | 31.8 |
| 2IH5S2 | $4\frac{1}{16}$ | $4\frac{1}{16}$ | $2\frac{1}{16}$ | $\frac{3}{8}$ | 5 | $3\frac{1}{2}$ | $3\frac{1}{2}$ | $3\frac{3}{4}$ | — | — | $3\frac{3}{4}$ | $3\frac{3}{16}$ | 31.8 |
| 2IH7 | $4\frac{1}{16}$ | $4\frac{1}{16}$ | $2\frac{1}{16}$ | $\frac{3}{8}$ | 5 | $3\frac{1}{2}$ | $3\frac{1}{2}$ | $3\frac{3}{4}$ | — | $1\frac{1}{2}$ | $3\frac{3}{4}$ | $3\frac{3}{16}$ | 30.3 |
| 2IH7S2 | $4\frac{1}{16}$ | $4\frac{1}{16}$ | $2\frac{1}{16}$ | $\frac{3}{8}$ | 5 | $3\frac{1}{2}$ | $3\frac{1}{2}$ | $3\frac{3}{4}$ | $1\frac{1}{2}$ | — | $3\frac{3}{4}$ | $3\frac{3}{16}$ | 32.0 |
| 2IHD5 | $4\frac{1}{16}$ | $4\frac{1}{16}$ | $2\frac{1}{16}$ | $\frac{3}{4}$ | 5 | $3\frac{1}{2}$ | $3\frac{1}{2}$ | $3\frac{3}{4}$ | $1\frac{1}{16}$ | — | $3\frac{3}{4}$ | $3\frac{3}{16}$ | 40.3 |
| 3IHD7 | $4\frac{1}{16}$ | $6\frac{1}{16}$ | $2\frac{1}{16}$ | $1\frac{1}{16}$ | $6\frac{3}{16}$ | $3\frac{1}{2}$ | $3\frac{3}{4}$ | 5 $\frac{1}{8}$ | — | $1\frac{3}{16}$ | $3\frac{3}{4}$ | $3\frac{3}{16}$ | 54.8 |