

Conduits: directions for use

Below are a few short extracts taken from the relevant prescriptions.

VDE 0113/12.73

Metal tubing, pipes and conduits must be used in accordance with the prescribed safety standard.

Paragraph 10.3.1 states that all conduits must be designed to protect against the expected demands made on the product. This is to say, for example, that cable can only be fed through conduit if it is suitably protected from liquids, dust (IP-Protection) and other foreign substances.

Surfaces with which the laid conduits come into contact - such as edges, threads etc. should not damage the insulation of the conduit.

Fittings: directions for use

Conduits and fitting assemblies must be installed in accordance with VDE 0113.

It is not adequate just to feed the conduit into a housing. The conduit must be installed using a lock nut and fitting, which ensure a good electrical connection between the conduit and housing. The conduit must not reduce the protective capability of the housing. In order to ensure the effective installation of the conduit, it is important not only to use a suitable conduit but also to use the appropriate type of fitting. (see IEC-204)

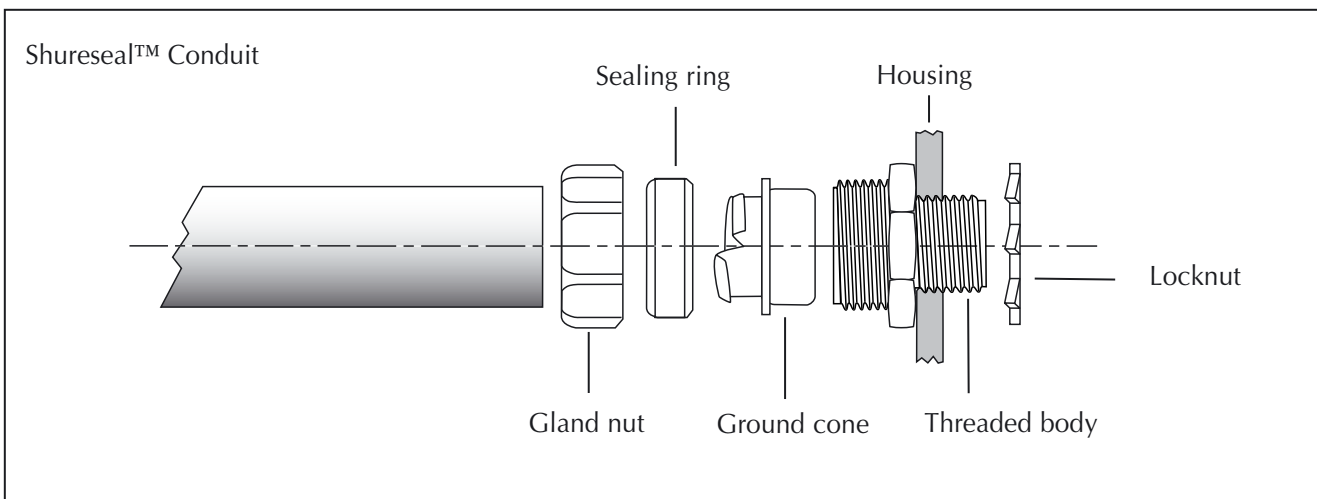
Specifications

Shureseal™ fittings and conduits satisfy the following specifications:

- for heavy industrial applications in accordance with DIN 49012.
- according to IP67 rating
- according to DIN/VDE 0650, section, 2.1.1b
- according to BS731, part 1
- and have the necessary approvals (UL/CSA and VDE)

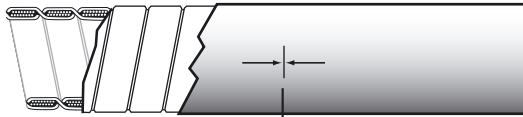
Installation

Installation is simple. The fitting screws easily onto the conduit, without the need for special tools. The fitting can be removed and re-used again at any time. The fitting also performs excellently against severe vibration. The conduit is not deformed by the fitting. In tests, the fittings have been shown to be extremely secure and guarantee a high level of security and reliability.

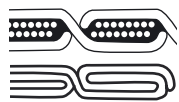


Flexible metallic liquidtight conduits**Type TBEF - universal**

- TBEF (now integrating the TBHT grade) conduit with heavy duty double interlocked / single interlocked (with packing) galvanised steel core
- Universal conduit for all liquidtight applications requiring good mechanical strength and flexibility: machinery, conveyors, etc.
- Cotton packing for high flexibility (up to 1 1/4")
- High performance acid and oil resistant, self-extinguishing PVC jacket
- High mechanical stability
- Tested and certified in accordance with DIN VDE 0605:1982-04 (File Nr: 24058-5410-0050 / 32CRB F41 / LR, Document Nr.: 131354)
- Marked lengths (every 1 m) for quick and easy measuring and cutting



Length marking



1/4" - 1 1/4"

1 1/2" - 4"

**Technical Information**

Outer jacket	PVC, self-extinguishing
Core	Galvanised steel
Packing	Cotton (up to 1 1/4")
Colour	Black or grey**
Temperature range	Static: -25°C to +105°C Flexing: -5°C to +105°C
Voltage breakdown (flash test)	> 2 kV
Insulation resistance	> 100 MOhm
System IP rating	IP67, when correctly installed with T&B liquidtight fittings

** (Grey available upon request. Suffix = G, e.g. TBEF0250-50-G)

Approvals**Ordering Information**

PRODUCT REF.	NOMINAL SIZE	METRIC SIZE	FOR PG CONNECTION	LENGTH	INTERNAL DIAMETER	EXTERNAL DIAMETER	MIN. BENDING RADIUS	MECHANICAL VALUES			WEIGHT [kg/100 m]	TYPE OF PACKAGING
								MIN. TENSILE STRENGTH	MIN. COMPRESSION STRENGTH			
									[N]	[N]		
TBEF0250-50*	1/4	10	7	50	6.2	11.4	45	500	1250	20.0	A	
TBEF0312-50*	5/16	12	9	50	10.0	14.4	50	500	1250	22.2	A	
TBEF0375-10	3/8	16	11 / 13.5	10	12.5	17.8	50	1000	1250	41.9	A	
TBEF0375-75	3/8	16	11 / 13.5	75	12.5	17.8	50	1000	1250	41.9	B	
TBEF0500-10	1/2	20	16	10	16.0	21.1	75	1000	1250	48.1	A	
TBEF0500-60	1/2	20	16	60	16.0	21.1	75	1000	1250	48.1	B	
TBEF0750-10	3/4	25	21	10	21.0	26.4	90	1000	1250	68.9	A	
TBEF0750-50	3/4	25	21	50	21.0	26.4	90	1000	1250	68.9	C	
TBEF1000-30	1	32	29	30	26.0	33.1	110	1000	1250	97.5	C	
TBEF1250-30	1 1/4	40	36	30	34.8	41.8	130	1000	1250	123.3	C	
TBEF1500-15*	1 1/2	50	42	15	40.4	47.7	190	2500	1250	144.8	C	
TBEF2000-15*	2	63	48	15	51.6	60.0	250	2500	1250	161.0	C	
TBEF2500-15*	2 1/2	75	-	15	63.3	72.6	480	2500	1250	298.0	C	
TBEF3000-7*	3	-	-	7	78.4	88.4	760	2500	1250	327.8	C	
TBEF4000-7*	4	-	-	7	102.1	113.8	860	2500	1250	394.4	C	

* Not VDE approved

Packaging sizes: A= box 370 x 370 x 180 mm

B= box 500 x 500 x 275 mm

C= reel 800 mm ø

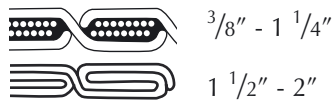
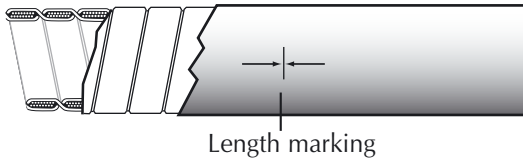
See page 224 for explanations on min. bending radius and temperature ranges

For T&B liquidtight fittings see pages 238 to 246

Shureseal™

Flexible metallic liquidtight conduits Type TBDL - dual listed UL & CSA

- Type TBDL with UL / CSA approval, heavy duty double interlocked / single interlocked galvanised steel core
- Export and North-America oriented applications: multi-national projects, power plant, ...
- Copper wire packing for improved grounding (up to 1 1/4")
- High performance, acid- and oil-resistant PVC jacket, self-extinguishing in accordance with UL360
- Extremely high mechanical stability
- Marked lengths (every 1 m) for simple measuring and cutting
- Silicone free



4.1

Technical Information

Outer jacket	PVC, self-extinguishing in 60 seconds
Core	Galvanised steel
Packing	Flat copper conductor (up to 1 1/4")
Colour	Black
Temperature range	Static: -25°C to +105°C (+120°C intermittent) Flexing: -5°C to +105°C UL rating: -10°C to +60°C CSA rating: -10°C to +75°C
System IP rating	IP67, when correctly installed with T&B liquidtight fittings

Approvals



LL091693



E125517

Ordering Information

PRODUCT REF.	NOMINAL SIZE	METRIC SIZE	FOR PG CONNECTION	LENGTH	INTERNAL DIAMETER	EXTERNAL DIAMETER	MIN. BENDING RADIUS	MECHANICAL VALUES		WEIGHT	TYPE OF PACKAGING
								MIN. TENSILE STRENGTH	MIN. COMPRESSION STRENGTH		
	[inch]	[mm]		[m]	[mm]	[mm]	[mm]	[N]	[N]	[kg/100 m]	
TBDL0375-75	3/8	16	11 / 13.5	75	12.5	17.8	50	1000	4000	39.4	B
TBDL0500-60	1/2	20	16	60	16.0	21.1	80	1000	4000	48.5	B
TBDL0750-50	3/4	25	21	50	21.0	26.4	105	1000	1250	66.3	C
TBDL1000-30	1	32	29	30	26.0	33.1	165	1000	4000	112.0	C
TBDL1250-30	1 1/4	40	36	30	34.8	41.8	200	1000	1250	160.0	C
TBDL1500-15	1 1/2	50	42	15	40.4	47.7	280	2500	4000	193.5	C
TBDL2000-15	2	63	48	15	51.6	60.0	355	2500	1250	253.0	C

Packaging sizes: B = box 500 x 500 x 275 mm

C = reel 800 mm ø

See page 224 for explanations on min. bending radius and temperature ranges

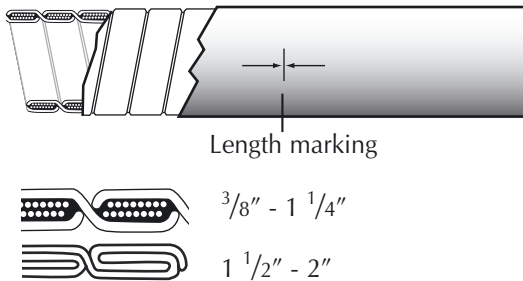
Other sizes available upon request - please contact your Sales Office

For T&B liquidtight fittings see pages 238 to 246

Flexible metallic liquidtight conduits

Type TBOR - oil resistant

- Type TBOR, with heavy duty double interlocked / single interlocked (with packing) galvanised steel core
- Applications in greasy environments: machine tools, assembly machines, hydraulic machinery
- Cotton packing for high flexibility (up to 1 1/4")
- High performance acid- and oil-resistant PVC outer jacket, self-extinguishing within 30 seconds
- High mechanical stability in accordance with DIN 49 012
- Marked lengths (every 1m) for quick and easy measuring and cutting

**Technical Information**

Outer jacket	PVC, self-extinguishing within 30 seconds
Core	Galvanised steel
Packing	Cotton (up to 1 1/4")
Colour	Black
Temperature range	Static: -25°C to +105°C Flexing: -5°C to +105°C
Voltage breakdown (flash test)	> 2 kV
Insulation resistance	> 100 MOhm
System IP rating	IP67, when correctly installed with T&B liquidtight fittings

Ordering Information

PRODUCT REF.	NOMINAL	METRIC	FOR PG	LENGTH	INTERNAL	EXTERNAL	MIN.	MECHANICAL VALUES		WEIGHT	TYPE			
	SIZE	SIZE	CONNECTION					DIAMETER	DIAMETER			BENDING	MIN. TENSILE	MIN. COMPRESSION
	[inch]	[mm]						[mm]	[mm]			RADIUS	STRENGTH	STRENGTH
				[m]	[mm]	[mm]	[mm]	[N]	[N]	[kg/100 m]	OF			
											PACKAGING			
TBOR0375-75	3/8	16	11 / 13.5	75	12.5	17.8	50	1000	1250	41.9	B			
TBOR0500-60	1/2	20	16	60	16.0	21.1	75	1000	1250	48.1	B			
TBOR0750-50	3/4	25	21	50	21.0	26.4	90	1000	1250	68.9	C			
TBOR1000-30	1	32	29	30	26.0	33.1	110	1000	1250	97.5	C			
TBOR1250-30	1 1/4	40	36	30	34.8	41.8	130	1000	1250	123.3	C			
TBOR1500-15	1 1/2	50	42	15	40.4	47.7	190	2500	1250	144.8	C			
TBOR2000-15	2	63	48	15	51.6	60.0	250	2500	1250	161.0	C			

Packaging sizes: B = box 500 x 500 x 275 mm

C = reel 800 mm ø

See page 224 for explanations on min. bending radius and temperature ranges

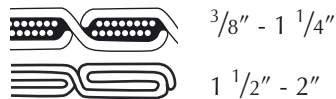
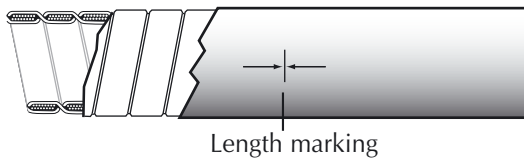
Other sizes available upon request - please contact your Sales Office

For T&B liquidtight fittings see pages 238 to 246

Shureseal™

Flexible metallic liquidtight conduits Type TBEHC - extreme heat/cold

- Applications at extreme temperatures: refrigeration, transportation, industrial HVAC, heavy industries
- Very high tolerance to extreme changes in temperature
- Heavy duty double interlocked / single interlocked (with packing) galvanised steel core
- Cotton packing for high flexibility (up to 1 1/4")
- High performance acid- and oil-resistant Polyester jacket, self-extinguishing according to UL 94 V-2
- High mechanical stability in accordance with DIN 49 012
- Marked lengths (every 1m) for quick and easy measuring and cutting



4.1

Technical Information

Outer jacket	Polyester, self-extinguishing within 30 seconds
Core	Galvanised steel
Packing	Cotton (up to 1 1/4")
Colour	Black
Temperature range	Static: -50°C to +130°C (+150°C intermittent) Flexing: -5°C to +130°C
Voltage breakdown (flash test)	> 2 kV
System IP rating	IP67, when correctly installed with T&B liquidtight fittings

Ordering Information

PRODUCT REF.	NOMINAL SIZE	METRIC SIZE	FOR PG CONNECTION	LENGTH	INTERNAL DIAMETER	EXTERNAL DIAMETER	MIN. BENDING RADIUS	MECHANICAL VALUES			WEIGHT	TYPE OF PACKAGING
								MIN. TENSILE STRENGTH	MIN. COMPRESSION STRENGTH			
									[N]	[N]		
TBEHC0375-30	3/8	16	11 / 13.5	30	12.5	17.8	50	1000	1250	40.7	B	
TBEHC0500-30	1/2	20	16	30	16.0	21.1	75	1000	1250	45.0	B	
TBEHC0750-30	3/4	25	21	30	21.0	26.4	90	1000	1250	64.5	C	
TBEHC1000-30	1	32	29	30	26.0	33.1	110	1000	1250	90.7	C	
TBEHC1250-30	1 1/4	40	36	30	34.8	41.8	130	1000	1250	112.6	C	
TBEHC1500-15	1 1/2	50	42	15	40.4	47.7	190	2500	1250	134.5	C	
TBEHC2000-15	2	63	48	15	51.6	60.0	250	2500	1250	148.7	C	

Packaging sizes: B = box 500 x 500 x 275 mm
C = reel 800 mm ø

See page 224 for explanations on min. bending radius and temperature ranges

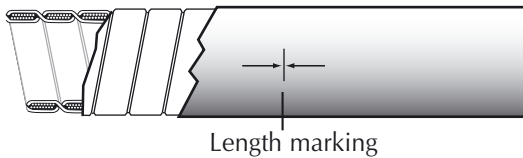
Other sizes available upon request - please contact your Sales Office

For T&B liquidtight fittings see pages 238 to 246

Special fittings (HT series) rated at 150°C are now available for high temperature applications - please contact your Sales Office for product availability

Flexible metallic liquidtight conduits Type TBZH - zero halogen

- Halogen free and low smoke outer jacket
- Ideal for applications where human lives can be a concern: public transportation, metro, train,...
- Heavy duty double interlocked / single interlocked (with packing) galvanised steel core
- Cotton packing for high flexibility (up to 1 1/4")
- High performance acid- and oil-resistant Olefin outer jacket, self-extinguishing within 30 seconds
- For use in safety areas (tunnels, public areas and transportation equipment)
- Marked lengths (every 1m) for quick and easy measuring and cutting
- NFF16-101 / NFF16-102 tested: I index = I3 (oxygen index = 40.7), F index = F1



Technical Information

Outer jacket	Olefin, self-extinguishing within 30 seconds
Core	Galvanised steel
Packing	Cotton (up to 1 1/4")
Colour	Black
Temperature range	Static: -25°C to +90°C Flexing: -5°C to +90°C
Voltage breakdown (flash test)	> 2 kV
Insulation resistance	> 100 MOhm
System IP rating	IP67, when correctly installed with T&B liquidtight fittings

Ordering Information

PRODUCT REF.	NOMINAL SIZE	METRIC SIZE	FOR PG CONNECTION	LENGTH	INTERNAL DIAMETER	EXTERNAL DIAMETER	MIN. BENDING RADIUS	MECHANICAL VALUES			WEIGHT	TYPE OF PACKAGING
								MIN. TENSILE STRENGTH	MIN. COMPRESSION STRENGTH			
									[N]	[N]		
TBZH0375-75	3/8	16	11 / 13.5	75	12.5	17.8	60	1000	1250	41.9	B	
TBZH0500-60	1/2	20	16	60	16.0	21.1	90	1000	1250	48.1	B	
TBZH0750-50	3/4	25	21	50	21.0	26.4	110	1000	1250	68.9	C	
TBZH1000-30	1	32	29	30	26.0	33.1	130	1000	1250	97.5	C	
TBZH1250-30	1 1/4	40	36	30	34.8	41.8	160	1000	1250	123.3	C	
TBZH1500-15	1 1/2	50	42	15	40.4	47.7	230	2500	1250	144.8	C	
TBZH2000-15	2	63	48	15	51.6	60.0	300	2500	1250	161.0	C	

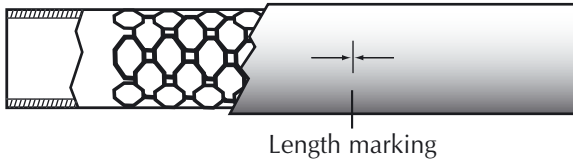
Packaging sizes: B = box 500 x 500 x 275 mm
C = reel 800 mm ø

For T&B liquidtight fittings see pages 238 to 246

Shureseal™

Flexible non-metallic liquidtight conduits Type LNMP - smooth outer surface

- UL and CSA approved
- Double layer construction offers a high level of mechanical stability for plastic tubing
- The Nylon lining between the 2 layers ensures a high level of flexibility
- High performance, durable acid- and oil resistant PVC outer jacket
- Perfectly designed for fittings which have to be safe, secure and electrically insulated
- Marked in lengths of 1 foot / 30.48 cm for quick and easy measuring and cutting
- High retention assured when used in association with T&B special fittings (Product Ref. 37XX and 63XX) (see pages 247 and 248)



4.1

Technical Information

Material	2 layers of PVC with a woven Nylon fabric in between
Colour	Orange
Temperature range	-20°C to +60°C
System IP rating	IP66, when correctly installed with T&B liquidtight fittings

Approvals



E 79308 (N)



LL018858

Ordering Information

PRODUCT REF.	NOMINAL SIZE [inch]	METRIC SIZE [mm]	FOR PG CONNECTION	LENGTH [m]	INTERNAL DIAMETER [mm]	EXTERNAL DIAMETER [mm]	MIN. BENDING RADIUS [mm]	WEIGHT [kg/100 m]	TYPE OF PACKAGING
LNMP038-75	3/8	16	11 / 13.5	75	12.32	19.63	63.5	23.3	D
LNMP050-60	1/2	20	16	60	15.75	23.62	76.2	33.3	D
LNMP075-50	3/4	25	21	50	20.70	29.72	101.6	46.7	D
LNMP100-30	1	32	29	30	26.16	36.58	152.4	63.3	D
LNMP125-30	1 1/4	40	36	30	34.80	46.36	177.8	93.3	D
LNMP150-15	1 1/2	50	42	15	40.26	52.83	203.2	120.0	E
LNMP200-15	2	63	48	15	52.71	65.79	228.6	180.0	E

Packaging sizes: D = Box 860 x 860 x 165 mm
E = Box 1060 x 1060 x 195 mm

For T&B liquidtight fittings for non-metallic conduits see pages 247 and 248

Shureseal™

Flexible non-metallic liquidtight conduits Type EFC - with strengthened inner coil

- Highly flexible, liquidtight plastic tubing with strengthened inner coil
- UV-resistant and weatherproof
- High chemical resistance
- UL recognised under File No. E 96548
- CSA approved File No. LL 067241
- Crush-resistant due to stiffening effects of strengthened inner coil
- The ultra-smooth inner surface ensures that cables and conductors can be fed through very easily
- Can be used with plastic or metallic T&B “Bullet” fittings (see pages 249 to 253)



Technical Information

Material	PVC
Colour	Black or orange* or blue*
Temperature range	-18°C to +75°C (CSA) -18°C to +60°C (UL)
System IP rating	IP65, when correctly installed with T&B liquidtight fittings

* Add suffix -1 for orange, -2 for blue to Product Ref. (e.g. EFC025-1 for orange conduit)



Approvals



LL067241



E96548

Ordering Information

PRODUCT REF.	NOMINAL SIZE [inch]	METRIC SIZE [mm]	LENGTH [m]	INTERNAL DIAMETER [mm]	EXTERNAL DIAMETER [mm]	MIN. BENDING RADIUS [mm]	WEIGHT [kg/100 m]	TYPE OF PACKAGING
EFC025	1/4	10	30.5	10.0	14.6	20	7.3	reel
EFC038	3/8	16	30.5	12.3	18.0	25	10.7	reel
EFC050	1/2	20	30.5	15.8	21.3	30	12.4	reel
EFC075	3/4	25	30.5	20.8	26.7	40	15.3	reel
EFC100	1	32	30.5	26.4	33.4	50	23.8	reel
EFC125	1 1/4	40	30.5	35.1	42.2	60	31.6	reel
EFC150	1 1/2	50	15.2	40.0	48.3	70	43.8	reel
EFC200	2	63	15.2	51.3	60.3	85	59.5	reel

For T&B “Bullet” fittings see pages 249 to 253

Flexible conduits

Material specifications

4.1

This chart gives an indication of the capabilities of the Shureseal™ liquidtight flexible metallic conduits. It is extremely difficult to provide data on all possible combinations or conditions that can occur.

Therefore it is recommended that this information should be used as a guideline and that the conduit should be tested in the intended application by the user, to determine suitability. If you have specific requirements, please contact Technical Support.

Material specifications table

CHEMICAL	TBEF	TBOR	TBHC	TBZH	TBDL	EFC	LNMP	PGS
OILS AND HYDROCARBONS								
ASTM Oil No 1	T	T	G	P	T	G	-	T
ASTM Oil No 2	T	T	G	P	L	-	-	L
ASTM Oil No 3	T	T	G	P	T	L	L	T
Diesel Oil	T	T	T	T	T	L	L	T
Lubricating Oil	L	L	G	L	L	G	G	L
Paraffin Oil	G	G	T	T	G	G	-	G
Petrol	G	G	L	T	G	-	-	G
Skydrol 500B	T	T	G	T	T	-	P	T
Transformer Oil	T	T	T	T	T	-	-	T
Vegetable Oils	T	T	T	T	T	-	G	T
ORGANIC SOLVENTS								
Acetone	P	P	L	P	P	P	P	P
Benzene	P	P	L	P	P	P	P	P
Ethyl Alcohol	P	P	L	L	P	G	L	P
Ethylene Glycol	L	L	G	T	L	G	G	L
Eteon 12	T	T	G	T	T	-	-	T
Methyl Alcohol	P	P	G	L	P	G	L	P
Methyl Ethyl Ketone	T	T	L	P	T	P	P	T
Toluene 100 %	P	P	L	L	P	P	P	P
Turpentine 100 %	L	L	T	L	L	L	L	L
White Spirit	T	T	T	L	T	-	-	T
ACIDS AND SALTS GIVING ACID SOLUTIONS								
Acetic Acid 10 %	G	G	G	T	G	G	G	G
Acetic Acid 20%	L	L	G	T	L	-	-	L
Hydrochloric Acid 10 %	-	-	-	-	-	-	G	-
Hydrochloric Acid 20 %	L	L	L	P	L	G	-	L
Hydrochloric Acid 40 %	-	-	-	-	-	-	L	-
Lactic Acid (90%)	T	T	T	T	T	P	-	T
Oxalic Acid	G	G	T	T	G	G	G	G
Zinc Chloride	G	G	G	T	G	G	G	G
BASES AND SALTS GIVING BASIC SOLUTIONS								
Aluminium Chloride (10%)	G	G	G	G	G	G	G	G
Sodium Hydroxide (20%)	T	T	G	G	T	G	G	T
Sodium Hydroxide (45%)	T	T	L	L	T	G	G	T
OTHERS								
Ozone Gas	G	G	T	T	G	-	-	G
Sea Water	G	G	G	G	G	G	G	G

- G = Good
- L = Limited
- P = Poor
- S = Swelling
- T = No data available
likely to have minor effect

Shureseal™

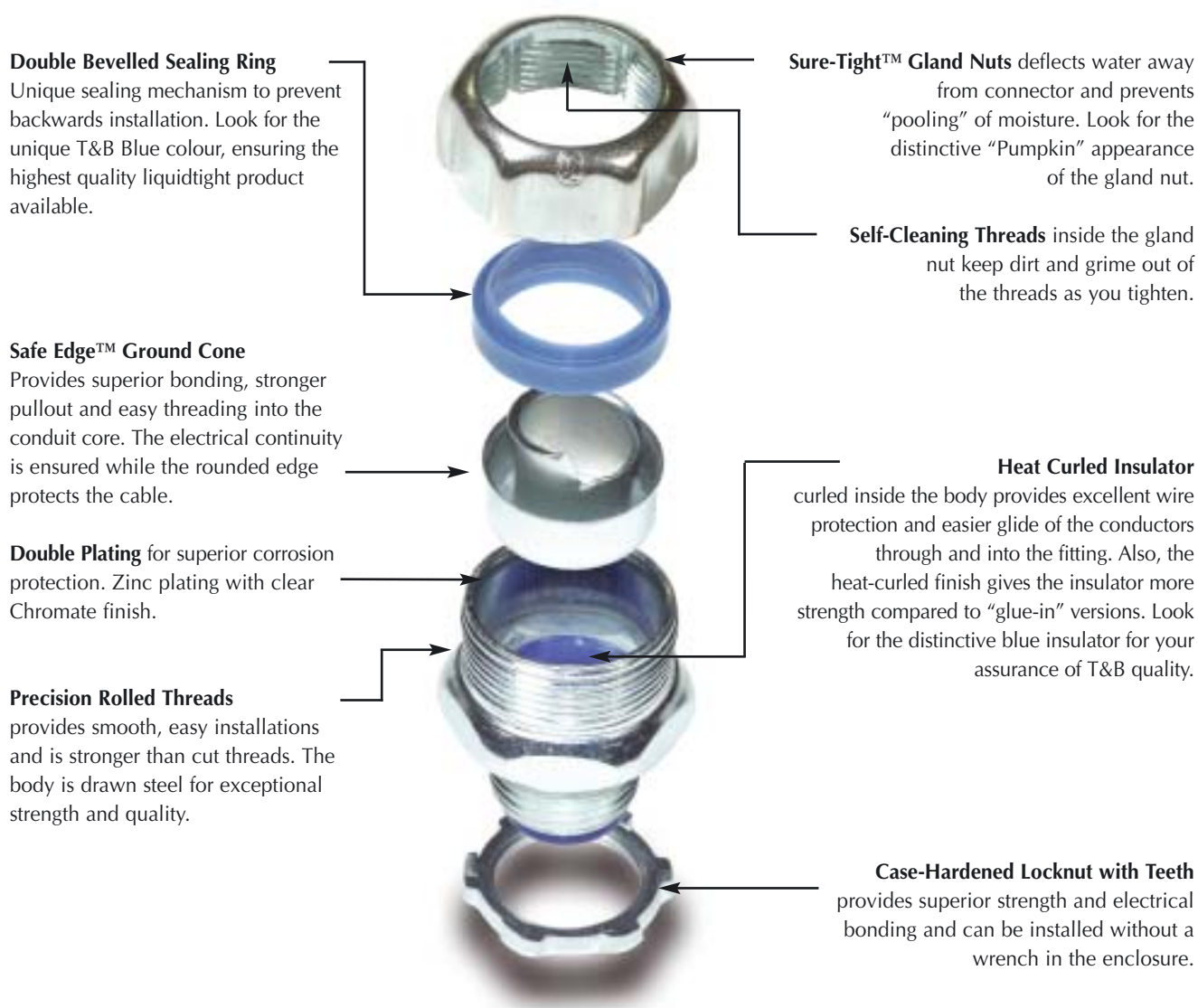
Liquidtight fittings for flexible metallic conduits

Product description

A standard fitting assembly is made of 4 pieces:

1. A screw body with a nylon throat on the connection side
2. The ground cone
3. The patented Nylon sealing ring
4. A gland nut

In addition, a locknut is supplied with the fittings with NPT thread.



Product description

When correctly installed, the Shureseal™ fittings produce a positive seal against oil, liquids, moisture and dust.

The main features of the assembly include:

- a high resistance to conduit pull-off and a great resistance to vibration from machines
- an excellent earth continuity
- simplicity of installation: ability to install quickly by hand (or with standard spanners or wrenches, but no special tools are needed)
- the fittings will not damage or distort the flexible conduit.
- the nylon throat bush makes it easier to pull wires through without risk of damage.
- the fittings have a rugged construction and can be disconnected and reused.
- available with N.P.T., Imperial, P.G. and metric (I.S.O.) threads
- excellent IP ratings

The patented ground cone design offers the following advantages:

- it compresses the metallic convolutions of the conduit, providing a high quality ground contact with low impedance and a high conduit pull-off resistance
- the single helical thread on the ground cone is easy to install without cross threading
- it tolerates variations in conduit diameters and convolution pitch
- its rolled-over edge protects the conductors

The patented sealing ring design has the following exclusive features:

- it grips and seals the conduit without damaging the conduit jacket
- its symmetrical shape assures a foolproof assembly
- it ensures a positive seal against oils, liquids, moisture and dust

The range of fittings includes 5 different styles:

- straight version
- 45° version
- 90° version
- "Chase" = compact version for confined spaces, behind panels and boxes
- "Female Hub" version, for connecting flexible conduit direct to rigid conduit and flexible conduits

Approvals

- C.E.G.B. approved (UK)
- UL listed Liquidtight File No E 23018
- ISO threads per BS 4568
- PG threads per DIN 40430
- Canadian Standard Association:
File No. 002884, File No. LR 052391, File No. LR 82069

Easy assembly without the requirement of any special tooling

1. Slide the gland nut and the sealing ring onto the conduit



2. Screw the ground cone into the conduit (between the convolutions) as far as possible



3. Screw the body and the gland nut together and tighten



The Thomas & Betts fittings are available in four different thread forms: NPT (National Pipe Taper), PG (Panzergewinde), Imperial and metric (I.S.O.).

NPT and PG threads have different contours (fig. 1 & 2). However a fitting with a male NPT thread (up to 2 inches) can easily be screwed into a part with a female PG thread (see table of compatibility for correspondences)

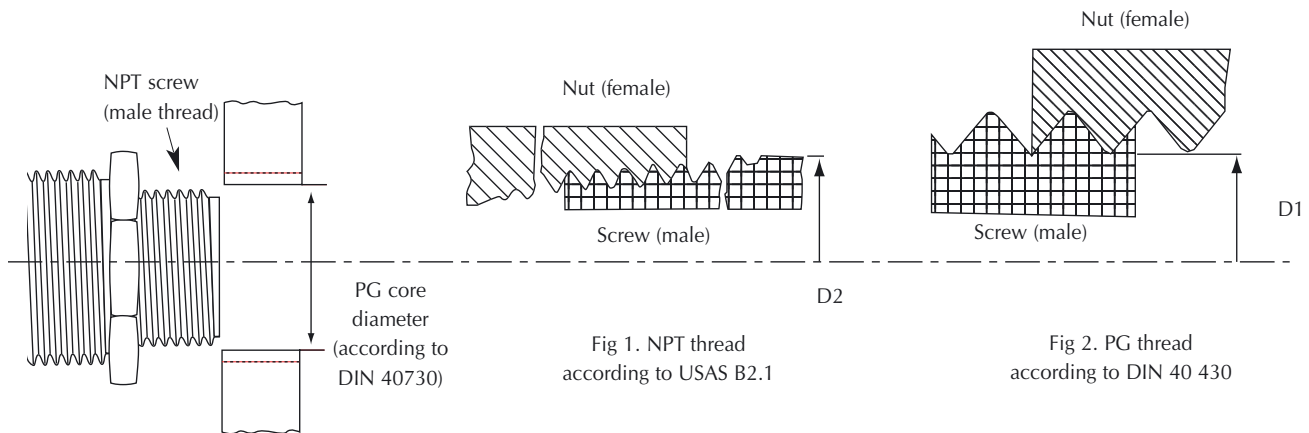


Fig 1. NPT thread according to USAS B2.1

Fig 2. PG thread according to DIN 40 430

Table of compatibility

NPT MALE THREAD SIZE [inch]	MAX. OUTER DIAMETER D2 (ON NPT MALE THREAD) [mm]		MIN. CORE DIAMETER D1 (ON PG FEMALE THREAD) [mm]	CORRESPONDING PG FEMALE THREAD SIZE
3/8	16.66	→	17.26	PG 11
3/8	16.66	→	19.06	PG 13.5
1/2	20.96	→	21.16	PG 16
3/4	26.44	→	26.78	PG 21
1	33.25	→	35.48	PG 29
1 1/4	41.91	→	45.48	PG 36
1 1/2	47.80	→	52.48	PG 42
2	59.61	→	57.78	PG 48

Liquidtight fittings for flexible metallic conduits

General information

Technical Information

Conduit type	Shureseal™ flexible metallic conduit
Style	Straight, 90° and 45°
Thread	NPT, Metric (I.S.O.), PG and Imperial
IP rating	IP67
Material	Galvanised steel chromate finish
Inner sleeve and sealing ring	Polyamide
Colour	Metallic

Special fittings (HT series) rated at 150°C are now available for high temperature applications - please contact your Sales Office for product availability



Approvals



002884



E23018

Shureseal™

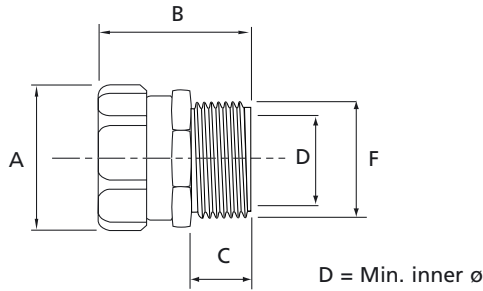
Liquidtight fittings for flexible
metallic conduits
Straight fittings



E23018



002884



Ordering Information

PRODUCT REF.	FOR CONDUIT SIZE [inch]	THREAD SIZE	DIMENSIONS					WEIGHT [kg/100]	QUANTITY [pieces]
			A [mm]	B [mm]	C [mm]	D [mm]	F [mm]		
STRAIGHT FITTING WITH METRIC (I.S.O.) THREAD									
9306*	5/16	M16	22	36	12	10.0	16.0	5.1	25
9307	5/16	M20	22	36	12	10.0	20.0	5.1	25
9330*	1/4	M16	22	36	12	6.0	16.0	3.5	25
9331*	1/4	M20	22	36	12	6.0	20.0	3.5	25
9360	3/8	M16	29	40	16	11.0	16.0	6.3	25
9361	3/8	M20	29	40	16	11.0	20.0	6.3	25
9362	1/2	M20	35	42	16	14.5	20.0	8.1	25
9363	3/4	M25	42	45	16	20.0	25.0	12.6	25
9364	1	M32	47	54	15	25.0	32.0	23.0	5
STRAIGHT FITTING WITH PG THREAD									
7329	1/4	PG 7	12	23	6	5.6	12.2	2.2	25
7330*	1/4	PG 9	21	36	12	6.0	15.2	3.5	25
7360*	5/16	PG 9	26	36	12	10.0	15.2	5.1	25
7361	3/8	PG 11	29	40	14	11.0	18.6	6.3	25
7362	3/8	PG 13.5	29	40	14	11.0	20.4	6.3	25
7363	1/2	PG 16	35	41	14	14.5	22.5	8.1	25
7364	3/4	PG 21	42	43	14	20.0	28.3	12.6	25
7365	1	PG 29	47	56	19	25.0	37.0	23.0	5
7366	1 1/4	PG 36	58	67	21	33.5	47.0	41.4	5
7367	1 1/2	PG 42	69	72	21	38.5	54.0	47.3	2
7368	2	PG 48	83	81	21	49.5	59.3	72.0	1
STRAIGHT FITTING WITH NPT THREAD (SUPPLIED WITH LOCKNUT)									
5229**	1/4	1/4"	21	35	12	6.0	–	3.5	25
5330**	5/16	3/8"	25	35	12	10.0	–	5.1	25
5331	3/8	1/2"	29	38	14	11.0	–	6.3	25
5332	1/2	1/2"	35	40	14	14.5	–	8.1	25
5333	3/4	3/4"	42	41	14	20.0	–	12.6	25
5334-TB	1	1"	48	52	19	25.0	–	23.0	10
5335	1 1/4	1 1/4"	58	64	21	33.5	–	41.4	5
5336	1 1/2	1 1/2"	69	68	21	38.5	–	47.3	2
5337	2	2"	83	78	22	49.5	–	72.0	5
5338	2 1/2	2 1/2"	95	105	25	61.0	–	135.5	5
5339	3	3"	114	108	25	75.0	–	168.8	5
5340	4	4"	140	114	29	99.0	–	275.4	1
STRAIGHT FITTING WITH IMPERIAL THREAD									
6365	1 1/4	1 1/2"	58	64	21	33.5	–	41.4	5
6366	1 1/2	2"	69	68	21	38.5	–	47.3	2
6367	2	2 1/2"	83	78	22	49.5	–	72.0	5

* The products with a * are not UL/CSA approved

** The products with a ** are not UL/CSA approved and are supplied without locknut

See pages 238 to 240 for product description and technical information

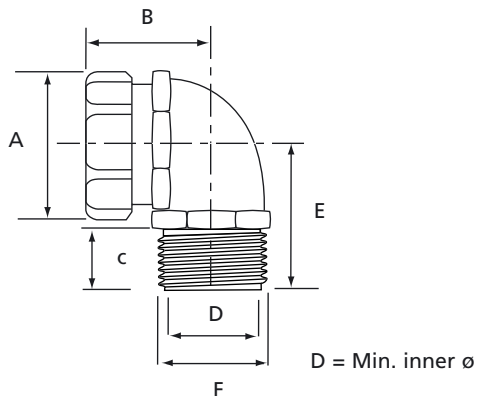
Liquidtight fittings for flexible
metallic conduits
90° fittings



E23018



002884



Ordering Information

PRODUCT REF.	FOR CONDUIT SIZE [inch]	THREAD SIZE	DIMENSIONS						WEIGHT [kg/100]	QUANTITY [pieces]
			A [mm]	B [mm]	C [mm]	D [mm]	E [mm]	F [mm]		
90° FITTING WITH METRIC (I.S.O.) THREAD										
9350	3/8	M16	28	35	16	10.1	34	16.0	12.6	25
9351	3/8	M20	28	35	16	10.1	34	20.0	12.6	25
9352-TB	1/2	M20	34	39	16	14.5	34	20.0	14.4	25
9353-TB	3/4	M25	42	43	16	20.0	38	25.0	20.2	10
9354-TB	1	M32	47	48	23	25.0	43	32.0	30.6	5
90° FITTING WITH PG THREAD										
7351	3/8	PG 11	29	37	14	11.0	33	18.6	12.6	25
7352	3/8	PG 13.5	29	37	14	11.0	33	20.4	12.6	25
7353	1/2	PG 16	35	40	14	14.5	37	22.5	14.4	25
7354	3/4	PG 21	42	44	14	20.0	39	28.3	20.2	5
7355	1	PG 29	47	56	21	25.0	48	37.0	30.6	5
7356	1 1/4	PG 36	58	70	21	33.5	56	47.0	54.0	5
7357	1 1/2	PG 42	69	75	21	38.5	61	54.0	72.0	2
7358	2	PG 48	83	87	24	49.5	66	59.3	103.5	1
90° FITTING WITH NPT THREAD (SUPPLIED WITH LOCKNUT)										
5351	3/8	1/2"	29	35	14	11.0	33	-	12.6	25
5352	1/2	1/2"	35	40	14	14.5	37	-	14.4	25
5353	3/4	3/4"	42	45	14	20.0	39	-	20.2	10
5354	1	1"	48	56	19	25.0	48	-	30.6	5
5355	1 1/4	1 1/4"	58	70	21	33.5	56	-	54.0	5
5356	1 1/2	1 1/2"	69	75	21	38.5	61	-	72.0	5
5357	2	2"	83	287	22	49.5	66	-	103.5	2
5358	2 1/2	2 1/2"	95	225	25	61.0	149	-	270.0	1
5359	3	3"	114	260	25	75.0	219	-	393.8	1
5360	4	4"	140	321	29	99.0	299	-	551.0	1
90° FITTING WITH IMPERIAL THREAD										
6355	1 1/4	1 1/2"	58	64	21	33.5	56	-	54.0	5
6356	1 1/2	2"	69	68	21	38.5	61	-	72.0	2

See pages 238 to 240 for product description and technical information

Shureseal™

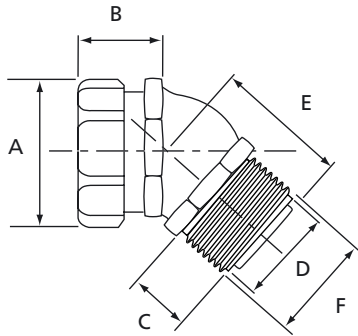
Liquidtight fittings for flexible
metallic conduits
45° fittings



E23018



002884



D = Min. inner ø



Ordering Information

PRODUCT REF.	FOR CONDUIT SIZE [inch]	THREAD SIZE	DIMENSIONS						WEIGHT [kg/100]	QUANTITY [pieces]
			A [mm]	B [mm]	C [mm]	D [mm]	E [mm]	F [mm]		
45° FITTING WITH METRIC (I.S.O.) THREAD										
9340	3/8	M16	28	35	16	10.1	34	16.0	12.6	25
9341	3/8	M20	28	35	16	10.1	34	20.0	12.6	25
9342	1/2	M20	34	39	16	14.5	34	20.0	14.4	25
9343-TB	3/4	M25	42	43	16	20.0	38	25.0	20.2	10
9344	1	M32	47	48	23	25.0	43	32.0	30.6	5
45° FITTING WITH PG THREAD										
7341	3/8	PG 11	29	37	14	11.0	33	18.6	12.6	25
7342	3/8	PG 13.5	29	37	14	11.0	33	20.4	12.6	25
7343	1/2	PG 16	35	40	14	14.5	37	22.5	14.4	25
7344-TB	3/4	PG 21	42	44	14	20.0	39	28.3	20.2	5
7345	1	PG 29	47	56	21	25.0	48	37.0	30.6	5
7346	1 1/4	PG 36	58	70	21	33.5	56	47.0	54.0	5
7347	1 1/2	PG 42	69	75	21	38.5	61	54.0	72.0	2
7348-TB	2	PG 48	83	87	24	49.5	66	59.3	103.5	1
45° FITTING WITH NPT THREAD (SUPPLIED WITH LOCKNUT)										
5341	3/8	1/2"	29	35	14	11.0	33	-	12.6	25
5342	1/2	1/2"	35	40	14	14.5	37	-	14.4	25
5343	3/4	3/4"	42	45	14	20.0	39	-	20.2	10
5344	1	1"	48	56	19	25.0	48	-	30.6	5
5345	1 1/4	1 1/4"	58	70	21	33.5	56	-	54.0	5
5346	1 1/2	1 1/2"	69	75	21	38.5	61	-	72.0	2
5347	2	2"	83	287	22	49.5	66	-	103.5	1
5348*	2 1/2	2 1/2"	95	225	25	61.0	149	-	270.0	1
5349*	3	3"	114	260	25	75.0	219	-	393.8	1
5350*	4	4"	140	321	29	99.0	299	-	551.0	1
45° FITTING WITH IMPERIAL THREAD										
6346	1 1/2	2"	69	68	21	38.5	61	-	72.0	2
6347	2	2 1/2"	83	78	22	49.5	66	-	103.5	1

* The Product Ref. with a * are not UL/CSA approved
See pages 238 to 240 for product description and technical information

Shureseal™

Liquidtight fittings for flexible metallic conduits

"Chase" fittings, straight or right-angled

- High-performance fittings for Shureseal™ liquidtight conduits
- Special compact version (CHASE) for space-saving assembly, thanks to the male nipple (supplied with the fitting) that can be screwed into the female thread of the body
- Safe and effective installation without any efforts
- The fitting is composed of 6 parts: the threaded body, the steel ground cone, the nylon sealing ring, the gland nut, the sealing washer and a male nipple, ensuring an easy assembly without the need for specific tools
- The steel ground cone which is screwed into the conduit ensures an excellent earthing continuity and pull-off strength, as well as a very good resistance against vibrations
- Re-useable and independent replacement parts



Technical Information

Conduit type	Shureseal™ flexible metallic conduit
Style/thread	Straight or right angled, NPT threads
System IP rating	IP67
Material	Zinc plated steel
Insulation throat and sealing ring	Polyamide
Colour	Metallic

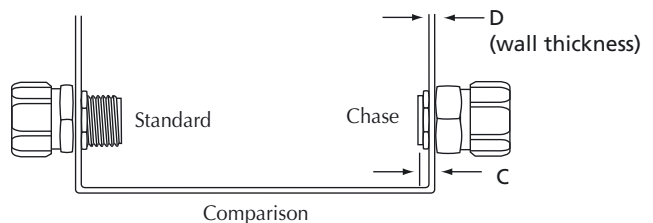
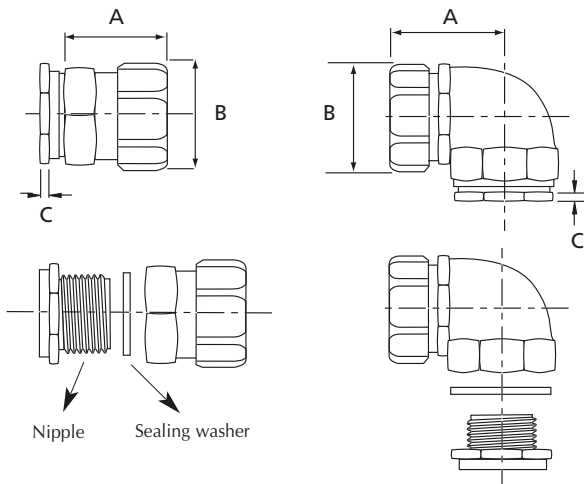
Approvals



002884



E23018



Ordering Information

PRODUCT REF.	FOR CONDUIT SIZE [inch]	DIMENSIONS			FOR WALL THICKNESS (D) UP TO [mm]	INSTALLATION HOLE DIAMETER [mm]	WEIGHT [kg/100]	QUANTITY [pieces]
		A [mm]	B [mm]	C [mm]				
STRAIGHT CHASE FITTING - (SUPPLIED WITH MALE NIPPLE AND SEALING WASHER)								
5361	3/8	35	30	3.2	5	22.2	8.1	25
5362	1/2	35	36	4.7	5	22.2	9.9	25
5363	3/4	41	44	6.3	8	27.8	15.4	25
5364	1	52	50	6.3	10	33.3	29.0	10
5365	1 1/4	60	69	7.9	12	44.5	58.0	5
5366	1 1/2	69	75	9.5	13	50.8	68.0	2
5367	2	76	88	9.5	15	63.5	99.7	1
5368	2 1/2	100	107	11.1	15	76.2	199.4	1
5369	3	105	125	17.2	17	92.1	253.7	1
5370	4	111	155	19.0	19	117.5	407.7	1
90° CHASE FITTING - (SUPPLIED WITH MALE NIPPLE AND SEALING WASHER)								
5371	3/8	38	30	3.2	5	22.2	8.1	25
5372	1/2	37	36	4.7	5	22.2	9.9	25
5373	3/4	48	44	6.3	8	27.8	18.1	10
5374	1	57	50	6.3	10	33.3	30.8	5

Shureseal™

Liquidtight fittings for flexible metallic conduits

Female hub and adaptor fittings

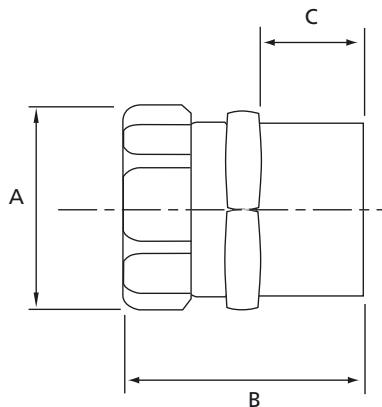
- High-performance special type fittings for Shureseal™ Liquidtight conduit
- **Special type hub fitting** with female (internal) thread for connecting flexible conduits to rigid conduits or for connecting 2 flexible conduits together (using male fittings)
- **Special type adaptor fitting** with female (internal) thread for connecting flexible conduits to AN-MS connector shells (such as MIL-C-5015 connectors and accessories)
- Safe and effective installation without any efforts
- The fitting is composed of 4 parts: the threaded body, the zinc plated steel ground cone, the nylon sealing ring and the gland nut ensuring an easy assembly without the need for specific tools
- The steel ground cone which is screwed into the conduit ensures an excellent earthing continuity and pull-off strength, as well as a very good resistance against vibrations
- Re-useable and independent replacement parts



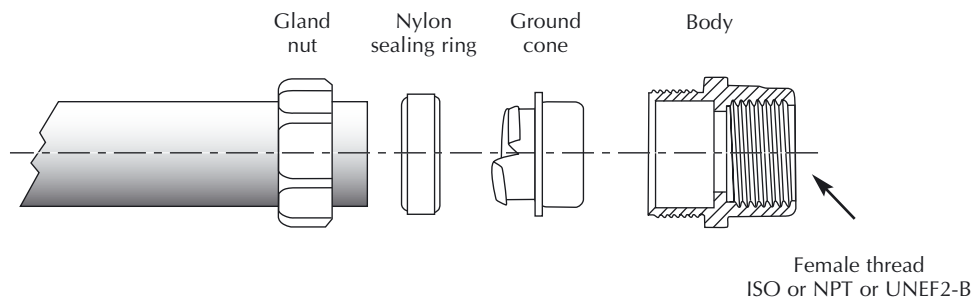
4.2

Technical Information

Conduit type	Shureseal™ flexible metallic conduits
Style	Straight
Thread	NPT, metric (I.S.O.) and UNEF female threads
System IP rating	IP67
Material	Zinc plated steel
Insulation throat and sealing ring	Polyamide
Colour	Metallic



Approvals



Liquidtight fittings for flexible
metallic conduits
Female hub and adaptor fittings

Ordering Information

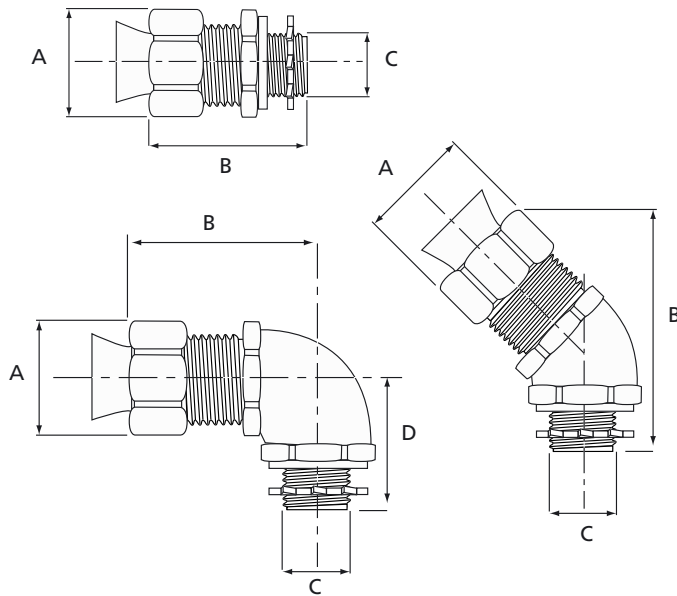
PRODUCT REF.	FOR CONDUIT SIZE [inch]	INNER THREAD	AN-MS CONNECTOR SHELL SIZE	DIMENSIONS			WEIGHT [kg/100]	PACKAGING SIZE [pieces]
				A [mm]	B [mm]	C [mm]		
STRAIGHT FEMALE HUB FITTING WITH METRIC (I.S.O.) THREAD								
9270	3/8	M16	–	28	40	15	7.0	25
9271	3/8	M20	–	30	40	15	7.2	25
9272	1/2	M20	–	34	43	15	10.0	25
9273	3/4	M25	–	42	45	15	14.5	25
9274	1	M32	–	47	54	15	19.0	5
STRAIGHT FEMALE HUB FITTING WITH NPT THREAD								
5271	3/8	1/2"	–	25	40	15	7.2	25
5272	1/2	1/2"	–	32	43	15	10.0	25
5273	3/4	3/4"	–	38	44	15	14.5	25
5274	1	1"	–	44	54	20	19.0	10
5275	1 1/4	1 1/4"	–	58	64	20	32.6	5
5276	1 1/2	1 1/2"	–	70	68	20	54.4	5
5277	2	2"	–	88	78	25	72.5	5
STRAIGHT ADAPTORS FITTING WITH UNEF THREAD								
LTA03810	3/8	5/8" - 24 UNEF-2B	10SL, 12, 12S	25.4	11.9	–	6.8	25
LTA03814	3/8	3/4" - 20 UNEF-2B	14, 14S	25.4	11.9	–	7.3	25
LTA05014	1/2	3/4" - 20 UNEF-2B	14, 14S	31.8	23.8	–	8.7	25
LTA05016	1/2	7/8" - 20 UNEF-2B	16, 16S	31.8	23.8	–	8.7	25
LTA05018	1/2	1" - 20 UNEF-2B	18	31.8	23.8	–	8.7	25
LTA07516	3/4	7/8" - 20 UNEF-2B	16, 16S	38.1	27.0	–	13.6	25
LTA07518	3/4	1" - 20 UNEF-2B	18	38.1	27.0	–	13.6	25
LTA07520	3/4	1 3/16" - 18 UNEF-2B	20, 22	38.1	27.0	–	13.6	25
LTA10020	1	1 3/16" - 18 UNEF-2B	20, 22	43.7	44.5	–	21.0	10
LTA10024	1	1 7/16" - 18 UNEF-2B	25, 28	43.7	44.5	–	21.0	10

Shureseal™

Liquidtight fittings for non-metallic conduits

Type LNMP - metallic fittings

- Easy installation
- Inner polyamide sleeve for protection of conductors
- Liquid- and dust-tight in accordance with IP66
- High mechanical stability (high retention)
- Supplied with locknut and sealing washer



4.2

Technical Information

Conduit type	Shureseal™ conduit type LNMP
Style/thread	Straight, 45°, 90°, NPT thread
System IP rating	IP66
Material	Galvanised steel, chromate finish
Connecting sleeve and internal insulation	Polyamide 6.6
Colour	Metallic

Approvals



E23018

Ordering Information

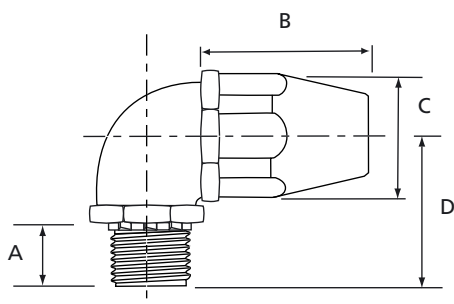
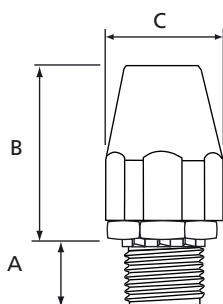
PRODUCT REF.	FOR CONDUIT SIZE [inch]	THREAD SIZE [inch]	DIMENSIONS				WEIGHT [kg/100]	QUANTITY [pieces]
			A [mm]	B [mm]	C [mm]	D [mm]		
STRAIGHT FITTING WITH NPT THREAD (SUPPLIED WITH LOCKNUT AND SEALING WASHER)								
3720-TB*	3/8	1/2	29.4	51.0	12.0	-	8.2	25
3721-TB	1/2	1/2	34.9	54.0	16.0	-	9.1	25
3722-TB	3/4	3/4	41.3	57.2	21.0	-	13.6	25
3723	1	1	47.6	63.5	26.0	-	23.6	10
3724-TB	1 1/4	1 1/4	60.3	76.2	35.0	-	40.0	5
3725	1 1/2	1 1/2	69.9	85.7	41.0	-	59.0	2
3726	2	2	89.7	92.1	50.0	-	118.0	1
45° FITTING WITH NPT THREAD (SUPPLIED WITH LOCKNUT AND SEALING WASHER)								
3730-TB*	3/8	1/2	29.4	51.6	12.0	-	5.4	25
3731-TB	1/2	1/2	34.9	65.1	16.0	-	8.2	25
3732	3/4	3/4	41.3	76.2	21.0	-	20.8	10
3733-TB	1	1	47.6	88.9	26.0	-	31.2	5
3734-TB	1 1/4	1 1/4	60.3	104.8	35.0	-	54.4	5
3735-TB	1 1/2	1 1/2	69.9	123.8	41.0	-	77.0	2
90° FITTING WITH NPT THREAD (SUPPLIED WITH LOCKNUT AND SEALING WASHER)								
3740*	3/8	1/2	29.4	41.3	12.0	33.3	5.0	25
3741	1/2	1/2	34.9	44.5	16.0	35.7	7.7	25
3742	3/4	3/4	41.3	57.2	21.0	39.7	22.6	10
3743-TB	1	1	47.6	65.1	26.0	47.6	30.7	5
3744-TB	1 1/4	1 1/4	60.3	82.6	35.0	57.2	54.4	5
3745	1 1/2	1 1/2	69.9	88.9	41.0	60.3	77.0	2
3746-TB	2	2	89.7	104.8	53.2	73.0	145.0	1

* The Product Ref. with a * are not UL approved

Liquidtight fittings for non-metallic conduits

Type LNMP - plastic fittings

- Easy installation
- High strength, chemical resistant, non-burning, non dripping thermoplastic construction
- Smooth insulated body throughout for maximum dielectric strength
- Ideal for corrosion resistant applications
- Liquid- and dust-tight in accordance with IP66
- Serrated design provides high mechanical pullout strength
- Supplied with steel locknut and sealing 'O' ring



Technical Information

Conduit type	Shureseal™ conduit type LNMP
Style/thread	Straight, 90°
System IP rating	IP66
Material	Body: thermoplastic Gland nut: thermoplastic 'O' Ring: Neoprene Locknut: Steel, case hardened and zinc plated

Approvals

MEETS
COAST
GUARD

CG293

E23018

Ordering Information

PRODUCT REF.	FOR CONDUIT SIZE [inch]	THREAD SIZE [inch]	DIMENSIONS				QUANTITY [pieces]
			A [mm]	B [mm]	C [mm]	D [mm]	
STRAIGHT PLASTIC FITTING WITH NPT THREAD (SUPPLIED WITH LOCKNUT AND SEALING 'O' RING)							
6302	1/2	1/2	37.6	57.9	14.5	–	20
6303	3/4	3/4	44.7	62.5	19.1	–	10
6304	1	1	53.3	67.6	24.4	–	5
6305	1 1/4	1 1/4	67.8	78.5	32.0	–	5
90° PLASTIC FITTING WITH NPT THREAD (SUPPLIED WITH LOCKNUT AND SEALING 'O' RING)							
6322	1/2	1/2	37.6	39.6	14.5	39.9	20
6323	3/4	3/4	44.7	44.2	19.1	43.4	10
6324	1	1	53.3	45.2	24.4	50.8	5
6325	1 1/4	1 1/4	67.8	54.1	32.0	61.2	5

Shureseal™

Liquidtight fittings for non-metallic conduits

Type EFC - plastic Bullet fittings

- Liquid-tight, dust-tight and oil-resistant
- Thomas & Betts patented quick connecting feature designed to prevent unlocking
- The spiral-shaped EFC conduit coil locks into fitting
- No loose pieces - secure against vibration
- Supplied with sealing washer (O ring)
- Fittings with NPT threads are supplied with locknut

Technical Information

Conduit type	Shureseal™ conduit type EFC
Style/thread	Straight, 45°, 90°, NPT and metric (I.S.O.) threads
IP rating	IP65
Material	UV-resistant thermoplastic
Locknut	Zinc plated steel
Sealing washer	Nitril
Colour	Black
Temperature range	-45°C to +105°C
Flammability rating	Self-extinguishing according to UL 94 V-2



Approvals



LR52391



E23018

Fig. 1

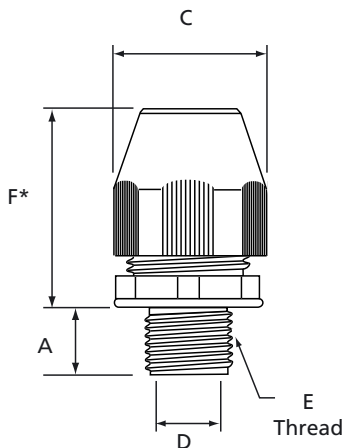


Fig. 2

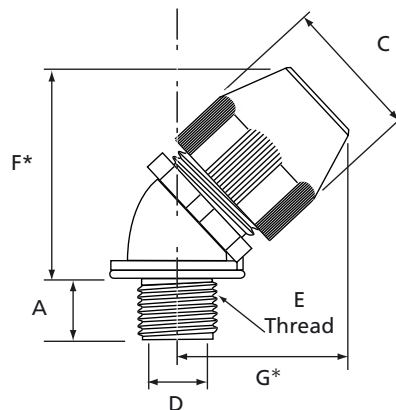
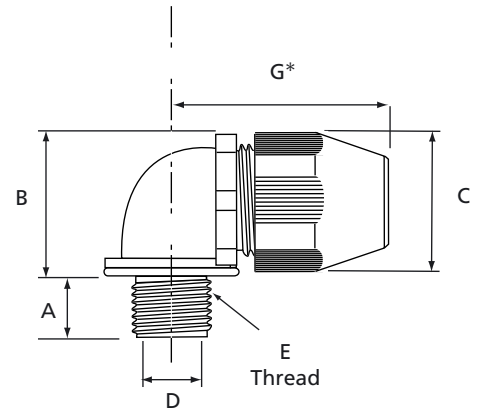


Fig. 3



* Variable dimensions

Liquidtight fittings for non-metallic
conduits

Type EFC - plastic Bullet fittings

Ordering Information

PRODUCT REF.	THREAD	THREAD SIZE	DIMENSIONS			D MIN. THROAT	F*	G*	WEIGHT	QUANTITY
	SIZE [inch]	E	A [mm]	B [mm]	C [mm]	DIAMETER [mm]	APPROX. [mm]	APPROX. [mm]		
STRAIGHT FITTING WITH METRIC (I.S.O.) THREAD - FIG.1										
LT38P-ISO20	3/8	M20	14.5	–	34.4	10.6	40.5	–	3.9	20
LT50P-ISO20	1/2	M20	14.5	–	36.8	14.0	41.6	–	4.1	20
LT75P-ISO25	3/4	M25	14.8	–	44.2	18.8	44.6	–	6.3	10
STRAIGHT FITTING WITH NPT THREAD (SUPPLIED WITH LOCKNUT) - FIG.1										
LT38P	3/8	1/2"	14.5	–	34.4	10.6	40.5	–	3.9	20
LT50P	1/2	1/2"	14.5	–	36.8	14.0	41.6	–	4.1	20
LT75P	3/4	3/4"	14.8	–	44.2	18.8	44.6	–	6.3	10
LT100P	1	1"	18.4	–	52.5	23.9	48.8	–	9.9	5
LT125P	1 1/4	1 1/4"	19.1	–	63.4	31.9	55.0	–	15.2	5
LT150P	1 1/2	1 1/2"	19.5	–	70.7	36.9	59.8	–	21.3	2
LT200P	2	2"	20.2	–	85.4	47.8	66.2	–	34.0	1
90° FITTING WITH METRIC (I.S.O.) THREAD - FIG.3										
LT938P-ISO20	3/8	M20	14.5	35.0	34.4	10.6	–	47.8	4.9	20
LT950P-ISO20	1/2	M20	14.5	37.8	36.8	14.0	–	50.4	4.9	20
LT975P-ISO25	3/4	M25	14.8	45.5	44.2	18.8	–	56.0	7.8	10
90° FITTING WITH NPT THREAD (SUPPLIED WITH LOCKNUT) - FIG.3										
LT938P	3/8	1/2"	14.5	35.0	34.4	10.6	–	47.8	4.9	10
LT950P	1/2	1/2"	14.5	37.8	36.8	14.0	–	50.4	4.9	10
LT975P	3/4	3/4"	14.8	45.5	44.2	18.8	–	56.2	7.8	10
LT9100P	1	1"	18.4	53.4	44.2	23.9	–	63.7	12.6	5
LT9125P	1 1/4	1 1/4"	19.1	65.1	52.5	31.9	–	72.5	21.3	2
LT9150P	1 1/2	1 1/2"	19.5	72.5	63.4	36.9	–	79.9	36.3	2
LT9200P	2	2"	20.2	87.2	70.7	47.8	–	93.3	40.8	1
45° FITTING WITH NPT THREAD (SUPPLIED WITH LOCKNUT) - FIG.2										
LT438P	3/8	1/2"	14.5	–	34.4	10.6	39.0	35.1	4.8	20
LT450P	1/2	1/2"	14.5	–	36.8	14.0	40.4	37.8	5.0	20
LT475P	3/4	3/4"	14.8	–	44.2	18.8	46.3	45.5	7.4	10
LT4100P	1	1"	18.4	–	52.5	23.9	51.7	53.4	11.7	5
LT4125P	1 1/4	1 1/4"	19.0	–	43.4	31.9	60.6	65.1	20.9	5
LT4150P	1 1/2	1 1/2"	19.5	–	70.7	36.9	66.1	72.5	24.7	2
LT4200P	2	2"	20.2	–	85.4	47.8	77.5	87.2	38.1	1

* Dimensions F and G are after assembly (approx.)

Liquidtight fittings for non-metallic conduits

Type EFC - metallic Bullet fittings

- Metallic fitting, designed for type EFC flexible plastic conduit
- Liquid-tight, dust-tight and oil-resistant
- Robust construction, ideal for demanding applications like in the railway industry (can be used with other kind of conduits and hoses commonly used in the railway industry, such as textile inserted rubber hoses,...)
- Liquid-tight, dust-tight and oil-resistant
- Thomas & Betts patented quick connecting feature designed to prevent unlocking
- Separate rotating attachment for easy fitting of conduit
- Spiral-shaped EFC conduit coil locks into fitting
- No loose pieces - secure against vibration
- Delivered with locknut

Technical Information

Conduit type	Shureseal™ conduit type EFC
Style/thread	Straight, 45°, 90°, NPT and Metric (I.S.O.) threads
IP rating	IP65
Material	Body: zinc plated steel Gland nut: zinc steel Insert: nylon

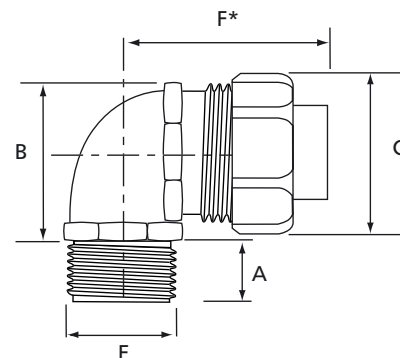
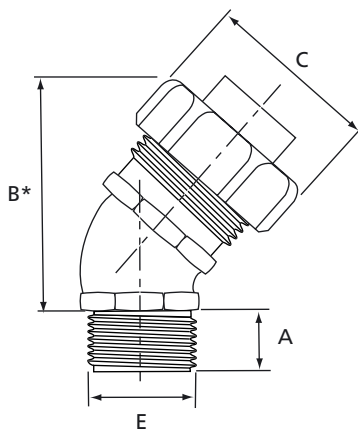
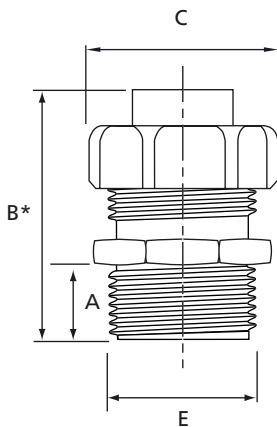
Approvals



LR52391



E23018



Liquidtight fittings for non-metallic
conduits

Type EFC - metallic Bullet fittings

Ordering Information

PRODUCT REF.	CONDUIT SIZE [inch]	THREAD SIZE E	DIMENSIONS				WEIGHT [kg/100]	QUANTITY [pieces]
			A [mm]	B [mm]	C [mm]	F [mm]		
STRAIGHT FITTING WITH METRIC (I.S.O) THREAD - FIG.1								
LT38M-ISO20	3/8	M20	14.3	38.1(*)	29.4	–	5.8	25
LT50M-ISO20	1/2	M20	14.3	39.7(*)	34.9	–	7.7	25
LT75M-ISO25	3/4	M25	15.9	41.2(*)	42.1	–	10.9	25
STRAIGHT FITTING WITH NPT THREAD - FIG.1								
LT38M	3/8	3/8"	14.3	38.1(*)	29.4	–	5.8	25
LT50M	1/2	1/2"	14.3	39.7(*)	34.9	–	7.7	25
LT75M	3/4	3/4"	15.9	41.2(*)	42.1	–	10.9	25
LT100M	1	1"	19.0	52.4(*)	47.6	–	16.1	10
LT125M	1 1/4	1 1/4"	20.6	63.5(*)	60.3	–	28.9	5
LT150M	1 1/2	1 1/2"	20.6	68.2(*)	69.8	–	46.7	2
LT200M	2	2"	20.6	77.8(*)	88.1	–	69.9	1
90° FITTING WITH METRIC (I.S.O) THREAD - FIG.3								
LT938M-ISO20	3/8	M20	15.9	33.3	29.4	34.9(*)	9.4	25
LT950M-ISO20	1/2	M20	15.9	36.5	34.9	39.7(*)	13.2	25
LT975M-ISO25	3/4	M25	15.9	44.4	42.1	44.4(*)	18.1	25
90° FITTING WITH NPT THREAD - FIG.3								
LT938M	3/8	3/8"	15.9	33.3	29.4	34.9(*)	9.4	25
LT950M	1/2	1/2"	15.9	36.5	34.9	39.7(*)	13.2	25
LT975M	3/4	3/4"	15.9	44.4	42.1	44.4(*)	18.1	25
LT9100M	1	1"	20.6	49.2	47.6	55.5(*)	30.2	10
LT9125M	1 1/4	1 1/4"	20.6	63.5	60.3	69.8(*)	55.7	5
LT9150M	1 1/2	1 1/2"	20.6	71.4	69.8	74.6(*)	76.4	2
LT9200M	2	2"	22.2	88.9	88.1	87.3(*)	116.6	1
45° FITTING WITH METRIC (I.S.O) THREAD - FIG.2								
LT438M-ISO20	3/8	M20	14.3	49.8(*)	29.4	–	7.7	25
LT450M-ISO20	1/2	M20	14.3	47.6(*)	34.9	–	14.2	25
45° FITTING WITH NPT THREAD - FIG.2								
LT438M	3/8	3/8"	14.3	49.8(*)	29.4	–	7.7	25
LT450M	1/2	1/2"	14.3	47.6(*)	34.9	–	14.2	25
LT475M	3/4	3/4"	14.3	54.0(*)	42.1	–	18.6	10
LT4100M	1	1"	20.6	57.1(*)	47.6	–	25.5	5
LT4125M	1 1/4	1 1/4"	20.6	69.8(*)	60.3	–	49.6	5
LT4150M	1 1/2	1 1/2"	20.6	69.8(*)	69.8	–	68.0	2
LT4200M	2	2"	22.2	98.4(*)	88.1	–	99.8	1

Note: dimensions shown with a (*) are after assembly (approx.)

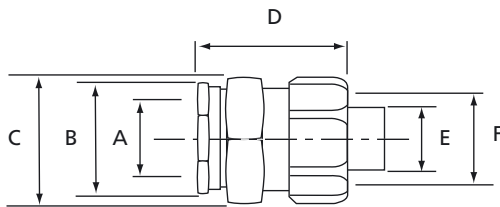
Liquidtight fittings for non-metallic conduits

Type EFC - metallic Bullet, Chase version

- Metallic fitting, designed for type EFC flexible plastic conduit Special version (Chase) for space saving assembly, thanks to the male nipple that can be screwed into the female thread of the body
- Liquid-tight, dust-tight and oil-resistant
- Robust construction, ideal for demanding applications like in the railway industry (can be used with other kind of conduits and hoses commonly used in the railway industry, such as textile inserted rubber hoses,...)
- Spiral-shaped EFC conduit coil locks into fitting
- The fitting is composed of 5 components: nipple with insulation throat, o-ring, body, insert and gland nut (Product Ref. LT6275MI also includes an additional sleeve)

Technical Information

Conduit type	Shureseal™ conduit type EFC
Style/thread	Straight
IP rating	IP65
Material	Body: zinc plated steel Gland nut: zinc plated steel Insert: nylon O-ring: neoprene



Ordering Information

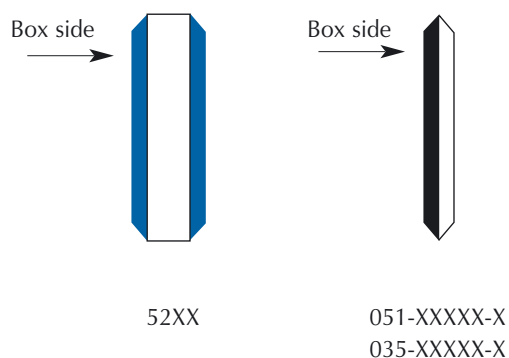
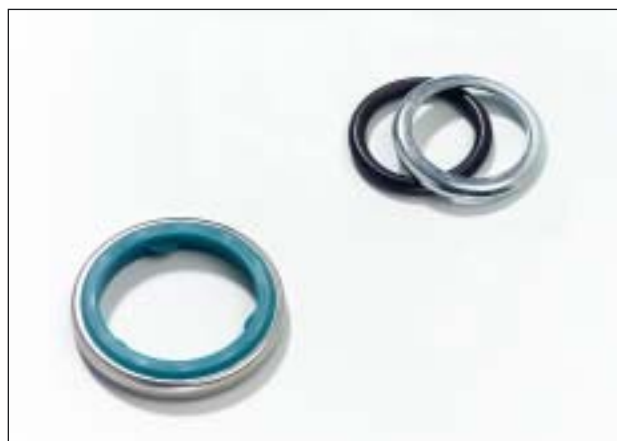
PRODUCT REF.	FOR CONDUIT SIZE [inch]	DIMENSIONS					
		ø A*	B	C	D	ø E*	ø F*
		[mm]	ACROSS FLATS [mm]	ACROSS FLATS [mm]	APPROX. [mm]	[mm]	[mm]
LT638MI	3/8	14.5	24	30	30	12.4	18.4
LT650MI	1/2	14.5	24	30	30	15.4	22.0
LT675MI	3/4	18.0	32	36	36	20.0	29.0
LT6100MI	1	23.5	40	41	41	26.0	35.0
LT6125MI	1 1/4	31.0	45	60	60	34.0	44.5
LT6150MI	1 1/2	38.0	54	65	65	39.0	50.0
LT6275MI	–	60.0	78	93	125	65.0	70.0

* ø A = inner diameter in fitting
ø E = min. inner diameter of conduit
ø F = max. outer diameter of conduit

Shureseal™

Accessories for fittings Sealing washers

- Design locks resilient sealing material in steel
- Steel retainer protects seal from extruding out under torque and limits compression to an optimum predetermined value; provides high quality seal
- Resilient material flows and seals rough surfaces



Technical Information

Fitting Type	Shureseal™ and Shureflex™ fittings
Style/thread	NPT, Metric (I.S.O.) and Imperial Threads
Material	Chromated galvanised steel, with blue Buna-N rubber or black synthetic rubber
Colour	Metallic

Approvals



002884



E13938

Ordering Information

PRODUCT REF.	THREAD SIZE	WEIGHT [kg/100]	QUANTITY [pieces]
SEALING WASHERS FOR METRIC (I.S.O.) FITTINGS			
051-72123-1*	M16	0.2	100
035-72272-1*	M20	0.2	100
035-72272-2*	M25	0.3	100
035-72272-3*	M32	0.3	100
SEALING WASHERS FOR NPT FITTINGS			
5261*	3/8"	0.2	50
5262	1/2"	0.2	50
5263	3/4"	0.3	25
5264	1"	0.3	25
5265	1 1/4"	1.8	5
5266	1 1/2"	1.9	5
5267	2"	2.0	5
5268	2 1/2"	2.2	5
5269	3"	2.9	5
5270	4"	3.8	5
SEALING WASHERS FOR IMPERIAL FITTINGS			
035 - 72272 - 4	1 1/2"	1.8	100
051 - 72123 - 6	2"	1.9	50

* The Product Ref. with a * are not UL approved

Shureseal™

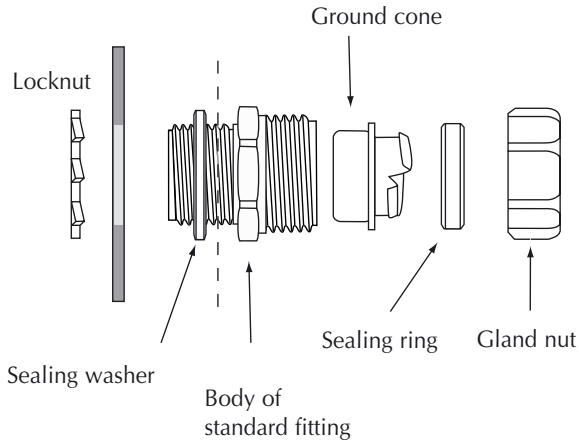
Accessories for fittings

Locknuts

Case-Hardened Locknut with Teeth provides superior strength and electrical bonding and can be installed without a wrench in the enclosure.



4.2



Technical Information

Fitting Type	Shureseal™ fittings
Thread	NPT
Material	Galvanised steel, chromated
Colour	Metallic

Approvals



004484



E23018

Ordering Information

PRODUCT REF.	NPT THREAD SIZE [inch]	WEIGHT [g/100]	QUANTITY [pieces]
NPT LOCKNUT			
139	1/4	0.4	100
140	3/8	0.5	100
141	1/2	0.5	100
142-TB	3/4	0.9	100
143	1	1.8	50
144	1 1/4	3.2	50
145	1 1/2	4.0	50
146-TB	2	6.3	25
147	2 1/2	11.7	15
148	3	18.0	5
149	3 1/2	19.8	5
150	4	23.4	5

Strain Relief Wire Mesh adaptor with integrated gland nut:

- Simple installation: just replace the existing gland nut in the fitting with the wire mesh adaptor
- Provides a support function (strain relief), to protect the conduit at the point of connection
- Rounded corners ensure secure attachment of the conduit without the risk of damage
- Anti-corrosive



Approvals



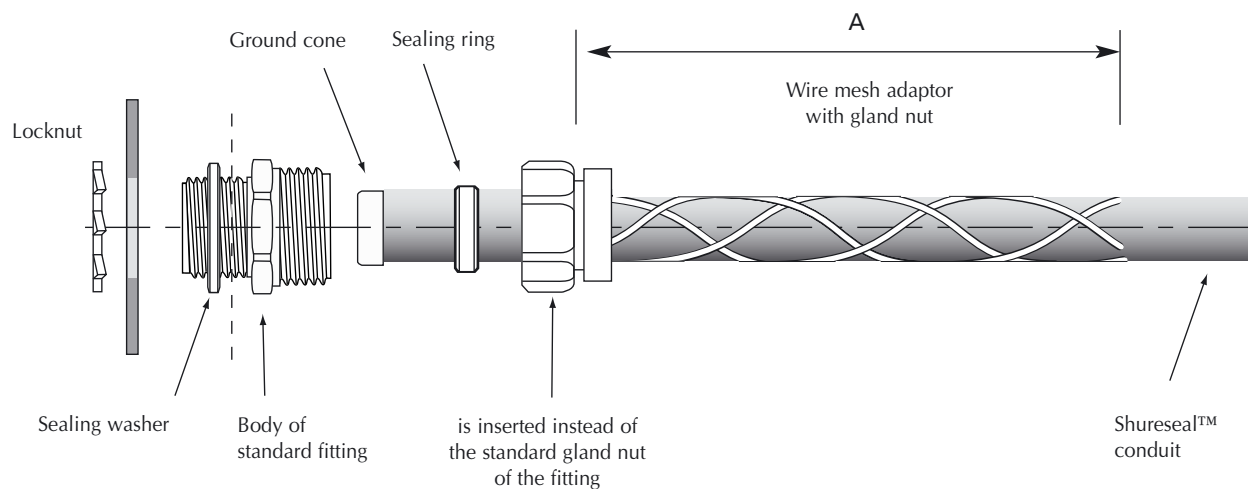
002884
4484



E13938
E23018

Technical Information

Fitting Type	Shureseal™ liquidtight fittings for metallic conduits (straight, 45°, 90°, chase, female hub)
Thread	Replaces the standard gland nut
Material	Gland nut: zinc plated steel Collar: aluminium Wire mesh: aluminium
Colour	Metallic



Ordering Information

PRODUCT REF.	CONDUIT SIZE [inch]	STRAIGHT FITTING [prod. ref.]	45° FITTING [prod. ref.]	90° FITTING [prod. ref.]	CHASE FITTING [prod. ref.]	CHASE 90 ° FITTING [prod. ref.]	ADAPTER [prod. ref.]	WEIGHT [kg/100]	QUANTITY [pieces]
FOR FITTINGS WITH ISO THREAD									
WMG-LT1	3/8	9360, 9361	9340, 9341	9350, 9351	–	–	9270, 9271	2.5	10
WMG-LT2	1/2	9362	9342	9352-TB	–	–	9272	4.0	10
WMG-LT3	3/4	9363	9343-TB	9353-TB	–	–	9273	5.0	10
WMG-LT4	1	9364	9344	9354-TB	–	–	9274	10.0	10
FOR FITTINGS WITH PG THREAD									
WMG-LT1	3/8	7361, 7362	7341, 7342	7351, 7352	–	–	–	2.5	10
WMG-LT2	1/2	7363	7343	7353	–	–	–	4.0	10
WMG-LT3	3/4	7364	7344-TB	7354	–	–	–	5.0	10
WMG-LT4	1	7365	7345	7355	–	–	–	10.0	10
WMG-LT5	1 1/4	7366	7346	7356	–	–	–	17.0	2
WMG-LT6	1 1/2	7367	7347	7357	–	–	–	29.0	2
WMG-LT7	2	7368	7348-TB	7358	–	–	–	43.0	5
FOR FITTINGS WITH NPT THREAD									
WMG-LT1	3/8	5331	5341	5351	5361	5371	5271	2.5	10
WMG-LT2	1/2	5332	5342	5352	5362	5372	5272	4.0	10
WMG-LT3	3/4	5333	5343	5353	5363	5373	5273	5.0	10
WMG-LT4	1	5334-TB	5344	5354	5364	5374	5274	10.0	10
WMG-LT5	1 1/4	5335	5345	5355	5365	–	5275	17.0	2
WMG-LT6	1 1/2	5336	5346	5356	5366	–	5276	29.0	2
WMG-LT7	2	5337	5347	5357	5367	–	5277	43.0	5
FOR FITTINGS WITH IMPERIAL THREAD									
WMG-LT5	1 1/4	6365	–	6355	–	–	–	17.0	2
WMG-LT6	1 1/2	6366	6346	6356	–	–	–	29.0	2
WMG-LT7	2	6367	6347	–	–	–	–	43.0	5

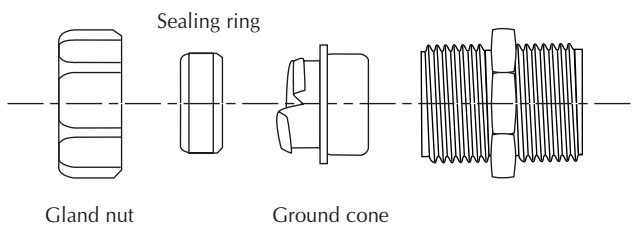
Replacements parts for liquidtight metallic fittings

If after some time the fitting is released and needs to be re-secured, the seal and the ground cone should be replaced.

The following accessories are appropriate for all the standard liquidtight Shureseal™ fittings for metallic conduits:

- **Steel ground cone:** it provides a high quality ground contact with low impedance and high conduit pull-off resistance. The single helical thread on ground cone is easy to install by hand without cross threading. It tolerates variations in conduit diameters and convolution pitch. Its rolled-over edge protects the conductors. Manufactured in zinc plated steel.
- **Sealing ring:** it grips and seals the conduit without damaging the conduit jacket. Its symmetrical shape assures a foolproof assembly. It ensures a positive seal against oils, liquids, moisture and dust. Made from high-performance nylon. Colour: blue.
- **Gland nut:** rugged construction, made of zinc plated steel. Reinforced corners to allow hand screwing.

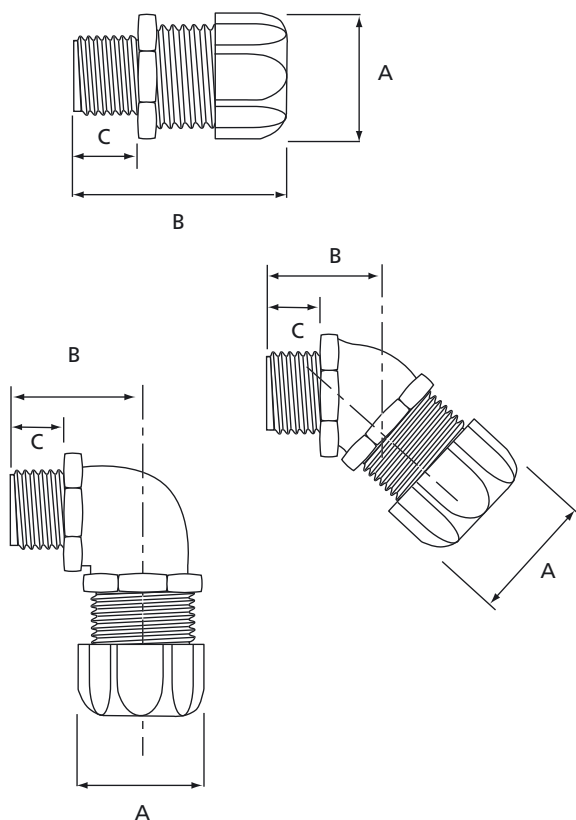
Fitting replacement parts



Ordering Information

PRODUCT REF.	CONDUIT SIZE [inch]
GROUND CONE	
R 719124	1/4
R 719123	5/16
R 719101	3/8
R 719125	1/2
R 719126	3/4
R 719127	1
IR 719128	1 1/4
IR 719129	1 1/2
SEALING RING	
7 R68301	5/16
IR 763101	3/8
IR 763102	1/2
IR 763108	3/4
IR 763104	1
IR 763105	1 1/4
IR 763106	1 1/2
GLANDNUT	
7 R68201	5/16
R 735540	3/8
R 735503	1/2
R 735504	3/4
R 735522	1
IR 735509	1 1/4
IR 723418	1 1/2

- High performance metal cable fittings
- Special construction prevents twisting and ensures effective strain relief
- Easy to install
- For cables with outer diameters from 3.2 mm to 47.6 mm



Technical Information

Style/thread	Straight, 45° and 90° NPT and metric (I.S.O.) threads
System IP rating	IP65
Body (material)	Zinc or galvanized steel
Gland nut (material)	Steel or galvanised steel
Seal (material)	Neoprene or rubber
Colour	Metallic
Temperature range	-35°C to +105°C

Approvals



052391
00589
004484



E-13938

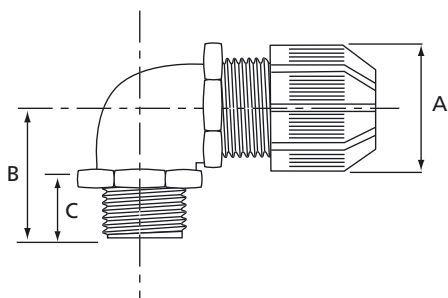
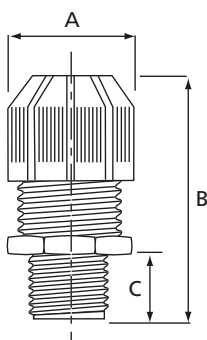
Ordering Information

PRODUCT REF.	MATERIAL BODY	MATERIAL SEAL	MATERIAL NUT	CABLE Ø RANGE FROM...TO [mm]	THREAD SIZE	DIMENSIONS			QUANTITY [pieces]
						A [mm]	B [mm]	C [mm]	
STRAIGHT METALLIC CABLE GLAND WITH METRIC (I.S.O.) THREAD									
9520	zinc plated steel	Neoprene	zinc plated steel	3.2 - 6.3	M20	28.6	42.0	14.3	25
9521-EU	zinc plated steel	Neoprene	zinc plated steel	6.3 - 9.5	M20	28.6	42.0	14.3	25
9522-EU	zinc plated steel	Neoprene	zinc plated steel	9.5 - 12.7	M20	28.6	42.0	14.3	25
9523	zinc plated steel	Neoprene	zinc plated steel	11.4 - 14.2	M20	28.6	42.0	14.3	25
9524-EU	zinc plated steel	Neoprene	zinc plated steel	12.7 - 15.8	M20	34.9	44.5	15.0	25
90° METALLIC CABLE GLAND WITH NPT THREAD									
4960	zinc plated steel	rubber	steel	3.2 - 9.5	1/2"	28.6	44.5	15.9	25
4961	zinc plated steel	rubber	steel	7.9 - 14.2	1/2"	28.6	44.5	15.9	25
4970	zinc plated steel	rubber	steel	3.2 - 9.5	3/4"	34.9	45.2	17.5	10
4971	zinc plated steel	rubber	steel	7.9 - 14.2	3/4"	34.9	45.2	17.5	10
4972	zinc plated steel	rubber	steel	12.7 - 19.0	3/4"	34.9	45.2	17.5	10

Ordering Information

PRODUCT REF.	MATERIAL	MATERIAL	MATERIAL	CABLE Ø RANGE	THREAD	DIMENSIONS			QUANTITY
	BODY	SEAL	NUT			FROM...TO	A	B	
				[mm]	SIZE	[mm]	[mm]	[mm]	[pieces]
					[inch]				
STRAIGHT METALLIC CABLE GLAND WITH NPT THREAD									
2920	zinc	rubber	zinc plated steel	3.2 - 9.5	1/2	28.6	44.5	15.9	25
2921	zinc	rubber	zinc plated steel	7.9 - 14.2	1/2	28.6	44.5	15.9	25
2922	zinc	rubber	zinc plated steel	12.7 - 19.1	1/2	34.9	44.5	15.9	10
2930	zinc	rubber	zinc plated steel	3.2 - 9.5	3/4	34.9	45.2	19.1	10
2931	zinc	rubber	zinc plated steel	7.9 - 14.2	3/4	34.9	45.2	19.1	10
2932	zinc	rubber	zinc plated steel	12.7 - 19.1	3/4	34.9	45.2	19.1	10
2940	zinc	rubber	zinc plated steel	7.9 - 14.2	1	34.9	44.5	20.6	10
2941	zinc	rubber	zinc plated steel	12.7 - 19.1	1	34.9	44.5	20.6	10
2942	zinc	rubber	zinc plated steel	17.8 - 24.1	1	41.3	47.6	20.6	10
2520	zinc	Neoprene	steel	3.2 - 6.4	1/2	29.4	42.9	15.9	25
2521	zinc	Neoprene	steel	6.4 - 9.5	1/2	29.4	42.9	15.9	25
2522	zinc	Neoprene	steel	9.5 - 12.7	1/2	29.4	42.9	15.9	25
2523	zinc	Neoprene	steel	11.4 - 14.2	1/2	29.4	42.9	15.9	25
2524	zinc	Neoprene	steel	12.7 - 15.9	1/2	34.9	44.5	15.9	25
2525	zinc	Neoprene	steel	15.9 - 19.1	1/2	34.9	44.5	15.9	25
2558	zinc	Neoprene	steel	22.4 - 27.1	1 1/4	53.2	54.8	20.6	5
2559	zinc	Neoprene	steel	27.1 - 30.6	1 1/4	53.2	54.8	20.6	5
2562	zinc	Neoprene	steel	20.6 - 25.4	1 1/2	58.7	63.5	17.5	5
2563	zinc	Neoprene	steel	25.4 - 30.1	1 1/2	58.7	63.5	17.5	5
2574	zinc	Neoprene	steel	34.9 - 41.3	2	69.9	66.7	20.6	1
2575	zinc	Neoprene	steel	41.3 - 47.6	2	69.9	66.7	20.6	1
45° METALLIC CABLE GLAND WITH NPT THREAD									
2200	zinc plated malleable iron	Neoprene	zinc plated steel	3.2 - 6.3	1/2	28.6	7.1	14.3	25
2201	zinc plated malleable iron	Neoprene	zinc plated steel	6.3 - 9.5	1/2	28.6	7.1	14.3	25
2202	zinc plated malleable iron	Neoprene	zinc plated steel	9.5 - 12.7	1/2	28.6	7.1	14.3	25
2203	zinc plated malleable iron	Neoprene	zinc plated steel	11.4 - 14.2	1/2	28.6	7.1	14.3	25
2204	zinc plated malleable iron	Neoprene	zinc plated steel	12.7 - 15.9	1/2	34.9	10.3	14.3	10
2205	zinc plated malleable iron	Neoprene	zinc plated steel	15.9 - 19.1	1/2	34.9	35.7	14.3	10
2206-TB	zinc plated malleable iron	Neoprene	zinc plated steel	3.2 - 6.3	3/4	34.9	35.7	15.9	10
2207-TB	zinc plated malleable iron	Neoprene	zinc plated steel	6.3 - 9.5	3/4	34.9	35.7	15.9	10
2208-TB	zinc plated malleable iron	Neoprene	zinc plated steel	9.5 - 12.7	3/4	34.9	35.7	15.9	10
2209	zinc plated malleable iron	Neoprene	zinc plated steel	12.7 - 15.9	3/4	34.9	35.7	15.9	10
2210	zinc plated malleable iron	Neoprene	zinc plated steel	15.9 - 19.1	3/4	34.9	35.7	15.9	10
2211	zinc plated malleable iron	Neoprene	zinc plated steel	19.1 - 22.2	3/4	42.9	38.1	38.1	10
2213	zinc plated malleable iron	Neoprene	zinc plated steel	9.5 - 12.7	1	34.9	38.1	19.8	5
2214	zinc plated malleable iron	Neoprene	zinc plated steel	12.7 - 15.9	1	34.9	38.1	19.8	5
2215	zinc plated malleable iron	Neoprene	zinc plated steel	15.9 - 19.1	1	34.9	38.1	19.8	5
2216	zinc plated malleable iron	Neoprene	zinc plated steel	19.1 - 22.2	1	42.9	37.3	19.8	5
2217	zinc plated malleable iron	Neoprene	zinc plated steel	22.2 - 25.0	1	42.9	37.3	19.8	5
2218	zinc plated malleable iron	Neoprene	zinc plated steel	22.3 - 27.0	1	52.4	50.0	19.8	5
2219	zinc plated malleable iron	Neoprene	zinc plated steel	27.0 - 30.1	1	52.4	50.0	19.8	5
2220-TB	zinc plated malleable iron	Neoprene	zinc plated steel	22.3 - 27.0	1 1/4	52.4	48.4	20.6	2
2221	zinc plated malleable iron	Neoprene	zinc plated steel	27.0 - 30.1	1 1/4	52.4	48.4	20.6	2
2222	zinc plated malleable iron	Neoprene	zinc plated steel	30.1 - 34.9	1 1/4	52.4	57.2	20.6	2
2223	zinc plated malleable iron	Neoprene	zinc plated steel	34.9 - 37.7	1 1/4	52.4	57.2	20.6	2

- High performance plastic cable fittings
- Special construction prevents twisting and ensures effective strain relief
- Easy to install
- For all cable sizes between 3.2 and 24.1 mm of outer diameter



Technical Information

Style/thread	Straight and 90° NPT threads
IP rating	IP65
Material	UV resistant polyamide 6.6.
Steel locknut	Chromate finished steel or zinc
Seal	Neoprene
Colour	Black
Flammability rating	UL 94 V-2
Temperature range	-34°C to +105°C

Approvals



052391



E-13938

Ordering Information

PRODUCT REF.	CABLE DIAMETER RANGE		THREAD SIZE [inch]	DIMENSIONS			QUANTITY [pieces]
	FROM...TO [mm]			A [mm]	B [mm]	C [mm]	
STRAIGHT PLASTIC CABLE GLAND WITH NPT THREAD							
2920NM	3.2 - 9.5		1/2	26.2	54.0	15.9	25
2921NM	7.9 - 14.2		1/2	26.2	54.0	15.9	25
2922NM	12.7 - 19.0		1/2	35.7	54.0	15.9	25
2930NM	3.2 - 9.5		3/4	35.7	55.6	15.9	10
2931NM	7.9 - 14.2		3/4	35.7	55.6	15.9	10
2932NM	12.7 - 14.2		3/4	35.7	55.6	15.9	10
2940NM	7.9 - 14.2		1	35.7	59.5	19.8	10
2941NM	12.7 - 19.0		1	35.7	59.5	19.8	10
2942NM	17.8 - 24.1		1	42.5	60.3	19.8	10
90° PLASTIC CABLE GLAND WITH NPT THREAD							
4960NM	3.2 - 9.5		1/2	30.9	31.8	15.9	25
4961NM	7.9 - 14.2		1/2	30.9	31.8	15.9	25
4970NM	3.2 - 9.5		3/4	35.7	34.9	15.9	10
4971NM	7.9 - 14.2		3/4	35.7	34.9	15.9	10
4972NM	12.7 - 19.0		3/4	35.7	34.9	15.9	10

Shureseal™

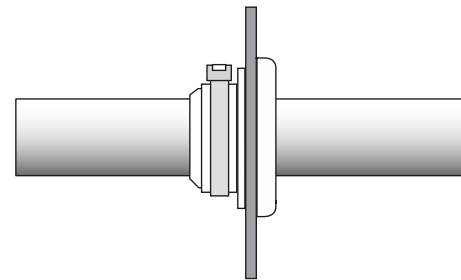
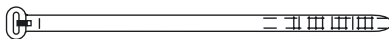
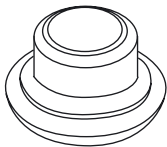
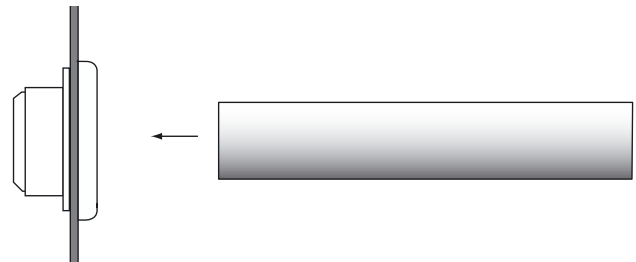
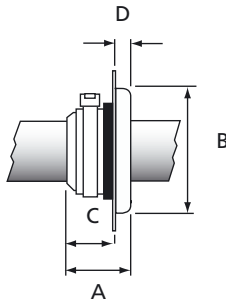
Cable grommets with strain relief

- Supplied with one Ty-Rap® cable tie to ensure a stable, tight and sealed strain relief
- Material with high elasticity
- Can also be used for single cables
- Chemically resistant
- Weather and UV resistant
- Simple and quick installation
- 5 sizes for cable diameters from 4 mm to 32 mm
- Maximal wall thickness 2.2 mm
- Typical applications: In control cabinets, in the building of motor vehicles, in the construction of machines,...



Technical Information

Material, gland	Neoprene
Material, cable tie	Polyamide 6.6
Colour	Black
Temperature range	-30°C to +90°C
Flammability	UL 514



Ordering Information

PRODUCT REF.	MATERIAL	DIMENSIONS				CABLE Ø RANGE FROM ... TO	FIXING HOLE DIAMETER	WALL THICKNESS UP TO	CABLE TIE REFERENCE	WEIGHT [g/100]	QUANTITY [pieces]
		A [mm]	B [mm]	C [mm]	D [mm]						
7401	Neoprene	18.6	24	13.6	5.0	4.0 - 9.0	16	2.2	TY 24 MX	420	10
7402	Neoprene	18.7	28	13.7	5.0	7.0 - 12.0	19	2.2	TY 25 MX	690	10
7403	Neoprene	22.0	34	17.0	5.0	12.0 - 18.0	25	2.2	TY 25 MX	1100	10
7404	Neoprene	24.0	43	19.0	5.0	18.0 - 25.0	32	2.2	TY 25 MX	1500	5
7405	Neoprene	24.5	51	18.5	6.0	25.0 - 32.0	38	2.2	TY 25 MX	1950	5

Conduits: directions for use

Below are a few short extracts taken from the relevant prescriptions.

VDE 0113/12.73

Metal tubing, pipes and conduits must be used in accordance with the prescribed safety standard.

Paragraph 10.3.1 states that all conduits must be designed to protect against the expected demands made on the product. This is to say, for example, that cable can only be fed through conduit if it is suitably protected from liquids, dust (IP-Protection) and other foreign substances.

Surfaces with which the laid conduits come into contact - such as edges, threads etc. should not damage the insulation of the conduit.

Fittings: directions for use

Conduits and fitting assemblies must be installed in accordance with VDE 0113.

It is not adequate just to feed the conduit into a housing. The conduit must be installed using a lock nut and fitting, which ensure a good electrical connection between the conduit and housing. The conduit must not reduce the protective capability of the housing. In order to ensure the effective installation of the conduit, it is important not only to use a suitable conduit but also to use the appropriate type of fitting. (see IEC-204)

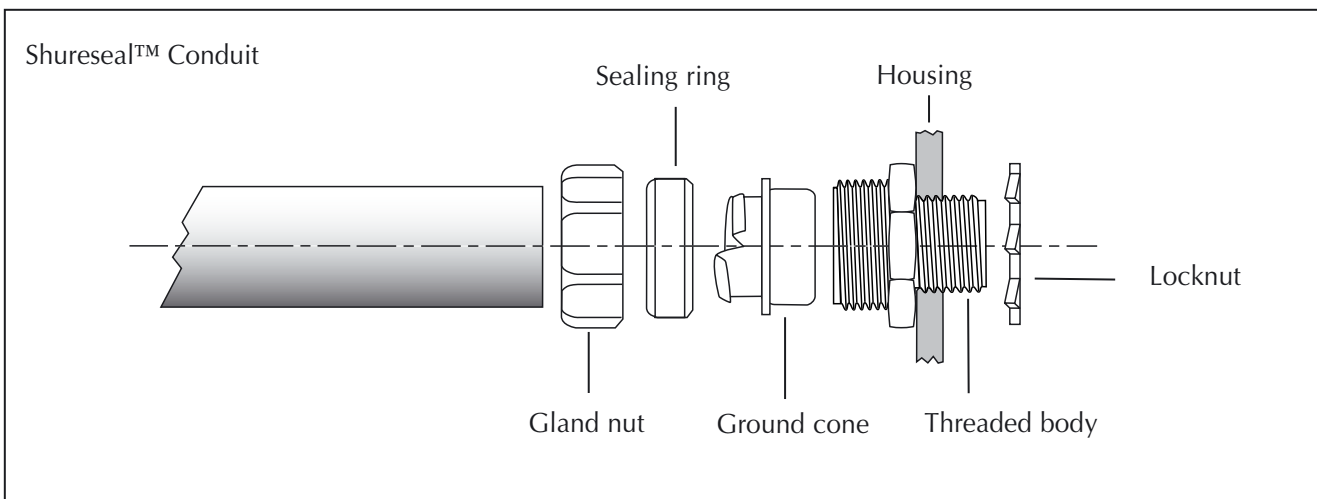
Specifications

Shureseal™ fittings and conduits satisfy the following specifications:

- for heavy industrial applications in accordance with DIN 49012.
- according to IP67 rating
- according to DIN/VDE 0650, section, 2.1.1b
- according to BS731, part 1
- and have the necessary approvals (UL/CSA and VDE)

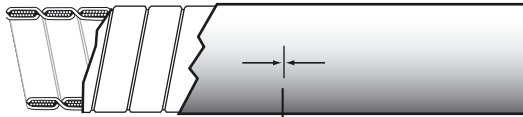
Installation

Installation is simple. The fitting screws easily onto the conduit, without the need for special tools. The fitting can be removed and re-used again at any time. The fitting also performs excellently against severe vibration. The conduit is not deformed by the fitting. In tests, the fittings have been shown to be extremely secure and guarantee a high level of security and reliability.



Flexible metallic liquidtight conduits**Type TBEF - universal**

- TBEF (now integrating the TBHT grade) conduit with heavy duty double interlocked / single interlocked (with packing) galvanised steel core
- Universal conduit for all liquidtight applications requiring good mechanical strength and flexibility: machinery, conveyors, etc.
- Cotton packing for high flexibility (up to 1 1/4")
- High performance acid and oil resistant, self-extinguishing PVC jacket
- High mechanical stability
- Tested and certified in accordance with DIN VDE 0605:1982-04 (File Nr: 24058-5410-0050 / 32CRB F41 / LR, Document Nr.: 131354)
- Marked lengths (every 1 m) for quick and easy measuring and cutting



Length marking



1/4" - 1 1/4"

1 1/2" - 4"

**Technical Information**

Outer jacket	PVC, self-extinguishing
Core	Galvanised steel
Packing	Cotton (up to 1 1/4")
Colour	Black or grey**
Temperature range	Static: -25°C to +105°C Flexing: -5°C to +105°C
Voltage breakdown (flash test)	> 2 kV
Insulation resistance	> 100 MOhm
System IP rating	IP67, when correctly installed with T&B liquidtight fittings

** (Grey available upon request. Suffix = G, e.g. TBEF0250-50-G)

Approvals**Ordering Information**

PRODUCT REF.	NOMINAL SIZE	METRIC SIZE	FOR PG CONNECTION	LENGTH	INTERNAL DIAMETER	EXTERNAL DIAMETER	MIN. BENDING RADIUS	MECHANICAL VALUES			WEIGHT [kg/100 m]	TYPE OF PACKAGING
								MIN. TENSILE STRENGTH [N]	MIN. COMPRESSION STRENGTH [N]			
TBEF0250-50*	1/4	10	7	50	6.2	11.4	45	500	1250	20.0	A	
TBEF0312-50*	5/16	12	9	50	10.0	14.4	50	500	1250	22.2	A	
TBEF0375-10	3/8	16	11 / 13.5	10	12.5	17.8	50	1000	1250	41.9	A	
TBEF0375-75	3/8	16	11 / 13.5	75	12.5	17.8	50	1000	1250	41.9	B	
TBEF0500-10	1/2	20	16	10	16.0	21.1	75	1000	1250	48.1	A	
TBEF0500-60	1/2	20	16	60	16.0	21.1	75	1000	1250	48.1	B	
TBEF0750-10	3/4	25	21	10	21.0	26.4	90	1000	1250	68.9	A	
TBEF0750-50	3/4	25	21	50	21.0	26.4	90	1000	1250	68.9	C	
TBEF1000-30	1	32	29	30	26.0	33.1	110	1000	1250	97.5	C	
TBEF1250-30	1 1/4	40	36	30	34.8	41.8	130	1000	1250	123.3	C	
TBEF1500-15*	1 1/2	50	42	15	40.4	47.7	190	2500	1250	144.8	C	
TBEF2000-15*	2	63	48	15	51.6	60.0	250	2500	1250	161.0	C	
TBEF2500-15*	2 1/2	75	-	15	63.3	72.6	480	2500	1250	298.0	C	
TBEF3000-7*	3	-	-	7	78.4	88.4	760	2500	1250	327.8	C	
TBEF4000-7*	4	-	-	7	102.1	113.8	860	2500	1250	394.4	C	

* Not VDE approved

Packaging sizes: A= box 370 x 370 x 180 mm

B= box 500 x 500 x 275 mm

C= reel 800 mm ø

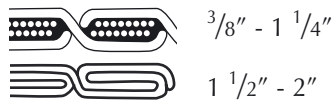
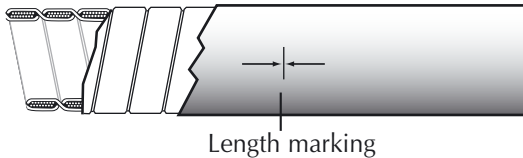
See page 224 for explanations on min. bending radius and temperature ranges

For T&B liquidtight fittings see pages 238 to 246

Shureseal™

Flexible metallic liquidtight conduits Type TBDL - dual listed UL & CSA

- Type TBDL with UL / CSA approval, heavy duty double interlocked / single interlocked galvanised steel core
- Export and North-America oriented applications: multi-national projects, power plant, ...
- Copper wire packing for improved grounding (up to 1 1/4")
- High performance, acid- and oil-resistant PVC jacket, self-extinguishing in accordance with UL360
- Extremely high mechanical stability
- Marked lengths (every 1 m) for simple measuring and cutting
- Silicone free



4.1

Technical Information

Outer jacket	PVC, self-extinguishing in 60 seconds
Core	Galvanised steel
Packing	Flat copper conductor (up to 1 1/4")
Colour	Black
Temperature range	Static: -25°C to +105°C (+120°C intermittent) Flexing: -5°C to +105°C UL rating: -10°C to +60°C CSA rating: -10°C to +75°C
System IP rating	IP67, when correctly installed with T&B liquidtight fittings

Approvals



LL091693



E125517

Ordering Information

PRODUCT REF.	NOMINAL SIZE	METRIC SIZE	FOR PG CONNECTION	LENGTH	INTERNAL DIAMETER	EXTERNAL DIAMETER	MIN. BENDING RADIUS	MECHANICAL VALUES		WEIGHT	TYPE OF PACKAGING
								MIN. TENSILE STRENGTH	MIN. COMPRESSION STRENGTH		
	[inch]	[mm]		[m]	[mm]	[mm]	[mm]	[N]	[N]	[kg/100 m]	
TBDL0375-75	3/8	16	11 / 13.5	75	12.5	17.8	50	1000	4000	39.4	B
TBDL0500-60	1/2	20	16	60	16.0	21.1	80	1000	4000	48.5	B
TBDL0750-50	3/4	25	21	50	21.0	26.4	105	1000	1250	66.3	C
TBDL1000-30	1	32	29	30	26.0	33.1	165	1000	4000	112.0	C
TBDL1250-30	1 1/4	40	36	30	34.8	41.8	200	1000	1250	160.0	C
TBDL1500-15	1 1/2	50	42	15	40.4	47.7	280	2500	4000	193.5	C
TBDL2000-15	2	63	48	15	51.6	60.0	355	2500	1250	253.0	C

Packaging sizes: B = box 500 x 500 x 275 mm

C = reel 800 mm ø

See page 224 for explanations on min. bending radius and temperature ranges

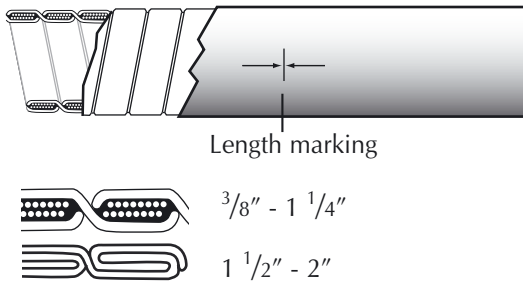
Other sizes available upon request - please contact your Sales Office

For T&B liquidtight fittings see pages 238 to 246

Flexible metallic liquidtight conduits

Type TBOR - oil resistant

- Type TBOR, with heavy duty double interlocked / single interlocked (with packing) galvanised steel core
- Applications in greasy environments: machine tools, assembly machines, hydraulic machinery
- Cotton packing for high flexibility (up to 1 1/4")
- High performance acid- and oil-resistant PVC outer jacket, self-extinguishing within 30 seconds
- High mechanical stability in accordance with DIN 49 012
- Marked lengths (every 1m) for quick and easy measuring and cutting

**Technical Information**

Outer jacket	PVC, self-extinguishing within 30 seconds
Core	Galvanised steel
Packing	Cotton (up to 1 1/4")
Colour	Black
Temperature range	Static: -25°C to +105°C Flexing: -5°C to +105°C
Voltage breakdown (flash test)	> 2 kV
Insulation resistance	> 100 MOhm
System IP rating	IP67, when correctly installed with T&B liquidtight fittings

Ordering Information

PRODUCT REF.	NOMINAL	METRIC	FOR PG	LENGTH	INTERNAL	EXTERNAL	MIN.	MECHANICAL VALUES		WEIGHT	TYPE			
	SIZE	SIZE	CONNECTION					DIAMETER	DIAMETER			BENDING	MIN. TENSILE	MIN. COMPRESSION
	[inch]	[mm]						[mm]	[mm]			RADIUS	STRENGTH	STRENGTH
				[m]	[mm]	[mm]	[mm]	[N]	[N]	[kg/100 m]	OF			
											PACKAGING			
TBOR0375-75	3/8	16	11 / 13.5	75	12.5	17.8	50	1000	1250	41.9	B			
TBOR0500-60	1/2	20	16	60	16.0	21.1	75	1000	1250	48.1	B			
TBOR0750-50	3/4	25	21	50	21.0	26.4	90	1000	1250	68.9	C			
TBOR1000-30	1	32	29	30	26.0	33.1	110	1000	1250	97.5	C			
TBOR1250-30	1 1/4	40	36	30	34.8	41.8	130	1000	1250	123.3	C			
TBOR1500-15	1 1/2	50	42	15	40.4	47.7	190	2500	1250	144.8	C			
TBOR2000-15	2	63	48	15	51.6	60.0	250	2500	1250	161.0	C			

Packaging sizes: B = box 500 x 500 x 275 mm

C = reel 800 mm ø

See page 224 for explanations on min. bending radius and temperature ranges

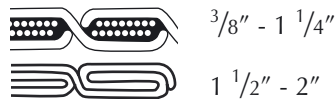
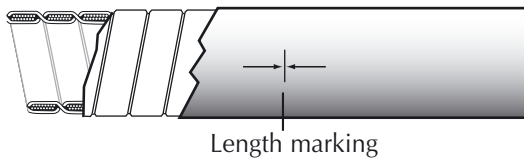
Other sizes available upon request - please contact your Sales Office

For T&B liquidtight fittings see pages 238 to 246

Shureseal™

Flexible metallic liquidtight conduits Type TBEHC - extreme heat/cold

- Applications at extreme temperatures: refrigeration, transportation, industrial HVAC, heavy industries
- Very high tolerance to extreme changes in temperature
- Heavy duty double interlocked / single interlocked (with packing) galvanised steel core
- Cotton packing for high flexibility (up to 1 1/4")
- High performance acid- and oil-resistant Polyester jacket, self-extinguishing according to UL 94 V-2
- High mechanical stability in accordance with DIN 49 012
- Marked lengths (every 1m) for quick and easy measuring and cutting



4.1

Technical Information

Outer jacket	Polyester, self-extinguishing within 30 seconds
Core	Galvanised steel
Packing	Cotton (up to 1 1/4")
Colour	Black
Temperature range	Static: -50°C to +130°C (+150°C intermittent) Flexing: -5°C to +130°C
Voltage breakdown (flash test)	> 2 kV
System IP rating	IP67, when correctly installed with T&B liquidtight fittings

Ordering Information

PRODUCT REF.	NOMINAL SIZE	METRIC SIZE	FOR PG CONNECTION	LENGTH	INTERNAL DIAMETER	EXTERNAL DIAMETER	MIN. BENDING RADIUS	MECHANICAL VALUES		WEIGHT	TYPE OF PACKAGING
								MIN. TENSILE STRENGTH	MIN. COMPRESSION STRENGTH		
								[N]	[N]		
TBEHC0375-30	3/8	16	11 / 13.5	30	12.5	17.8	50	1000	1250	40.7	B
TBEHC0500-30	1/2	20	16	30	16.0	21.1	75	1000	1250	45.0	B
TBEHC0750-30	3/4	25	21	30	21.0	26.4	90	1000	1250	64.5	C
TBEHC1000-30	1	32	29	30	26.0	33.1	110	1000	1250	90.7	C
TBEHC1250-30	1 1/4	40	36	30	34.8	41.8	130	1000	1250	112.6	C
TBEHC1500-15	1 1/2	50	42	15	40.4	47.7	190	2500	1250	134.5	C
TBEHC2000-15	2	63	48	15	51.6	60.0	250	2500	1250	148.7	C

Packaging sizes: B = box 500 x 500 x 275 mm
C = reel 800 mm ø

See page 224 for explanations on min. bending radius and temperature ranges

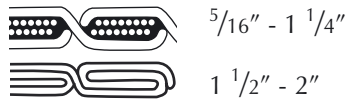
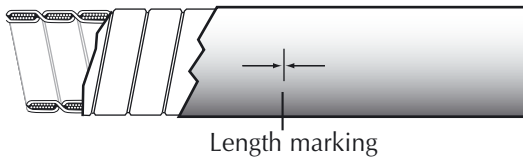
Other sizes available upon request - please contact your Sales Office

For T&B liquidtight fittings see pages 238 to 246

Special fittings (HT series) rated at 150°C are now available for high temperature applications - please contact your Sales Office for product availability

Flexible metallic liquidtight conduits Type TBZH - zero halogen

- Halogen free and low smoke outer jacket
- Ideal for applications where human lives can be a concern: public transportation, metro, train,...
- Heavy duty double interlocked / single interlocked (with packing) galvanised steel core
- Cotton packing for high flexibility (up to 1 1/4")
- High performance acid- and oil-resistant Olefin outer jacket, self-extinguishing within 30 seconds
- For use in safety areas (tunnels, public areas and transportation equipment)
- Marked lengths (every 1m) for quick and easy measuring and cutting
- NFF16-101 / NFF16-102 tested: I index = I3 (oxygen index = 40.7), F index = F1



Technical Information

Outer jacket	Olefin, self-extinguishing within 30 seconds
Core	Galvanised steel
Packing	Cotton (up to 1 1/4")
Colour	Black
Temperature range	Static: -25°C to +90°C Flexing: -5°C to +90°C
Voltage breakdown (flash test)	> 2 kV
Insulation resistance	> 100 MOhm
System IP rating	IP67, when correctly installed with T&B liquidtight fittings

Ordering Information

PRODUCT REF.	NOMINAL SIZE	METRIC SIZE	FOR PG CONNECTION	LENGTH	INTERNAL DIAMETER	EXTERNAL DIAMETER	MIN. BENDING RADIUS	MECHANICAL VALUES			WEIGHT [kg/100 m]	TYPE OF PACKAGING
								MIN. TENSILE STRENGTH	MIN. COMPRESSION STRENGTH			
									[N]	[N]		
TBZH0375-75	3/8	16	11 / 13.5	75	12.5	17.8	60	1000	1250	41.9	B	
TBZH0500-60	1/2	20	16	60	16.0	21.1	90	1000	1250	48.1	B	
TBZH0750-50	3/4	25	21	50	21.0	26.4	110	1000	1250	68.9	C	
TBZH1000-30	1	32	29	30	26.0	33.1	130	1000	1250	97.5	C	
TBZH1250-30	1 1/4	40	36	30	34.8	41.8	160	1000	1250	123.3	C	
TBZH1500-15	1 1/2	50	42	15	40.4	47.7	230	2500	1250	144.8	C	
TBZH2000-15	2	63	48	15	51.6	60.0	300	2500	1250	161.0	C	

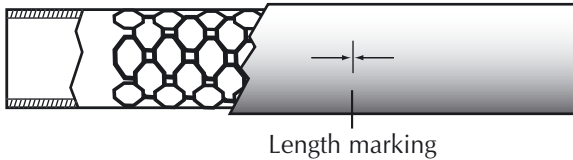
Packaging sizes: B = box 500 x 500 x 275 mm
C = reel 800 mm ø

For T&B liquidtight fittings see pages 238 to 246

Shureseal™

Flexible non-metallic liquidtight conduits Type LNMP - smooth outer surface

- UL and CSA approved
- Double layer construction offers a high level of mechanical stability for plastic tubing
- The Nylon lining between the 2 layers ensures a high level of flexibility
- High performance, durable acid- and oil resistant PVC outer jacket
- Perfectly designed for fittings which have to be safe, secure and electrically insulated
- Marked in lengths of 1 foot / 30.48 cm for quick and easy measuring and cutting
- High retention assured when used in association with T&B special fittings (Product Ref. 37XX and 63XX) (see pages 247 and 248)



4.1

Technical Information

Material	2 layers of PVC with a woven Nylon fabric in between
Colour	Orange
Temperature range	-20°C to +60°C
System IP rating	IP66, when correctly installed with T&B liquidtight fittings

Approvals



E 79308 (N)



LL018858

Ordering Information

PRODUCT REF.	NOMINAL SIZE [inch]	METRIC SIZE [mm]	FOR PG CONNECTION	LENGTH [m]	INTERNAL DIAMETER [mm]	EXTERNAL DIAMETER [mm]	MIN. BENDING RADIUS [mm]	WEIGHT [kg/100 m]	TYPE OF PACKAGING
LNMP038-75	3/8	16	11 / 13.5	75	12.32	19.63	63.5	23.3	D
LNMP050-60	1/2	20	16	60	15.75	23.62	76.2	33.3	D
LNMP075-50	3/4	25	21	50	20.70	29.72	101.6	46.7	D
LNMP100-30	1	32	29	30	26.16	36.58	152.4	63.3	D
LNMP125-30	1 1/4	40	36	30	34.80	46.36	177.8	93.3	D
LNMP150-15	1 1/2	50	42	15	40.26	52.83	203.2	120.0	E
LNMP200-15	2	63	48	15	52.71	65.79	228.6	180.0	E

Packaging sizes: D = Box 860 x 860 x 165 mm
E = Box 1060 x 1060 x 195 mm

For T&B liquidtight fittings for non-metallic conduits see pages 247 and 248

Shureseal™

Flexible non-metallic liquidtight conduits Type EFC - with strengthened inner coil

- Highly flexible, liquidtight plastic tubing with strengthened inner coil
- UV-resistant and weatherproof
- High chemical resistance
- UL recognised under File No. E 96548
- CSA approved File No. LL 067241
- Crush-resistant due to stiffening effects of strengthened inner coil
- The ultra-smooth inner surface ensures that cables and conductors can be fed through very easily
- Can be used with plastic or metallic T&B "Bullet" fittings (see pages 249 to 253)



Technical Information

Material	PVC
Colour	Black or orange* or blue*
Temperature range	-18°C to +75°C (CSA) -18°C to +60°C (UL)
System IP rating	IP65, when correctly installed with T&B liquidtight fittings

* Add suffix -1 for orange, -2 for blue to Product Ref. (e.g. EFC025-1 for orange conduit)



Approvals



LL067241



E96548

Ordering Information

PRODUCT REF.	NOMINAL SIZE [inch]	METRIC SIZE [mm]	LENGTH [m]	INTERNAL DIAMETER [mm]	EXTERNAL DIAMETER [mm]	MIN. BENDING RADIUS [mm]	WEIGHT [kg/100 m]	TYPE OF PACKAGING
EFC025	1/4	10	30.5	10.0	14.6	20	7.3	reel
EFC038	3/8	16	30.5	12.3	18.0	25	10.7	reel
EFC050	1/2	20	30.5	15.8	21.3	30	12.4	reel
EFC075	3/4	25	30.5	20.8	26.7	40	15.3	reel
EFC100	1	32	30.5	26.4	33.4	50	23.8	reel
EFC125	1 1/4	40	30.5	35.1	42.2	60	31.6	reel
EFC150	1 1/2	50	15.2	40.0	48.3	70	43.8	reel
EFC200	2	63	15.2	51.3	60.3	85	59.5	reel

For T&B "Bullet" fittings see pages 249 to 253

Flexible conduits

Material specifications

This chart gives an indication of the capabilities of the Shureseal™ liquidtight flexible metallic conduits. It is extremely difficult to provide data on all possible combinations or conditions that can occur.

Therefore it is recommended that this information should be used as a guideline and that the conduit should be tested in the intended application by the user, to determine suitability. If you have specific requirements, please contact Technical Support.

Material specifications table

CHEMICAL	TBEF	TBOR	TBHC	TBZH	TBDL	EFC	LNMP	PGS
OILS AND HYDROCARBONS								
ASTM Oil No 1	T	T	G	P	T	G	-	T
ASTM Oil No 2	T	T	G	P	L	-	-	L
ASTM Oil No 3	T	T	G	P	T	L	L	T
Diesel Oil	T	T	T	T	T	L	L	T
Lubricating Oil	L	L	G	L	L	G	G	L
Paraffin Oil	G	G	T	T	G	G	-	G
Petrol	G	G	L	T	G	-	-	G
Skydrol 500B	T	T	G	T	T	-	P	T
Transformer Oil	T	T	T	T	T	-	-	T
Vegetable Oils	T	T	T	T	T	-	G	T
ORGANIC SOLVENTS								
Acetone	P	P	L	P	P	P	P	P
Benzene	P	P	L	P	P	P	P	P
Ethyl Alcohol	P	P	L	L	P	G	L	P
Ethylene Glycol	L	L	G	T	L	G	G	L
Eteon 12	T	T	G	T	T	-	-	T
Methyl Alcohol	P	P	G	L	P	G	L	P
Methyl Ethyl Ketone	T	T	L	P	T	P	P	T
Toluene 100 %	P	P	L	L	P	P	P	P
Turpentine 100 %	L	L	T	L	L	L	L	L
White Spirit	T	T	T	L	T	-	-	T
ACIDS AND SALTS GIVING ACID SOLUTIONS								
Acetic Acid 10 %	G	G	G	T	G	G	G	G
Acetic Acid 20%	L	L	G	T	L	-	-	L
Hydrochloric Acid 10 %	-	-	-	-	-	-	G	-
Hydrochloric Acid 20 %	L	L	L	P	L	G	-	L
Hydrochloric Acid 40 %	-	-	-	-	-	-	L	-
Lactic Acid (90%)	T	T	T	T	T	P	-	T
Oxalic Acid	G	G	T	T	G	G	G	G
Zinc Chloride	G	G	G	T	G	G	G	G
BASES AND SALTS GIVING BASIC SOLUTIONS								
Aluminium Chloride (10%)	G	G	G	G	G	G	G	G
Sodium Hydroxide (20%)	T	T	G	G	T	G	G	T
Sodium Hydroxide (45%)	T	T	L	L	T	G	G	T
OTHERS								
Ozone Gas	G	G	T	T	G	-	-	G
Sea Water	G	G	G	G	G	G	G	G

- G = Good
- L = Limited
- P = Poor
- S = Swelling
- T = No data available
likely to have minor effect

Shureseal™

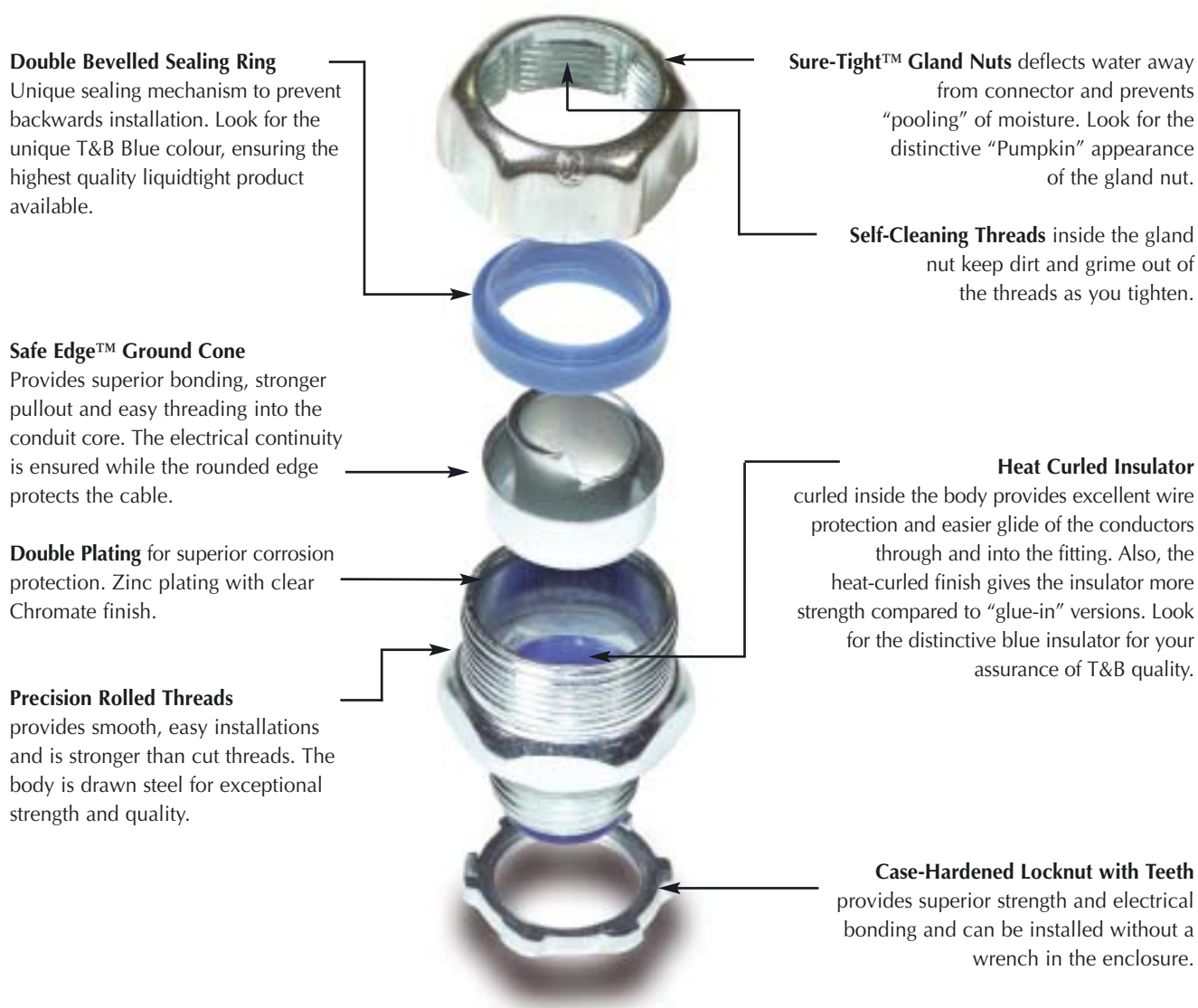
Liquidtight fittings for flexible metallic conduits

Product description

A standard fitting assembly is made of 4 pieces:

1. A screw body with a nylon throat on the connection side
2. The ground cone
3. The patented Nylon sealing ring
4. A gland nut

In addition, a locknut is supplied with the fittings with NPT thread.



Product description

When correctly installed, the Shureseal™ fittings produce a positive seal against oil, liquids, moisture and dust.

The main features of the assembly include:

- a high resistance to conduit pull-off and a great resistance to vibration from machines
- an excellent earth continuity
- simplicity of installation: ability to install quickly by hand (or with standard spanners or wrenches, but no special tools are needed)
- the fittings will not damage or distort the flexible conduit.
- the nylon throat bush makes it easier to pull wires through without risk of damage.
- the fittings have a rugged construction and can be disconnected and reused.
- available with N.P.T., Imperial, P.G. and metric (I.S.O.) threads
- excellent IP ratings

The patented ground cone design offers the following advantages:

- it compresses the metallic convolutions of the conduit, providing a high quality ground contact with low impedance and a high conduit pull-off resistance
- the single helical thread on the ground cone is easy to install without cross threading
- it tolerates variations in conduit diameters and convolution pitch
- its rolled-over edge protects the conductors

The patented sealing ring design has the following exclusive features:

- it grips and seals the conduit without damaging the conduit jacket
- its symmetrical shape assures a foolproof assembly
- it ensures a positive seal against oils, liquids, moisture and dust

The range of fittings includes 5 different styles:

- straight version
- 45° version
- 90° version
- "Chase" = compact version for confined spaces, behind panels and boxes
- "Female Hub" version, for connecting flexible conduit direct to rigid conduit and flexible conduits

Approvals

- C.E.G.B. approved (UK)
- UL listed Liquidtight File No E 23018
- ISO threads per BS 4568
- PG threads per DIN 40430
- Canadian Standard Association:
File No. 002884, File No. LR 052391, File No. LR 82069

Easy assembly without the requirement of any special tooling

1. Slide the gland nut and the sealing ring onto the conduit



2. Screw the ground cone into the conduit (between the convolutions) as far as possible



3. Screw the body and the gland nut together and tighten



The Thomas & Betts fittings are available in four different thread forms: NPT (National Pipe Taper), PG (Panzergewinde), Imperial and metric (I.S.O.).

NPT and PG threads have different contours (fig. 1 & 2). However a fitting with a male NPT thread (up to 2 inches) can easily be screwed into a part with a female PG thread (see table of compatibility for correspondences)

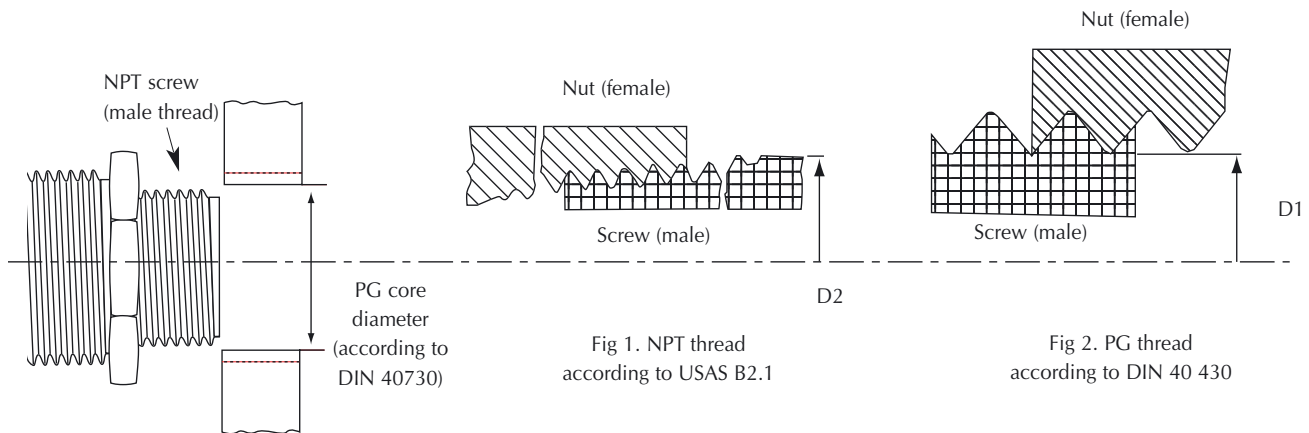


Fig 1. NPT thread according to USAS B2.1

Fig 2. PG thread according to DIN 40 430

Table of compatibility

NPT MALE THREAD SIZE [inch]	MAX. OUTER DIAMETER D2 (ON NPT MALE THREAD) [mm]		MIN. CORE DIAMETER D1 (ON PG FEMALE THREAD) [mm]	CORRESPONDING PG FEMALE THREAD SIZE
3/8	16.66	→	17.26	PG 11
3/8	16.66	→	19.06	PG 13.5
1/2	20.96	→	21.16	PG 16
3/4	26.44	→	26.78	PG 21
1	33.25	→	35.48	PG 29
1 1/4	41.91	→	45.48	PG 36
1 1/2	47.80	→	52.48	PG 42
2	59.61	→	57.78	PG 48

Liquidtight fittings for flexible metallic conduits

General information

Technical Information

Conduit type	Shureseal™ flexible metallic conduit
Style	Straight, 90° and 45°
Thread	NPT, Metric (I.S.O.), PG and Imperial
IP rating	IP67
Material	Galvanised steel chromate finish
Inner sleeve and sealing ring	Polyamide
Colour	Metallic

Special fittings (HT series) rated at 150°C are now available for high temperature applications - please contact your Sales Office for product availability



Approvals



002884



E23018

Shureseal™

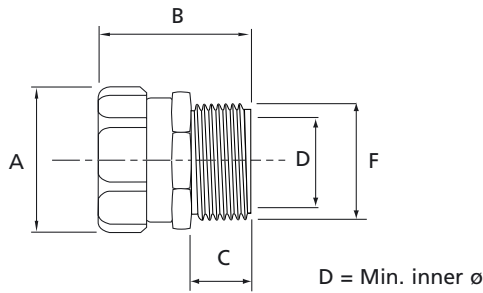
Liquidtight fittings for flexible
metallic conduits
Straight fittings



E23018



002884



4.2

Ordering Information

PRODUCT REF.	FOR CONDUIT SIZE [inch]	THREAD SIZE	DIMENSIONS					WEIGHT [kg/100]	QUANTITY [pieces]
			A [mm]	B [mm]	C [mm]	D [mm]	F [mm]		
STRAIGHT FITTING WITH METRIC (I.S.O.) THREAD									
9306*	5/16	M16	22	36	12	10.0	16.0	5.1	25
9307	5/16	M20	22	36	12	10.0	20.0	5.1	25
9330*	1/4	M16	22	36	12	6.0	16.0	3.5	25
9331*	1/4	M20	22	36	12	6.0	20.0	3.5	25
9360	3/8	M16	29	40	16	11.0	16.0	6.3	25
9361	3/8	M20	29	40	16	11.0	20.0	6.3	25
9362	1/2	M20	35	42	16	14.5	20.0	8.1	25
9363	3/4	M25	42	45	16	20.0	25.0	12.6	25
9364	1	M32	47	54	15	25.0	32.0	23.0	5
STRAIGHT FITTING WITH PG THREAD									
7329	1/4	PG 7	12	23	6	5.6	12.2	2.2	25
7330*	1/4	PG 9	21	36	12	6.0	15.2	3.5	25
7360*	5/16	PG 9	26	36	12	10.0	15.2	5.1	25
7361	3/8	PG 11	29	40	14	11.0	18.6	6.3	25
7362	3/8	PG 13.5	29	40	14	11.0	20.4	6.3	25
7363	1/2	PG 16	35	41	14	14.5	22.5	8.1	25
7364	3/4	PG 21	42	43	14	20.0	28.3	12.6	25
7365	1	PG 29	47	56	19	25.0	37.0	23.0	5
7366	1 1/4	PG 36	58	67	21	33.5	47.0	41.4	5
7367	1 1/2	PG 42	69	72	21	38.5	54.0	47.3	2
7368	2	PG 48	83	81	21	49.5	59.3	72.0	1
STRAIGHT FITTING WITH NPT THREAD (SUPPLIED WITH LOCKNUT)									
5229**	1/4	1/4"	21	35	12	6.0	–	3.5	25
5330**	5/16	3/8"	25	35	12	10.0	–	5.1	25
5331	3/8	1/2"	29	38	14	11.0	–	6.3	25
5332	1/2	1/2"	35	40	14	14.5	–	8.1	25
5333	3/4	3/4"	42	41	14	20.0	–	12.6	25
5334-TB	1	1"	48	52	19	25.0	–	23.0	10
5335	1 1/4	1 1/4"	58	64	21	33.5	–	41.4	5
5336	1 1/2	1 1/2"	69	68	21	38.5	–	47.3	2
5337	2	2"	83	78	22	49.5	–	72.0	5
5338	2 1/2	2 1/2"	95	105	25	61.0	–	135.5	5
5339	3	3"	114	108	25	75.0	–	168.8	5
5340	4	4"	140	114	29	99.0	–	275.4	1
STRAIGHT FITTING WITH IMPERIAL THREAD									
6365	1 1/4	1 1/2"	58	64	21	33.5	–	41.4	5
6366	1 1/2	2"	69	68	21	38.5	–	47.3	2
6367	2	2 1/2"	83	78	22	49.5	–	72.0	5

* The products with a * are not UL/CSA approved

** The products with a ** are not UL/CSA approved and are supplied without locknut

See pages 238 to 240 for product description and technical information

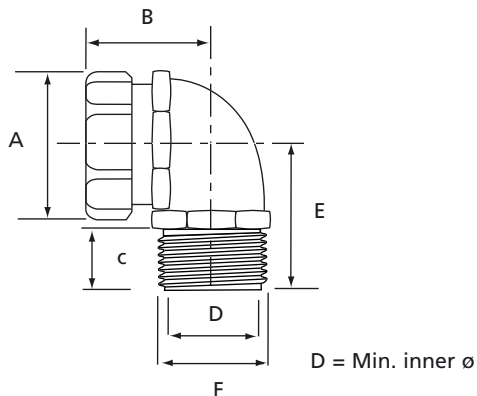
Liquidtight fittings for flexible
metallic conduits
90° fittings



E23018



002884



Ordering Information

PRODUCT REF.	FOR CONDUIT SIZE [inch]	THREAD SIZE	DIMENSIONS						WEIGHT [kg/100]	QUANTITY [pieces]
			A [mm]	B [mm]	C [mm]	D [mm]	E [mm]	F [mm]		
90° FITTING WITH METRIC (I.S.O.) THREAD										
9350	3/8	M16	28	35	16	10.1	34	16.0	12.6	25
9351	3/8	M20	28	35	16	10.1	34	20.0	12.6	25
9352-TB	1/2	M20	34	39	16	14.5	34	20.0	14.4	25
9353-TB	3/4	M25	42	43	16	20.0	38	25.0	20.2	10
9354-TB	1	M32	47	48	23	25.0	43	32.0	30.6	5
90° FITTING WITH PG THREAD										
7351	3/8	PG 11	29	37	14	11.0	33	18.6	12.6	25
7352	3/8	PG 13.5	29	37	14	11.0	33	20.4	12.6	25
7353	1/2	PG 16	35	40	14	14.5	37	22.5	14.4	25
7354	3/4	PG 21	42	44	14	20.0	39	28.3	20.2	5
7355	1	PG 29	47	56	21	25.0	48	37.0	30.6	5
7356	1 1/4	PG 36	58	70	21	33.5	56	47.0	54.0	5
7357	1 1/2	PG 42	69	75	21	38.5	61	54.0	72.0	2
7358	2	PG 48	83	87	24	49.5	66	59.3	103.5	1
90° FITTING WITH NPT THREAD (SUPPLIED WITH LOCKNUT)										
5351	3/8	1/2"	29	35	14	11.0	33	-	12.6	25
5352	1/2	1/2"	35	40	14	14.5	37	-	14.4	25
5353	3/4	3/4"	42	45	14	20.0	39	-	20.2	10
5354	1	1"	48	56	19	25.0	48	-	30.6	5
5355	1 1/4	1 1/4"	58	70	21	33.5	56	-	54.0	5
5356	1 1/2	1 1/2"	69	75	21	38.5	61	-	72.0	5
5357	2	2"	83	287	22	49.5	66	-	103.5	2
5358	2 1/2	2 1/2"	95	225	25	61.0	149	-	270.0	1
5359	3	3"	114	260	25	75.0	219	-	393.8	1
5360	4	4"	140	321	29	99.0	299	-	551.0	1
90° FITTING WITH IMPERIAL THREAD										
6355	1 1/4	1 1/2"	58	64	21	33.5	56	-	54.0	5
6356	1 1/2	2"	69	68	21	38.5	61	-	72.0	2

See pages 238 to 240 for product description and technical information

Shureseal™

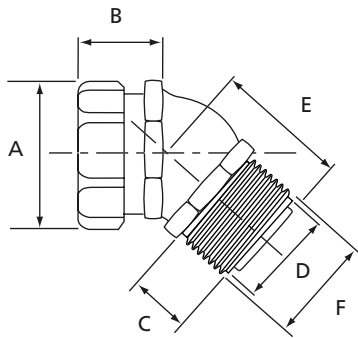
Liquidtight fittings for flexible
metallic conduits
45° fittings



E23018



002884



D = Min. inner ø



Ordering Information

PRODUCT REF.	FOR CONDUIT SIZE [inch]	THREAD SIZE	DIMENSIONS						WEIGHT [kg/100]	QUANTITY [pieces]
			A [mm]	B [mm]	C [mm]	D [mm]	E [mm]	F [mm]		
45° FITTING WITH METRIC (I.S.O.) THREAD										
9340	3/8	M16	28	35	16	10.1	34	16.0	12.6	25
9341	3/8	M20	28	35	16	10.1	34	20.0	12.6	25
9342	1/2	M20	34	39	16	14.5	34	20.0	14.4	25
9343-TB	3/4	M25	42	43	16	20.0	38	25.0	20.2	10
9344	1	M32	47	48	23	25.0	43	32.0	30.6	5
45° FITTING WITH PG THREAD										
7341	3/8	PG 11	29	37	14	11.0	33	18.6	12.6	25
7342	3/8	PG 13.5	29	37	14	11.0	33	20.4	12.6	25
7343	1/2	PG 16	35	40	14	14.5	37	22.5	14.4	25
7344-TB	3/4	PG 21	42	44	14	20.0	39	28.3	20.2	5
7345	1	PG 29	47	56	21	25.0	48	37.0	30.6	5
7346	1 1/4	PG 36	58	70	21	33.5	56	47.0	54.0	5
7347	1 1/2	PG 42	69	75	21	38.5	61	54.0	72.0	2
7348-TB	2	PG 48	83	87	24	49.5	66	59.3	103.5	1
45° FITTING WITH NPT THREAD (SUPPLIED WITH LOCKNUT)										
5341	3/8	1/2"	29	35	14	11.0	33	-	12.6	25
5342	1/2	1/2"	35	40	14	14.5	37	-	14.4	25
5343	3/4	3/4"	42	45	14	20.0	39	-	20.2	10
5344	1	1"	48	56	19	25.0	48	-	30.6	5
5345	1 1/4	1 1/4"	58	70	21	33.5	56	-	54.0	5
5346	1 1/2	1 1/2"	69	75	21	38.5	61	-	72.0	2
5347	2	2"	83	287	22	49.5	66	-	103.5	1
5348*	2 1/2	2 1/2"	95	225	25	61.0	149	-	270.0	1
5349*	3	3"	114	260	25	75.0	219	-	393.8	1
5350*	4	4"	140	321	29	99.0	299	-	551.0	1
45° FITTING WITH IMPERIAL THREAD										
6346	1 1/2	2"	69	68	21	38.5	61	-	72.0	2
6347	2	2 1/2"	83	78	22	49.5	66	-	103.5	1

* The Product Ref. with a * are not UL/CSA approved
See pages 238 to 240 for product description and technical information

Shureseal™

Liquidtight fittings for flexible metallic conduits

"Chase" fittings, straight or right-angled

- High-performance fittings for Shureseal™ liquidtight conduits
- Special compact version (CHASE) for space-saving assembly, thanks to the male nipple (supplied with the fitting) that can be screwed into the female thread of the body
- Safe and effective installation without any efforts
- The fitting is composed of 6 parts: the threaded body, the steel ground cone, the nylon sealing ring, the gland nut, the sealing washer and a male nipple, ensuring an easy assembly without the need for specific tools
- The steel ground cone which is screwed into the conduit ensures an excellent earthing continuity and pull-off strength, as well as a very good resistance against vibrations
- Re-useable and independent replacement parts



Technical Information

Conduit type	Shureseal™ flexible metallic conduit
Style/thread	Straight or right angled, NPT threads
System IP rating	IP67
Material	Zinc plated steel
Insulation throat and sealing ring	Polyamide
Colour	Metallic

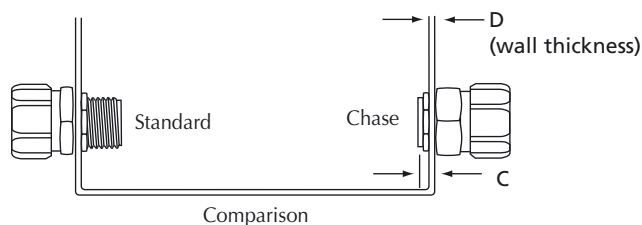
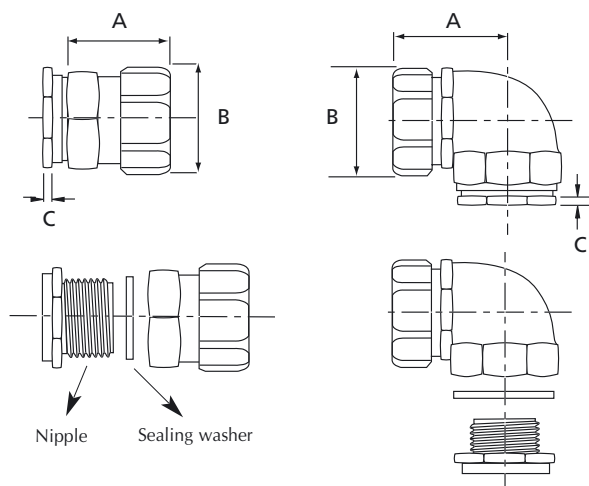
Approvals



002884



E23018



Ordering Information

PRODUCT REF.	FOR CONDUIT SIZE [inch]	DIMENSIONS			FOR WALL THICKNESS (D) UP TO [mm]	INSTALLATION HOLE DIAMETER [mm]	WEIGHT [kg/100]	QUANTITY [pieces]
		A [mm]	B [mm]	C [mm]				
STRAIGHT CHASE FITTING - (SUPPLIED WITH MALE NIPPLE AND SEALING WASHER)								
5361	3/8	35	30	3.2	5	22.2	8.1	25
5362	1/2	35	36	4.7	5	22.2	9.9	25
5363	3/4	41	44	6.3	8	27.8	15.4	25
5364	1	52	50	6.3	10	33.3	29.0	10
5365	1 1/4	60	69	7.9	12	44.5	58.0	5
5366	1 1/2	69	75	9.5	13	50.8	68.0	2
5367	2	76	88	9.5	15	63.5	99.7	1
5368	2 1/2	100	107	11.1	15	76.2	199.4	1
5369	3	105	125	17.2	17	92.1	253.7	1
5370	4	111	155	19.0	19	117.5	407.7	1
90° CHASE FITTING - (SUPPLIED WITH MALE NIPPLE AND SEALING WASHER)								
5371	3/8	38	30	3.2	5	22.2	8.1	25
5372	1/2	37	36	4.7	5	22.2	9.9	25
5373	3/4	48	44	6.3	8	27.8	18.1	10
5374	1	57	50	6.3	10	33.3	30.8	5

Shureseal™

Liquidtight fittings for flexible metallic conduits

Female hub and adaptor fittings

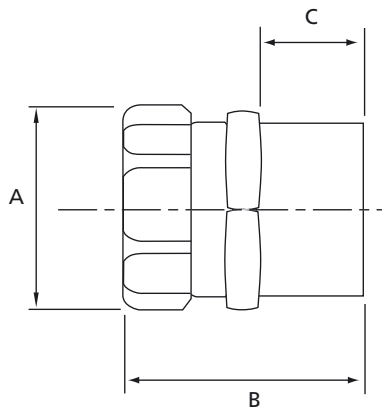
- High-performance special type fittings for Shureseal™ Liquidtight conduit
- **Special type hub fitting** with female (internal) thread for connecting flexible conduits to rigid conduits or for connecting 2 flexible conduits together (using male fittings)
- **Special type adaptor fitting** with female (internal) thread for connecting flexible conduits to AN-MS connector shells (such as MIL-C-5015 connectors and accessories)
- Safe and effective installation without any efforts
- The fitting is composed of 4 parts: the threaded body, the zinc plated steel ground cone, the nylon sealing ring and the gland nut ensuring an easy assembly without the need for specific tools
- The steel ground cone which is screwed into the conduit ensures an excellent earthing continuity and pull-off strength, as well as a very good resistance against vibrations
- Re-useable and independent replacement parts



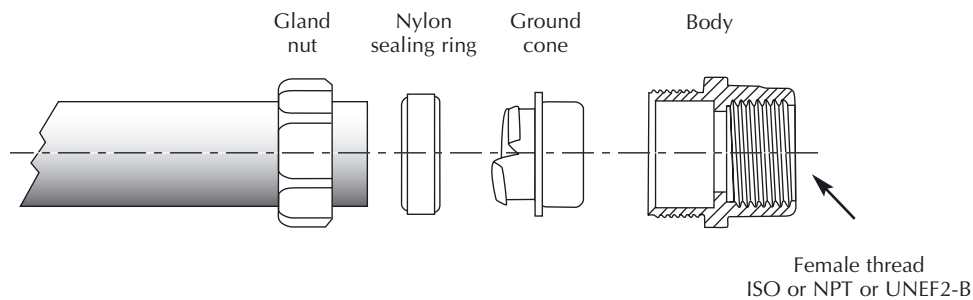
4.2

Technical Information

Conduit type	Shureseal™ flexible metallic conduits
Style	Straight
Thread	NPT, metric (I.S.O.) and UNEF female threads
System IP rating	IP67
Material	Zinc plated steel
Insulation throat and sealing ring	Polyamide
Colour	Metallic



Approvals



Liquidtight fittings for flexible
metallic conduits
Female hub and adaptor fittings

Ordering Information

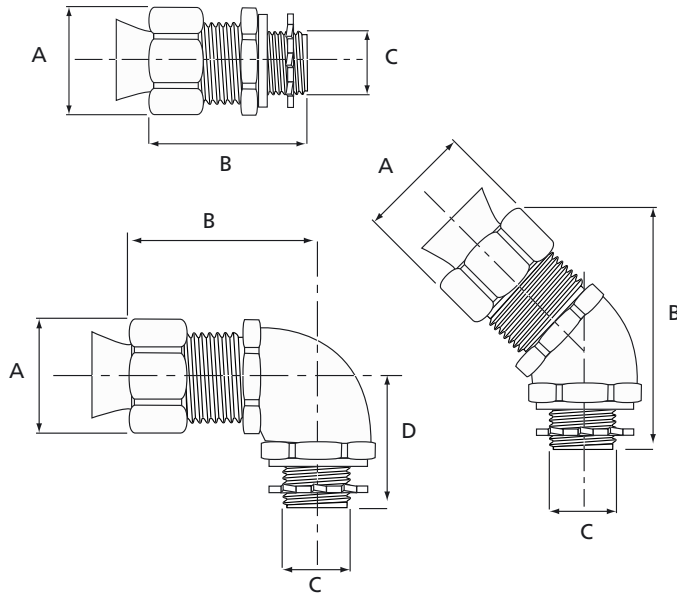
PRODUCT REF.	FOR CONDUIT SIZE [inch]	INNER THREAD	AN-MS CONNECTOR SHELL SIZE	DIMENSIONS			WEIGHT [kg/100]	PACKAGING SIZE [pieces]
				A [mm]	B [mm]	C [mm]		
STRAIGHT FEMALE HUB FITTING WITH METRIC (I.S.O.) THREAD								
9270	3/8	M16	–	28	40	15	7.0	25
9271	3/8	M20	–	30	40	15	7.2	25
9272	1/2	M20	–	34	43	15	10.0	25
9273	3/4	M25	–	42	45	15	14.5	25
9274	1	M32	–	47	54	15	19.0	5
STRAIGHT FEMALE HUB FITTING WITH NPT THREAD								
5271	3/8	1/2"	–	25	40	15	7.2	25
5272	1/2	1/2"	–	32	43	15	10.0	25
5273	3/4	3/4"	–	38	44	15	14.5	25
5274	1	1"	–	44	54	20	19.0	10
5275	1 1/4	1 1/4"	–	58	64	20	32.6	5
5276	1 1/2	1 1/2"	–	70	68	20	54.4	5
5277	2	2"	–	88	78	25	72.5	5
STRAIGHT ADAPTORS FITTING WITH UNEF THREAD								
LTA03810	3/8	5/8" - 24 UNEF-2B	10SL, 12, 12S	25.4	11.9	–	6.8	25
LTA03814	3/8	3/4" - 20 UNEF-2B	14, 14S	25.4	11.9	–	7.3	25
LTA05014	1/2	3/4" - 20 UNEF-2B	14, 14S	31.8	23.8	–	8.7	25
LTA05016	1/2	7/8" - 20 UNEF-2B	16, 16S	31.8	23.8	–	8.7	25
LTA05018	1/2	1" - 20 UNEF-2B	18	31.8	23.8	–	8.7	25
LTA07516	3/4	7/8" - 20 UNEF-2B	16, 16S	38.1	27.0	–	13.6	25
LTA07518	3/4	1" - 20 UNEF-2B	18	38.1	27.0	–	13.6	25
LTA07520	3/4	1 3/16" - 18 UNEF-2B	20, 22	38.1	27.0	–	13.6	25
LTA10020	1	1 3/16" - 18 UNEF-2B	20, 22	43.7	44.5	–	21.0	10
LTA10024	1	1 7/16" - 18 UNEF-2B	25, 28	43.7	44.5	–	21.0	10

Shureseal™

Liquidtight fittings for non-metallic conduits

Type LNMP - metallic fittings

- Easy installation
- Inner polyamide sleeve for protection of conductors
- Liquid- and dust-tight in accordance with IP66
- High mechanical stability (high retention)
- Supplied with locknut and sealing washer



4.2

Technical Information

Conduit type	Shureseal™ conduit type LNMP
Style/thread	Straight, 45°, 90°, NPT thread
System IP rating	IP66
Material	Galvanised steel, chromate finish
Connecting sleeve and internal insulation	Polyamide 6.6
Colour	Metallic

Approvals



E23018

Ordering Information

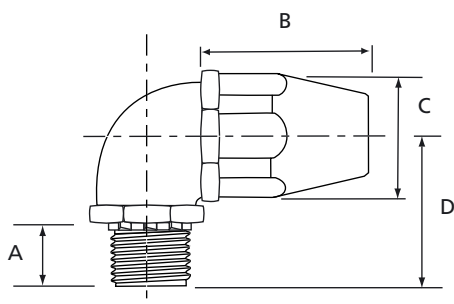
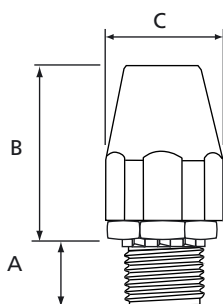
PRODUCT REF.	FOR CONDUIT SIZE [inch]	THREAD SIZE [inch]	DIMENSIONS				WEIGHT [kg/100]	QUANTITY [pieces]
			A [mm]	B [mm]	C [mm]	D [mm]		
STRAIGHT FITTING WITH NPT THREAD (SUPPLIED WITH LOCKNUT AND SEALING WASHER)								
3720-TB*	3/8	1/2	29.4	51.0	12.0	-	8.2	25
3721-TB	1/2	1/2	34.9	54.0	16.0	-	9.1	25
3722-TB	3/4	3/4	41.3	57.2	21.0	-	13.6	25
3723	1	1	47.6	63.5	26.0	-	23.6	10
3724-TB	1 1/4	1 1/4	60.3	76.2	35.0	-	40.0	5
3725	1 1/2	1 1/2	69.9	85.7	41.0	-	59.0	2
3726	2	2	89.7	92.1	50.0	-	118.0	1
45° FITTING WITH NPT THREAD (SUPPLIED WITH LOCKNUT AND SEALING WASHER)								
3730-TB*	3/8	1/2	29.4	51.6	12.0	-	5.4	25
3731-TB	1/2	1/2	34.9	65.1	16.0	-	8.2	25
3732	3/4	3/4	41.3	76.2	21.0	-	20.8	10
3733-TB	1	1	47.6	88.9	26.0	-	31.2	5
3734-TB	1 1/4	1 1/4	60.3	104.8	35.0	-	54.4	5
3735-TB	1 1/2	1 1/2	69.9	123.8	41.0	-	77.0	2
90° FITTING WITH NPT THREAD (SUPPLIED WITH LOCKNUT AND SEALING WASHER)								
3740*	3/8	1/2	29.4	41.3	12.0	33.3	5.0	25
3741	1/2	1/2	34.9	44.5	16.0	35.7	7.7	25
3742	3/4	3/4	41.3	57.2	21.0	39.7	22.6	10
3743-TB	1	1	47.6	65.1	26.0	47.6	30.7	5
3744-TB	1 1/4	1 1/4	60.3	82.6	35.0	57.2	54.4	5
3745	1 1/2	1 1/2	69.9	88.9	41.0	60.3	77.0	2
3746-TB	2	2	89.7	104.8	53.2	73.0	145.0	1

* The Product Ref. with a * are not UL approved

Liquidtight fittings for non-metallic conduits

Type LNMP - plastic fittings

- Easy installation
- High strength, chemical resistant, non-burning, non dripping thermoplastic construction
- Smooth insulated body throughout for maximum dielectric strength
- Ideal for corrosion resistant applications
- Liquid- and dust-tight in accordance with IP66
- Serrated design provides high mechanical pullout strength
- Supplied with steel locknut and sealing 'O' ring



Technical Information

Conduit type	Shureseal™ conduit type LNMP
Style/thread	Straight, 90°
System IP rating	IP66
Material	Body: thermoplastic Gland nut: thermoplastic 'O' Ring: Neoprene Locknut: Steel, case hardened and zinc plated

Approvals

MEETS
COAST
GUARD

CG293

E23018

Ordering Information

PRODUCT REF.	FOR CONDUIT SIZE [inch]	THREAD SIZE [inch]	DIMENSIONS				QUANTITY [pieces]
			A [mm]	B [mm]	C [mm]	D [mm]	
STRAIGHT PLASTIC FITTING WITH NPT THREAD (SUPPLIED WITH LOCKNUT AND SEALING 'O' RING)							
6302	1/2	1/2	37.6	57.9	14.5	–	20
6303	3/4	3/4	44.7	62.5	19.1	–	10
6304	1	1	53.3	67.6	24.4	–	5
6305	1 1/4	1 1/4	67.8	78.5	32.0	–	5
90° PLASTIC FITTING WITH NPT THREAD (SUPPLIED WITH LOCKNUT AND SEALING 'O' RING)							
6322	1/2	1/2	37.6	39.6	14.5	39.9	20
6323	3/4	3/4	44.7	44.2	19.1	43.4	10
6324	1	1	53.3	45.2	24.4	50.8	5
6325	1 1/4	1 1/4	67.8	54.1	32.0	61.2	5

Shureseal™

Liquidtight fittings for non-metallic conduits

Type EFC - plastic Bullet fittings

- Liquid-tight, dust-tight and oil-resistant
- Thomas & Betts patented quick connecting feature designed to prevent unlocking
- The spiral-shaped EFC conduit coil locks into fitting
- No loose pieces - secure against vibration
- Supplied with sealing washer (O ring)
- Fittings with NPT threads are supplied with locknut

Technical Information

Conduit type	Shureseal™ conduit type EFC
Style/thread	Straight, 45°, 90°, NPT and metric (I.S.O.) threads
IP rating	IP65
Material	UV-resistant thermoplastic
Locknut	Zinc plated steel
Sealing washer	Nitril
Colour	Black
Temperature range	-45°C to +105°C
Flammability rating	Self-extinguishing according to UL 94 V-2



4.2

Approvals



LR52391



E23018

Fig. 1

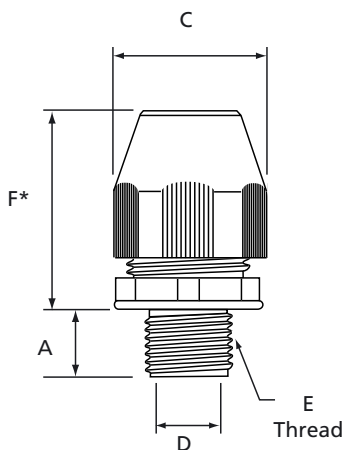


Fig. 2

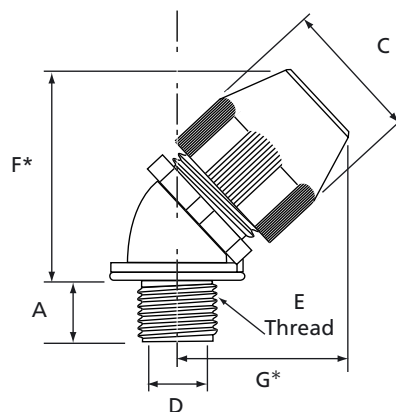
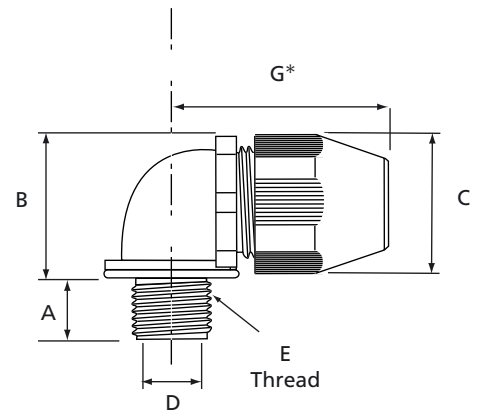


Fig. 3



* Variable dimensions

Liquidtight fittings for non-metallic
conduits

Type EFC - plastic Bullet fittings

Ordering Information

PRODUCT REF.	THREAD	THREAD SIZE	DIMENSIONS			D MIN. THROAT	F*	G*	WEIGHT	QUANTITY
	SIZE [inch]	E	A [mm]	B [mm]	C [mm]	DIAMETER [mm]	APPROX. [mm]	APPROX. [mm]		
STRAIGHT FITTING WITH METRIC (I.S.O.) THREAD - FIG.1										
LT38P-ISO20	3/8	M20	14.5	–	34.4	10.6	40.5	–	3.9	20
LT50P-ISO20	1/2	M20	14.5	–	36.8	14.0	41.6	–	4.1	20
LT75P-ISO25	3/4	M25	14.8	–	44.2	18.8	44.6	–	6.3	10
STRAIGHT FITTING WITH NPT THREAD (SUPPLIED WITH LOCKNUT) - FIG.1										
LT38P	3/8	1/2"	14.5	–	34.4	10.6	40.5	–	3.9	20
LT50P	1/2	1/2"	14.5	–	36.8	14.0	41.6	–	4.1	20
LT75P	3/4	3/4"	14.8	–	44.2	18.8	44.6	–	6.3	10
LT100P	1	1"	18.4	–	52.5	23.9	48.8	–	9.9	5
LT125P	1 1/4	1 1/4"	19.1	–	63.4	31.9	55.0	–	15.2	5
LT150P	1 1/2	1 1/2"	19.5	–	70.7	36.9	59.8	–	21.3	2
LT200P	2	2"	20.2	–	85.4	47.8	66.2	–	34.0	1
90° FITTING WITH METRIC (I.S.O.) THREAD - FIG.3										
LT938P-ISO20	3/8	M20	14.5	35.0	34.4	10.6	–	47.8	4.9	20
LT950P-ISO20	1/2	M20	14.5	37.8	36.8	14.0	–	50.4	4.9	20
LT975P-ISO25	3/4	M25	14.8	45.5	44.2	18.8	–	56.0	7.8	10
90° FITTING WITH NPT THREAD (SUPPLIED WITH LOCKNUT) - FIG.3										
LT938P	3/8	1/2"	14.5	35.0	34.4	10.6	–	47.8	4.9	10
LT950P	1/2	1/2"	14.5	37.8	36.8	14.0	–	50.4	4.9	10
LT975P	3/4	3/4"	14.8	45.5	44.2	18.8	–	56.2	7.8	10
LT9100P	1	1"	18.4	53.4	44.2	23.9	–	63.7	12.6	5
LT9125P	1 1/4	1 1/4"	19.1	65.1	52.5	31.9	–	72.5	21.3	2
LT9150P	1 1/2	1 1/2"	19.5	72.5	63.4	36.9	–	79.9	36.3	2
LT9200P	2	2"	20.2	87.2	70.7	47.8	–	93.3	40.8	1
45° FITTING WITH NPT THREAD (SUPPLIED WITH LOCKNUT) - FIG.2										
LT438P	3/8	1/2"	14.5	–	34.4	10.6	39.0	35.1	4.8	20
LT450P	1/2	1/2"	14.5	–	36.8	14.0	40.4	37.8	5.0	20
LT475P	3/4	3/4"	14.8	–	44.2	18.8	46.3	45.5	7.4	10
LT4100P	1	1"	18.4	–	52.5	23.9	51.7	53.4	11.7	5
LT4125P	1 1/4	1 1/4"	19.0	–	43.4	31.9	60.6	65.1	20.9	5
LT4150P	1 1/2	1 1/2"	19.5	–	70.7	36.9	66.1	72.5	24.7	2
LT4200P	2	2"	20.2	–	85.4	47.8	77.5	87.2	38.1	1

* Dimensions F and G are after assembly (approx.)

Liquidtight fittings for non-metallic conduits

Type EFC - metallic Bullet fittings

- Metallic fitting, designed for type EFC flexible plastic conduit
- Liquid-tight, dust-tight and oil-resistant
- Robust construction, ideal for demanding applications like in the railway industry (can be used with other kind of conduits and hoses commonly used in the railway industry, such as textile inserted rubber hoses,...)
- Liquid-tight, dust-tight and oil-resistant
- Thomas & Betts patented quick connecting feature designed to prevent unlocking
- Separate rotating attachment for easy fitting of conduit
- Spiral-shaped EFC conduit coil locks into fitting
- No loose pieces - secure against vibration
- Delivered with locknut

Technical Information

Conduit type	Shureseal™ conduit type EFC
Style/thread	Straight, 45°, 90°, NPT and Metric (I.S.O.) threads
IP rating	IP65
Material	Body: zinc plated steel Gland nut: zinc steel Insert: nylon

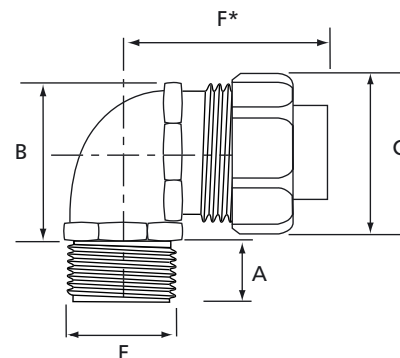
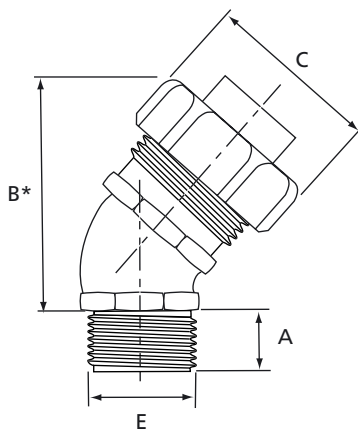
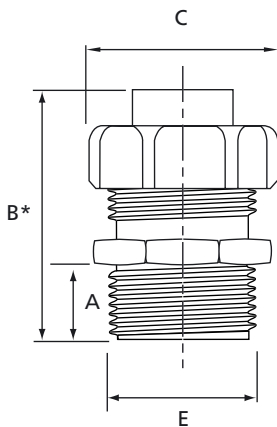
Approvals



LR52391



E23018



Liquidtight fittings for non-metallic
conduits

Type EFC - metallic Bullet fittings

Ordering Information

PRODUCT REF.	CONDUIT SIZE [inch]	THREAD SIZE E	DIMENSIONS				WEIGHT [kg/100]	QUANTITY [pieces]
			A [mm]	B [mm]	C [mm]	F [mm]		
STRAIGHT FITTING WITH METRIC (I.S.O) THREAD - FIG.1								
LT38M-ISO20	3/8	M20	14.3	38.1(*)	29.4	–	5.8	25
LT50M-ISO20	1/2	M20	14.3	39.7(*)	34.9	–	7.7	25
LT75M-ISO25	3/4	M25	15.9	41.2(*)	42.1	–	10.9	25
STRAIGHT FITTING WITH NPT THREAD - FIG.1								
LT38M	3/8	3/8"	14.3	38.1(*)	29.4	–	5.8	25
LT50M	1/2	1/2"	14.3	39.7(*)	34.9	–	7.7	25
LT75M	3/4	3/4"	15.9	41.2(*)	42.1	–	10.9	25
LT100M	1	1"	19.0	52.4(*)	47.6	–	16.1	10
LT125M	1 1/4	1 1/4"	20.6	63.5(*)	60.3	–	28.9	5
LT150M	1 1/2	1 1/2"	20.6	68.2(*)	69.8	–	46.7	2
LT200M	2	2"	20.6	77.8(*)	88.1	–	69.9	1
90° FITTING WITH METRIC (I.S.O) THREAD - FIG.3								
LT938M-ISO20	3/8	M20	15.9	33.3	29.4	34.9(*)	9.4	25
LT950M-ISO20	1/2	M20	15.9	36.5	34.9	39.7(*)	13.2	25
LT975M-ISO25	3/4	M25	15.9	44.4	42.1	44.4(*)	18.1	25
90° FITTING WITH NPT THREAD - FIG.3								
LT938M	3/8	3/8"	15.9	33.3	29.4	34.9(*)	9.4	25
LT950M	1/2	1/2"	15.9	36.5	34.9	39.7(*)	13.2	25
LT975M	3/4	3/4"	15.9	44.4	42.1	44.4(*)	18.1	25
LT9100M	1	1"	20.6	49.2	47.6	55.5(*)	30.2	10
LT9125M	1 1/4	1 1/4"	20.6	63.5	60.3	69.8(*)	55.7	5
LT9150M	1 1/2	1 1/2"	20.6	71.4	69.8	74.6(*)	76.4	2
LT9200M	2	2"	22.2	88.9	88.1	87.3(*)	116.6	1
45° FITTING WITH METRIC (I.S.O) THREAD - FIG.2								
LT438M-ISO20	3/8	M20	14.3	49.8(*)	29.4	–	7.7	25
LT450M-ISO20	1/2	M20	14.3	47.6(*)	34.9	–	14.2	25
45° FITTING WITH NPT THREAD - FIG.2								
LT438M	3/8	3/8"	14.3	49.8(*)	29.4	–	7.7	25
LT450M	1/2	1/2"	14.3	47.6(*)	34.9	–	14.2	25
LT475M	3/4	3/4"	14.3	54.0(*)	42.1	–	18.6	10
LT4100M	1	1"	20.6	57.1(*)	47.6	–	25.5	5
LT4125M	1 1/4	1 1/4"	20.6	69.8(*)	60.3	–	49.6	5
LT4150M	1 1/2	1 1/2"	20.6	69.8(*)	69.8	–	68.0	2
LT4200M	2	2"	22.2	98.4(*)	88.1	–	99.8	1

Note: dimensions shown with a (*) are after assembly (approx.)

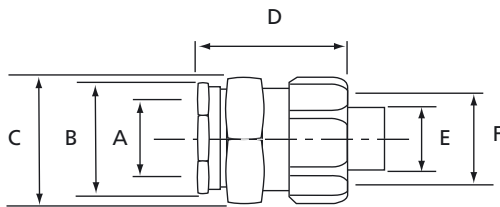
Liquidtight fittings for non-metallic conduits

Type EFC - metallic Bullet, Chase version

- Metallic fitting, designed for type EFC flexible plastic conduit Special version (Chase) for space saving assembly, thanks to the male nipple that can be screwed into the female thread of the body
- Liquid-tight, dust-tight and oil-resistant
- Robust construction, ideal for demanding applications like in the railway industry (can be used with other kind of conduits and hoses commonly used in the railway industry, such as textile inserted rubber hoses,...)
- Spiral-shaped EFC conduit coil locks into fitting
- The fitting is composed of 5 components: nipple with insulation throat, o-ring, body, insert and gland nut (Product Ref. LT6275MI also includes an additional sleeve)

Technical Information

Conduit type	Shureseal™ conduit type EFC
Style/thread	Straight
IP rating	IP65
Material	Body: zinc plated steel Gland nut: zinc plated steel Insert: nylon O-ring: neoprene



Ordering Information

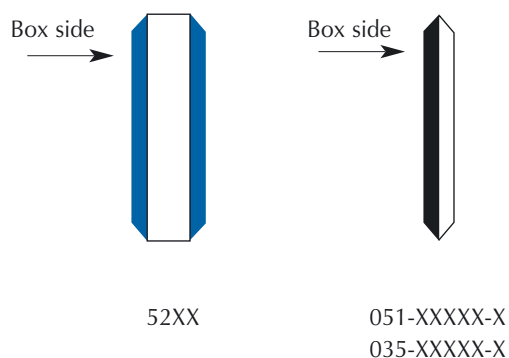
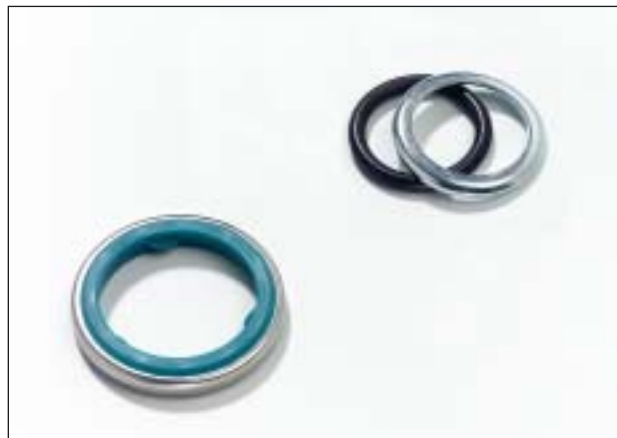
PRODUCT REF.	FOR CONDUIT SIZE [inch]	DIMENSIONS					
		ø A*	B	C	D	ø E*	ø F*
		[mm]	ACROSS FLATS [mm]	ACROSS FLATS [mm]	APPROX. [mm]	[mm]	[mm]
LT638MI	3/8	14.5	24	30	30	12.4	18.4
LT650MI	1/2	14.5	24	30	30	15.4	22.0
LT675MI	3/4	18.0	32	36	36	20.0	29.0
LT6100MI	1	23.5	40	41	41	26.0	35.0
LT6125MI	1 1/4	31.0	45	60	60	34.0	44.5
LT6150MI	1 1/2	38.0	54	65	65	39.0	50.0
LT6275MI	–	60.0	78	93	125	65.0	70.0

* ø A = inner diameter in fitting
ø E = min. inner diameter of conduit
ø F = max. outer diameter of conduit

Shureseal™

Accessories for fittings Sealing washers

- Design locks resilient sealing material in steel
- Steel retainer protects seal from extruding out under torque and limits compression to an optimum predetermined value; provides high quality seal
- Resilient material flows and seals rough surfaces



Technical Information

Fitting Type	Shureseal™ and Shureflex™ fittings
Style/thread	NPT, Metric (I.S.O.) and Imperial Threads
Material	Chromated galvanised steel, with blue Buna-N rubber or black synthetic rubber
Colour	Metallic

Approvals



002884



E13938

Ordering Information

PRODUCT REF.	THREAD SIZE	WEIGHT [kg/100]	QUANTITY [pieces]
SEALING WASHERS FOR METRIC (I.S.O.) FITTINGS			
051-72123-1*	M16	0.2	100
035-72272-1*	M20	0.2	100
035-72272-2*	M25	0.3	100
035-72272-3*	M32	0.3	100
SEALING WASHERS FOR NPT FITTINGS			
5261*	3/8"	0.2	50
5262	1/2"	0.2	50
5263	3/4"	0.3	25
5264	1"	0.3	25
5265	1 1/4"	1.8	5
5266	1 1/2"	1.9	5
5267	2"	2.0	5
5268	2 1/2"	2.2	5
5269	3"	2.9	5
5270	4"	3.8	5
SEALING WASHERS FOR IMPERIAL FITTINGS			
035 - 72272 - 4	1 1/2"	1.8	100
051 - 72123 - 6	2"	1.9	50

* The Product Ref. with a * are not UL approved

Shureseal™

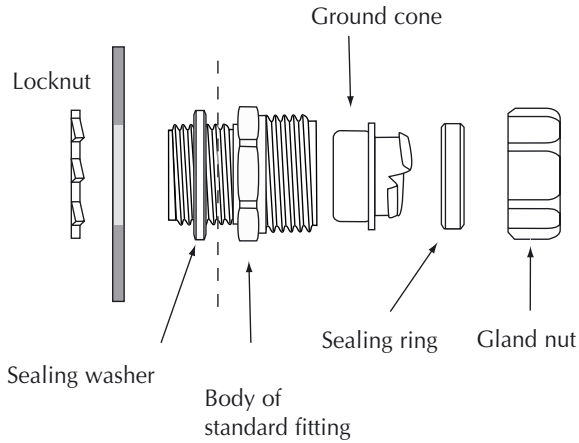
Accessories for fittings

Locknuts

Case-Hardened Locknut with Teeth provides superior strength and electrical bonding and can be installed without a wrench in the enclosure.



4.2



Technical Information

Fitting Type	Shureseal™ fittings
Thread	NPT
Material	Galvanised steel, chromated
Colour	Metallic

Approvals



004484



E23018

Ordering Information

PRODUCT REF.	NPT THREAD SIZE [inch]	WEIGHT [g/100]	QUANTITY [pieces]
NPT LOCKNUT			
139	1/4	0.4	100
140	3/8	0.5	100
141	1/2	0.5	100
142-TB	3/4	0.9	100
143	1	1.8	50
144	1 1/4	3.2	50
145	1 1/2	4.0	50
146-TB	2	6.3	25
147	2 1/2	11.7	15
148	3	18.0	5
149	3 1/2	19.8	5
150	4	23.4	5

Strain Relief Wire Mesh adaptor with integrated gland nut:

- Simple installation: just replace the existing gland nut in the fitting with the wire mesh adaptor
- Provides a support function (strain relief), to protect the conduit at the point of connection
- Rounded corners ensure secure attachment of the conduit without the risk of damage
- Anti-corrosive



Approvals



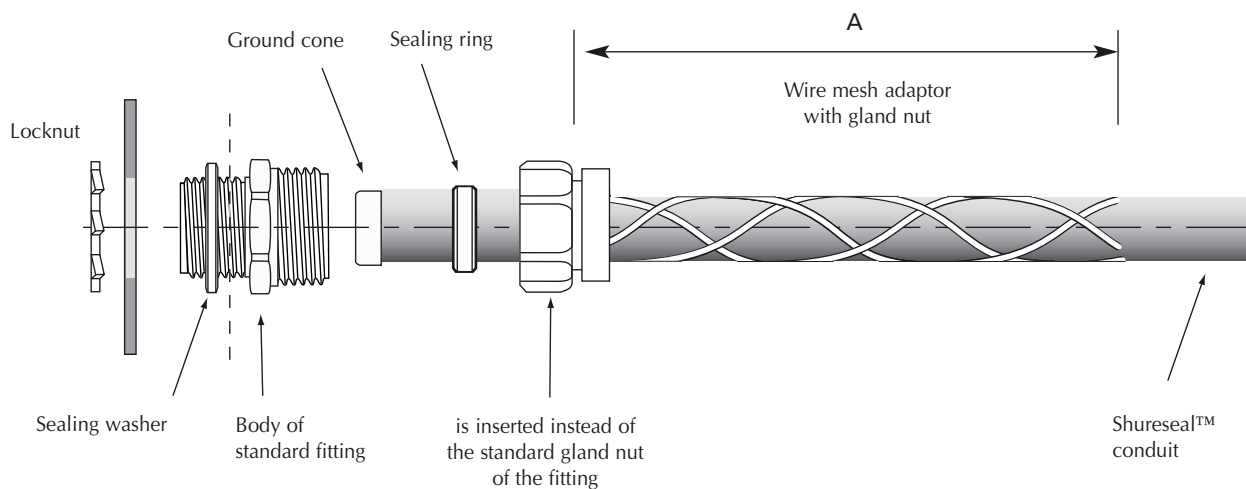
002884
4484



E13938
E23018

Technical Information

Fitting Type	Shureseal™ liquidtight fittings for metallic conduits (straight, 45°, 90°, chase, female hub)
Thread	Replaces the standard gland nut
Material	Gland nut: zinc plated steel Collar: aluminium Wire mesh: aluminium
Colour	Metallic



Ordering Information

PRODUCT REF.	CONDUIT SIZE [inch]	STRAIGHT FITTING [prod. ref.]	45° FITTING [prod. ref.]	90° FITTING [prod. ref.]	CHASE FITTING [prod. ref.]	CHASE 90 ° FITTING [prod. ref.]	ADAPTER [prod. ref.]	WEIGHT [kg/100]	QUANTITY [pieces]
FOR FITTINGS WITH ISO THREAD									
WMG-LT1	3/8	9360, 9361	9340, 9341	9350, 9351	–	–	9270, 9271	2.5	10
WMG-LT2	1/2	9362	9342	9352-TB	–	–	9272	4.0	10
WMG-LT3	3/4	9363	9343-TB	9353-TB	–	–	9273	5.0	10
WMG-LT4	1	9364	9344	9354-TB	–	–	9274	10.0	10
FOR FITTINGS WITH PG THREAD									
WMG-LT1	3/8	7361, 7362	7341, 7342	7351, 7352	–	–	–	2.5	10
WMG-LT2	1/2	7363	7343	7353	–	–	–	4.0	10
WMG-LT3	3/4	7364	7344-TB	7354	–	–	–	5.0	10
WMG-LT4	1	7365	7345	7355	–	–	–	10.0	10
WMG-LT5	1 1/4	7366	7346	7356	–	–	–	17.0	2
WMG-LT6	1 1/2	7367	7347	7357	–	–	–	29.0	2
WMG-LT7	2	7368	7348-TB	7358	–	–	–	43.0	5
FOR FITTINGS WITH NPT THREAD									
WMG-LT1	3/8	5331	5341	5351	5361	5371	5271	2.5	10
WMG-LT2	1/2	5332	5342	5352	5362	5372	5272	4.0	10
WMG-LT3	3/4	5333	5343	5353	5363	5373	5273	5.0	10
WMG-LT4	1	5334-TB	5344	5354	5364	5374	5274	10.0	10
WMG-LT5	1 1/4	5335	5345	5355	5365	–	5275	17.0	2
WMG-LT6	1 1/2	5336	5346	5356	5366	–	5276	29.0	2
WMG-LT7	2	5337	5347	5357	5367	–	5277	43.0	5
FOR FITTINGS WITH IMPERIAL THREAD									
WMG-LT5	1 1/4	6365	–	6355	–	–	–	17.0	2
WMG-LT6	1 1/2	6366	6346	6356	–	–	–	29.0	2
WMG-LT7	2	6367	6347	–	–	–	–	43.0	5

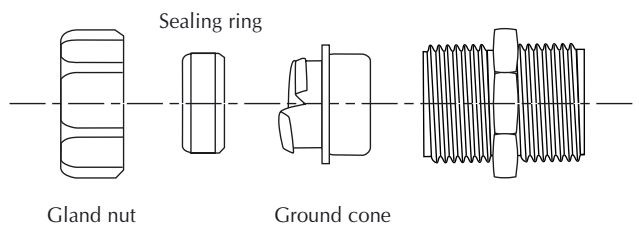
Replacements parts for liquidtight metallic fittings

If after some time the fitting is released and needs to be re-secured, the seal and the ground cone should be replaced.

The following accessories are appropriate for all the standard liquidtight Shureseal™ fittings for metallic conduits:

- **Steel ground cone:** it provides a high quality ground contact with low impedance and high conduit pull-off resistance. The single helical thread on ground cone is easy to install by hand without cross threading. It tolerates variations in conduit diameters and convolution pitch. Its rolled-over edge protects the conductors. Manufactured in zinc plated steel.
- **Sealing ring:** it grips and seals the conduit without damaging the conduit jacket. Its symmetrical shape assures a foolproof assembly. It ensures a positive seal against oils, liquids, moisture and dust. Made from high-performance nylon. Colour: blue.
- **Gland nut:** rugged construction, made of zinc plated steel. Reinforced corners to allow hand screwing.

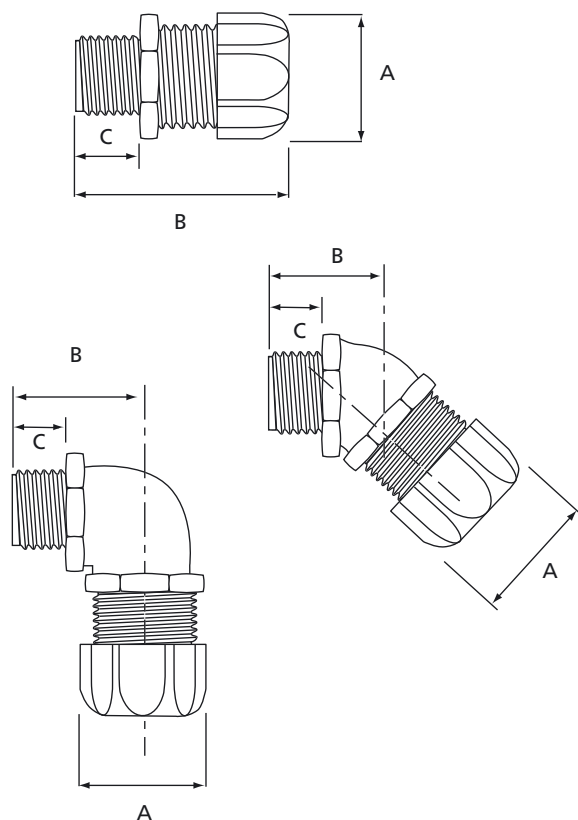
Fitting replacement parts



Ordering Information

PRODUCT REF.	CONDUIT SIZE [inch]
GROUND CONE	
R 719124	1/4
IR 719123	5/16
R 719101	3/8
R 719125	1/2
R 719126	3/4
R 719127	1
IR 719128	1 1/4
IR 719129	1 1/2
SEALING RING	
7 R68301	5/16
IR 763101	3/8
IR 763102	1/2
IR 763108	3/4
IR 763104	1
IR 763105	1 1/4
IR 763106	1 1/2
GLANDNUT	
7 R68201	5/16
R 735540	3/8
R 735503	1/2
R 735504	3/4
R 735522	1
IR 735509	1 1/4
IR 723418	1 1/2

- High performance metal cable fittings
- Special construction prevents twisting and ensures effective strain relief
- Easy to install
- For cables with outer diameters from 3.2 mm to 47.6 mm



Technical Information

Style/thread	Straight, 45° and 90° NPT and metric (I.S.O.) threads
System IP rating	IP65
Body (material)	Zinc or galvanized steel
Gland nut (material)	Steel or galvanised steel
Seal (material)	Neoprene or rubber
Colour	Metallic
Temperature range	-35°C to +105°C

Approvals



052391
00589
004484



E-13938

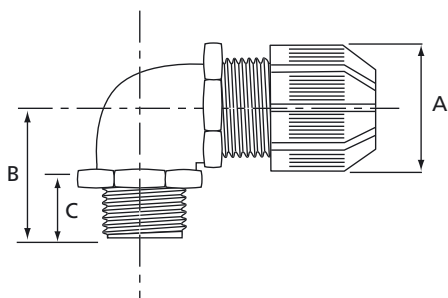
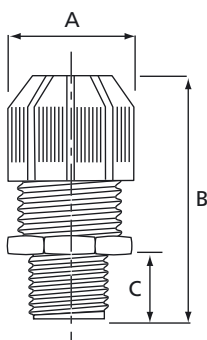
Ordering Information

PRODUCT REF.	MATERIAL BODY	MATERIAL SEAL	MATERIAL NUT	CABLE Ø RANGE FROM...TO [mm]	THREAD SIZE	DIMENSIONS			QUANTITY [pieces]
						A [mm]	B [mm]	C [mm]	
STRAIGHT METALLIC CABLE GLAND WITH METRIC (I.S.O.) THREAD									
9520	zinc plated steel	Neoprene	zinc plated steel	3.2 - 6.3	M20	28.6	42.0	14.3	25
9521-EU	zinc plated steel	Neoprene	zinc plated steel	6.3 - 9.5	M20	28.6	42.0	14.3	25
9522-EU	zinc plated steel	Neoprene	zinc plated steel	9.5 - 12.7	M20	28.6	42.0	14.3	25
9523	zinc plated steel	Neoprene	zinc plated steel	11.4 - 14.2	M20	28.6	42.0	14.3	25
9524-EU	zinc plated steel	Neoprene	zinc plated steel	12.7 - 15.8	M20	34.9	44.5	15.0	25
90° METALLIC CABLE GLAND WITH NPT THREAD									
4960	zinc plated steel	rubber	steel	3.2 - 9.5	1/2"	28.6	44.5	15.9	25
4961	zinc plated steel	rubber	steel	7.9 - 14.2	1/2"	28.6	44.5	15.9	25
4970	zinc plated steel	rubber	steel	3.2 - 9.5	3/4"	34.9	45.2	17.5	10
4971	zinc plated steel	rubber	steel	7.9 - 14.2	3/4"	34.9	45.2	17.5	10
4972	zinc plated steel	rubber	steel	12.7 - 19.0	3/4"	34.9	45.2	17.5	10

Ordering Information

PRODUCT REF.	MATERIAL	MATERIAL	MATERIAL	CABLE Ø RANGE	THREAD	DIMENSIONS			QUANTITY
	BODY	SEAL	NUT			FROM...TO	A	B	
				[mm]	SIZE	[mm]	[mm]	[mm]	[pieces]
					[inch]				
STRAIGHT METALLIC CABLE GLAND WITH NPT THREAD									
2920	zinc	rubber	zinc plated steel	3.2 - 9.5	1/2	28.6	44.5	15.9	25
2921	zinc	rubber	zinc plated steel	7.9 - 14.2	1/2	28.6	44.5	15.9	25
2922	zinc	rubber	zinc plated steel	12.7 - 19.1	1/2	34.9	44.5	15.9	10
2930	zinc	rubber	zinc plated steel	3.2 - 9.5	3/4	34.9	45.2	19.1	10
2931	zinc	rubber	zinc plated steel	7.9 - 14.2	3/4	34.9	45.2	19.1	10
2932	zinc	rubber	zinc plated steel	12.7 - 19.1	3/4	34.9	45.2	19.1	10
2940	zinc	rubber	zinc plated steel	7.9 - 14.2	1	34.9	44.5	20.6	10
2941	zinc	rubber	zinc plated steel	12.7 - 19.1	1	34.9	44.5	20.6	10
2942	zinc	rubber	zinc plated steel	17.8 - 24.1	1	41.3	47.6	20.6	10
2520	zinc	Neoprene	steel	3.2 - 6.4	1/2	29.4	42.9	15.9	25
2521	zinc	Neoprene	steel	6.4 - 9.5	1/2	29.4	42.9	15.9	25
2522	zinc	Neoprene	steel	9.5 - 12.7	1/2	29.4	42.9	15.9	25
2523	zinc	Neoprene	steel	11.4 - 14.2	1/2	29.4	42.9	15.9	25
2524	zinc	Neoprene	steel	12.7 - 15.9	1/2	34.9	44.5	15.9	25
2525	zinc	Neoprene	steel	15.9 - 19.1	1/2	34.9	44.5	15.9	25
2558	zinc	Neoprene	steel	22.4 - 27.1	1 1/4	53.2	54.8	20.6	5
2559	zinc	Neoprene	steel	27.1 - 30.6	1 1/4	53.2	54.8	20.6	5
2562	zinc	Neoprene	steel	20.6 - 25.4	1 1/2	58.7	63.5	17.5	5
2563	zinc	Neoprene	steel	25.4 - 30.1	1 1/2	58.7	63.5	17.5	5
2574	zinc	Neoprene	steel	34.9 - 41.3	2	69.9	66.7	20.6	1
2575	zinc	Neoprene	steel	41.3 - 47.6	2	69.9	66.7	20.6	1
45° METALLIC CABLE GLAND WITH NPT THREAD									
2200	zinc plated malleable iron	Neoprene	zinc plated steel	3.2 - 6.3	1/2	28.6	7.1	14.3	25
2201	zinc plated malleable iron	Neoprene	zinc plated steel	6.3 - 9.5	1/2	28.6	7.1	14.3	25
2202	zinc plated malleable iron	Neoprene	zinc plated steel	9.5 - 12.7	1/2	28.6	7.1	14.3	25
2203	zinc plated malleable iron	Neoprene	zinc plated steel	11.4 - 14.2	1/2	28.6	7.1	14.3	25
2204	zinc plated malleable iron	Neoprene	zinc plated steel	12.7 - 15.9	1/2	34.9	10.3	14.3	10
2205	zinc plated malleable iron	Neoprene	zinc plated steel	15.9 - 19.1	1/2	34.9	35.7	14.3	10
2206-TB	zinc plated malleable iron	Neoprene	zinc plated steel	3.2 - 6.3	3/4	34.9	35.7	15.9	10
2207-TB	zinc plated malleable iron	Neoprene	zinc plated steel	6.3 - 9.5	3/4	34.9	35.7	15.9	10
2208-TB	zinc plated malleable iron	Neoprene	zinc plated steel	9.5 - 12.7	3/4	34.9	35.7	15.9	10
2209	zinc plated malleable iron	Neoprene	zinc plated steel	12.7 - 15.9	3/4	34.9	35.7	15.9	10
2210	zinc plated malleable iron	Neoprene	zinc plated steel	15.9 - 19.1	3/4	34.9	35.7	15.9	10
2211	zinc plated malleable iron	Neoprene	zinc plated steel	19.1 - 22.2	3/4	42.9	38.1	38.1	10
2213	zinc plated malleable iron	Neoprene	zinc plated steel	9.5 - 12.7	1	34.9	38.1	19.8	5
2214	zinc plated malleable iron	Neoprene	zinc plated steel	12.7 - 15.9	1	34.9	38.1	19.8	5
2215	zinc plated malleable iron	Neoprene	zinc plated steel	15.9 - 19.1	1	34.9	38.1	19.8	5
2216	zinc plated malleable iron	Neoprene	zinc plated steel	19.1 - 22.2	1	42.9	37.3	19.8	5
2217	zinc plated malleable iron	Neoprene	zinc plated steel	22.2 - 25.0	1	42.9	37.3	19.8	5
2218	zinc plated malleable iron	Neoprene	zinc plated steel	22.3 - 27.0	1	52.4	50.0	19.8	5
2219	zinc plated malleable iron	Neoprene	zinc plated steel	27.0 - 30.1	1	52.4	50.0	19.8	5
2220-TB	zinc plated malleable iron	Neoprene	zinc plated steel	22.3 - 27.0	1 1/4	52.4	48.4	20.6	2
2221	zinc plated malleable iron	Neoprene	zinc plated steel	27.0 - 30.1	1 1/4	52.4	48.4	20.6	2
2222	zinc plated malleable iron	Neoprene	zinc plated steel	30.1 - 34.9	1 1/4	52.4	57.2	20.6	2
2223	zinc plated malleable iron	Neoprene	zinc plated steel	34.9 - 37.7	1 1/4	52.4	57.2	20.6	2

- High performance plastic cable fittings
- Special construction prevents twisting and ensures effective strain relief
- Easy to install
- For all cable sizes between 3.2 and 24.1 mm of outer diameter



Technical Information

Style/thread	Straight and 90° NPT threads
IP rating	IP65
Material	UV resistant polyamide 6.6.
Steel locknut	Chromate finished steel or zinc
Seal	Neoprene
Colour	Black
Flammability rating	UL 94 V-2
Temperature range	-34°C to +105°C

Approvals



052391



E-13938

Ordering Information

PRODUCT REF.	CABLE DIAMETER RANGE FROM...TO [mm]	THREAD SIZE [inch]	DIMENSIONS			QUANTITY [pieces]
			A [mm]	B [mm]	C [mm]	
STRAIGHT PLASTIC CABLE GLAND WITH NPT THREAD						
2920NM	3.2 - 9.5	1/2	26.2	54.0	15.9	25
2921NM	7.9 - 14.2	1/2	26.2	54.0	15.9	25
2922NM	12.7 - 19.0	1/2	35.7	54.0	15.9	25
2930NM	3.2 - 9.5	3/4	35.7	55.6	15.9	10
2931NM	7.9 - 14.2	3/4	35.7	55.6	15.9	10
2932NM	12.7 - 14.2	3/4	35.7	55.6	15.9	10
2940NM	7.9 - 14.2	1	35.7	59.5	19.8	10
2941NM	12.7 - 19.0	1	35.7	59.5	19.8	10
2942NM	17.8 - 24.1	1	42.5	60.3	19.8	10
90° PLASTIC CABLE GLAND WITH NPT THREAD						
4960NM	3.2 - 9.5	1/2	30.9	31.8	15.9	25
4961NM	7.9 - 14.2	1/2	30.9	31.8	15.9	25
4970NM	3.2 - 9.5	3/4	35.7	34.9	15.9	10
4971NM	7.9 - 14.2	3/4	35.7	34.9	15.9	10
4972NM	12.7 - 19.0	3/4	35.7	34.9	15.9	10

Shureseal™

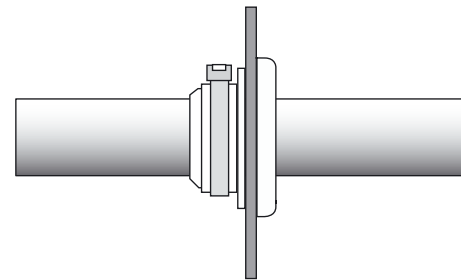
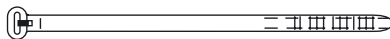
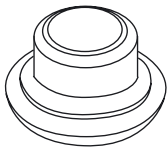
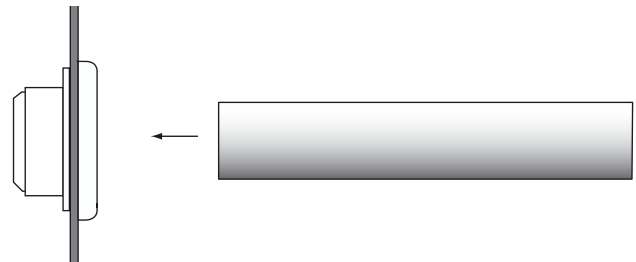
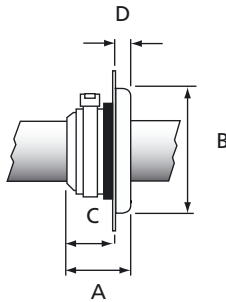
Cable grommets with strain relief

- Supplied with one Ty-Rap® cable tie to ensure a stable, tight and sealed strain relief
- Material with high elasticity
- Can also be used for single cables
- Chemically resistant
- Weather and UV resistant
- Simple and quick installation
- 5 sizes for cable diameters from 4 mm to 32 mm
- Maximal wall thickness 2.2 mm
- Typical applications: In control cabinets, in the building of motor vehicles, in the construction of machines,...



Technical Information

Material, gland	Neoprene
Material, cable tie	Polyamide 6.6
Colour	Black
Temperature range	-30°C to +90°C
Flammability	UL 514



Ordering Information

PRODUCT REF.	MATERIAL	DIMENSIONS				CABLE Ø RANGE FROM ... TO	FIXING HOLE DIAMETER	WALL THICKNESS UP TO	CABLE TIE REFERENCE	WEIGHT [g/100]	QUANTITY [pieces]
		A [mm]	B [mm]	C [mm]	D [mm]						
7401	Neoprene	18.6	24	13.6	5.0	4.0 - 9.0	16	2.2	TY 24 MX	420	10
7402	Neoprene	18.7	28	13.7	5.0	7.0 - 12.0	19	2.2	TY 25 MX	690	10
7403	Neoprene	22.0	34	17.0	5.0	12.0 - 18.0	25	2.2	TY 25 MX	1100	10
7404	Neoprene	24.0	43	19.0	5.0	18.0 - 25.0	32	2.2	TY 25 MX	1500	5
7405	Neoprene	24.5	51	18.5	6.0	25.0 - 32.0	38	2.2	TY 25 MX	1950	5