

# Conventional Fire Alarms

## Pull Stations

### 270 Series



Edwards 270 Series non-coded single-action fire alarm stations are sturdy, attractive, and designed for economical installation. The station provides a single action, break glass, initiating operation. It is available with normally open (N.O.), normally closed (N.C.) or combination N.O./N.C. contacts. The 270 Series have screw terminals for field connection. The 270A Series Manual Stations have 6 inch (150mm) wire leads.

All non-coded stations are designed for either flush or surface mounting. For flush mounting a 4-inch standard North American square box with single gang plaster cover should be used.

### Features and Specifications

- Single action models
- Pull lever for simple, positive operation
- Break glass operation
- Terminals or wire leads for field connections
- Surface or flush mounting
- Red finish
- Less than 5 lb pull force complies with ADA
- Solid, die-cast metal construction
- Operating temperature range: 32°F to 120°F (0°C to 49°C)

### Ordering Information

| Description                | Cat. No. | Contact Rating |                | Field Connections | Switch Contacts                        |
|----------------------------|----------|----------------|----------------|-------------------|--|
|                            |          | Amps           | Voltage        |                   |  |
| Single-Action Pull Station | 270-DPO  | 1.5            | 125V AC/DC     | Screw Terminals   | Double-pole Alarm, Open Circuit        |
|                            |          | 0.5            | 250V AC/DC     |                   |  |
|                            | 270-SPO  | 3.0            | 30V AC, 60V DC | Screw Terminals   | Single-pole Alarm, Open Circuit        |
|                            |          | 1.5            | 125V AC/DC     |                   |  |
|                            | 270A-DPO | 0.5            | 250V AC/DC     | 6" Wire Leads     | Double-pole Alarm, Open Circuit        |
|                            |          | 3.0            | 30V AC, 60V DC |                   |  |
|                            | 270A-SPO | 1.5            | 125V AC/DC     | 6" Wire Leads     | Single-pole Alarm, Open Circuit        |
|                            |          | 0.5            | 250V AC/DC     |                   |  |
|                            | 270-DOC  | 1.5            | 125V AC/DC     | Screw Terminals   | Double-pole Alarm, Open/Closed Circuit |
|                            |          | 0.5            | 250V AC/DC     |                   |  |

### Accessories

| Description                    | Cat. No. |
|--------------------------------|----------|
| Cast Box for Surface Mounting  | P-027193 |
| Steel Box for Surface Mounting | P-039250 |
| Replacement Glass Rods         | 270-GLR  |



MEA



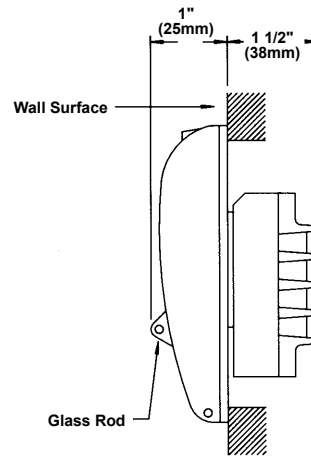
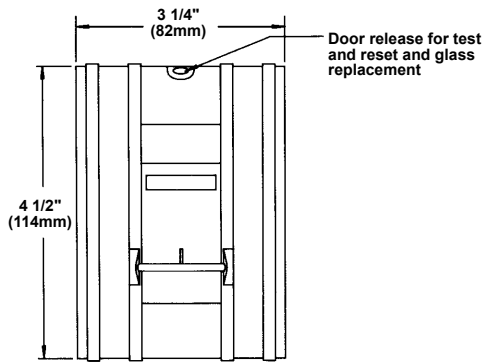
# Conventional Fire Alarms

## Pull Stations

### 270 Series

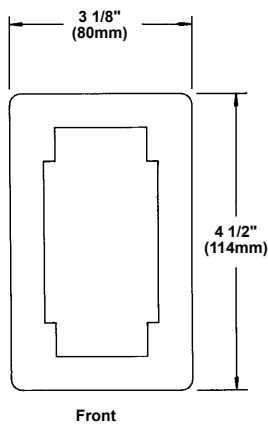
#### Weights and Dimensions

| Cat. No. | Approx. Shipping Weight (lb.) |
|----------|-------------------------------|
| 270-DPO  | 1.0                           |
| 270-SPO  | 1.0                           |
| 270A-DPO | 1.0                           |
| 270A-SPO | 1.0                           |
| 270-DOC  | 1.0                           |
| P-027193 | 1.0                           |
| P-039250 | 1.0                           |

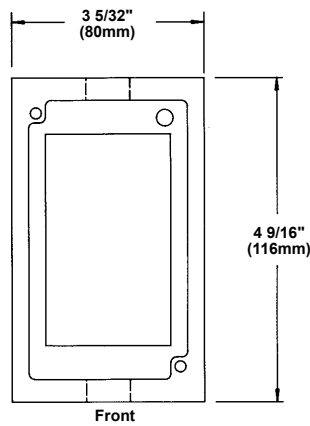
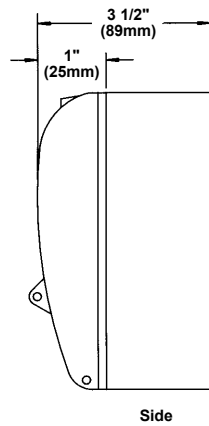


NOTE: Flush mtg. unit fits 4" square box and plaster cover with single gang opening having overall min. depth of 2 1/4"

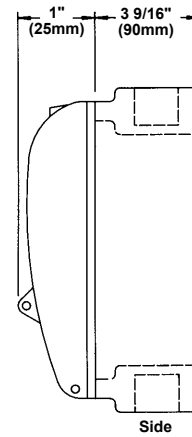
#### Flush Installation Using P-024900 Steel Box



Steel Surface Box  
P-039250



Cast Surface Box  
P-027193



# Conventional Fire Alarms

## Pull Stations

### 270 Series



Edwards 270 Series non-coded single-action fire alarm stations are sturdy, attractive, and designed for economical installation. The station provides a single action, break glass, initiating operation. It is available with normally open (N.O.), normally closed (N.C.) or combination N.O./N.C. contacts. The 270 Series have screw terminals for field connection. The 270A Series Manual Stations have 6 inch (150mm) wire leads.

All non-coded stations are designed for either flush or surface mounting. For flush mounting a 4-inch standard North American square box with single gang plaster cover should be used.

### Features and Specifications

- Single action models
- Pull lever for simple, positive operation
- Break glass operation
- Terminals or wire leads for field connections
- Surface or flush mounting
- Red finish
- Less than 5 lb pull force complies with ADA
- Solid, die-cast metal construction
- Operating temperature range: 32°F to 120°F (0°C to 49°C)

### Ordering Information

| Description                | Cat. No. | Contact Rating |                | Field Connections | Switch Contacts                        |
|----------------------------|----------|----------------|----------------|-------------------|--|
|                            |          | Amps           | Voltage        |                   |  |
| Single-Action Pull Station | 270-DPO  | 1.5            | 125V AC/DC     | Screw Terminals   | Double-pole Alarm, Open Circuit        |
|                            |          | 0.5            | 250V AC/DC     |                   |  |
|                            | 270-SPO  | 3.0            | 30V AC, 60V DC | Screw Terminals   | Single-pole Alarm, Open Circuit        |
|                            |          | 1.5            | 125V AC/DC     |                   |  |
|                            | 270A-DPO | 0.5            | 250V AC/DC     | 6" Wire Leads     | Double-pole Alarm, Open Circuit        |
|                            |          | 3.0            | 30V AC, 60V DC |                   |  |
|                            | 270A-SPO | 1.5            | 125V AC/DC     | 6" Wire Leads     | Single-pole Alarm, Open Circuit        |
|                            |          | 0.5            | 250V AC/DC     |                   |  |
|                            | 270-DOC  | 1.5            | 125V AC/DC     | Screw Terminals   | Double-pole Alarm, Open/Closed Circuit |
|                            |          | 0.5            | 250V AC/DC     |                   |  |

### Accessories

| Description                    | Cat. No. |
|--------------------------------|----------|
| Cast Box for Surface Mounting  | P-027193 |
| Steel Box for Surface Mounting | P-039250 |
| Replacement Glass Rods         | 270-GLR  |



MEA



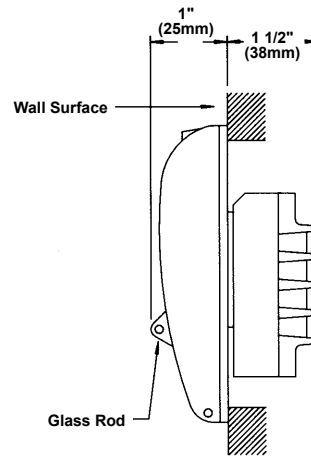
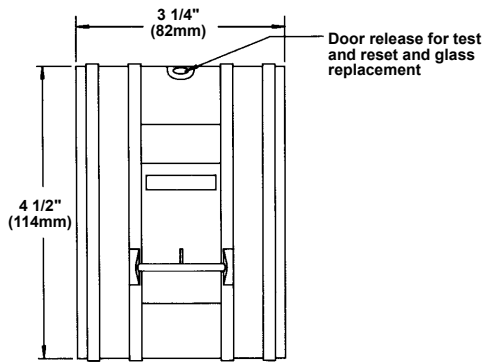
# Conventional Fire Alarms

## Pull Stations

### 270 Series

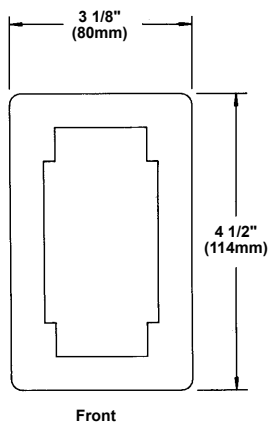
#### Weights and Dimensions

| Cat. No. | Approx. Shipping Weight (lb.) |
|----------|-------------------------------|
| 270-DPO  | 1.0                           |
| 270-SPO  | 1.0                           |
| 270A-DPO | 1.0                           |
| 270A-SPO | 1.0                           |
| 270-DOC  | 1.0                           |
| P-027193 | 1.0                           |
| P-039250 | 1.0                           |

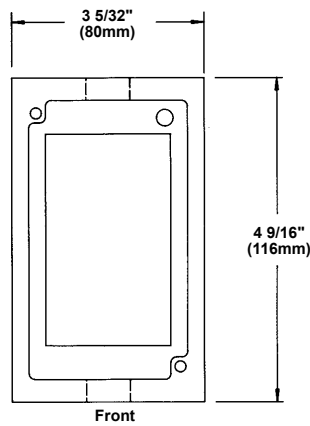
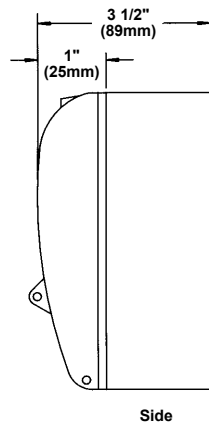


NOTE: Flush mtg. unit fits 4" square box and plaster cover with single gang opening having overall min. depth of 2 1/4"

#### Flush Installation Using P-024900 Steel Box



Steel Surface Box  
P-039250



Cast Surface Box  
P-027193

