



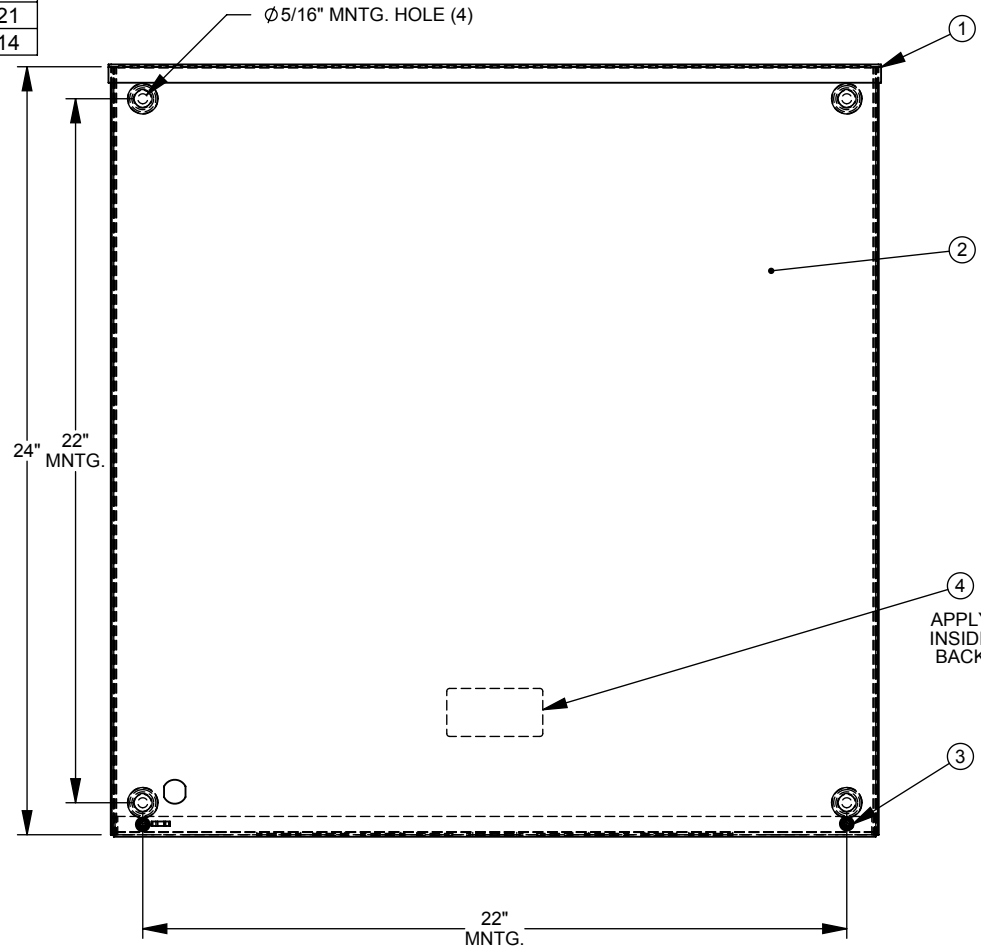
Catalog Number: 24248-SC3R-NK
Item Description: N3R SCREW COVER ENCL NK
UPC Code: 784572104389

Brand Name: Milbank
Type: Screw Cover
Special Features: Drip Shield Top, Cover Secured with Plated Screw, Mounting Embosses on Enclosure Back
Application: Enclosure for Mounting Electrical Equipment
Standard: UL Listed
Number Of Outlet: 0
Material: Steel with Powder Coat Finish
Color: ANSI 61 Gray
Mounting: Wall Mount
NEMA Rating: Type 3R

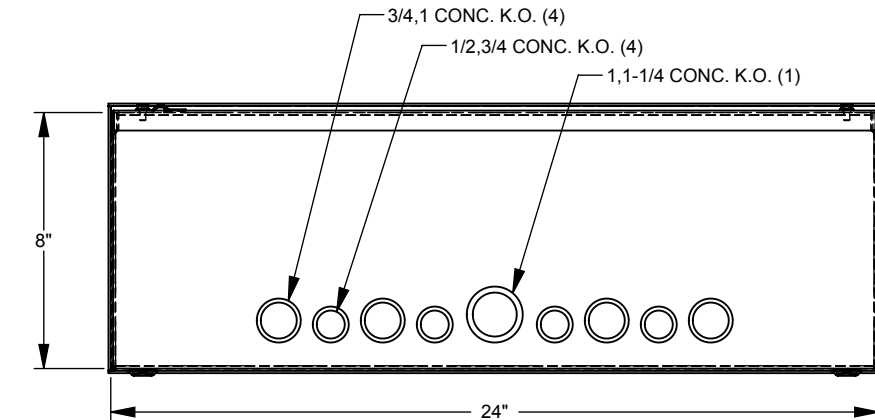


Utility requirements may vary. Always consult the serving utility for their requirements prior to ordering or installing this equipment. This product must always be installed by a licensed electrician. Installation of this equipment may require local electrical inspector approval.


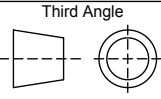
CATALOG NO.	LABEL NO.
24248-SC3R-()	1002135
RC-24248-SC3R-()	1125021
SPRSC-24248()	1132714



ITEM	QTY.	PART NUMBER	DESCRIPTION
1	1	(SEE CHART)	BACK WELDMENT
2	1	(SEE CHART)	FRONT
3	2	1001290	SCREW, 10-32 X 5/16
4	1	(SEE CHART)	LABEL (UL)
5	1	1002955	CARTON (1-PER)



SUFFIX	FINISH	WELDMENT NO.	PLATE NO.	INSTALL KOS
NONE	MILBANK LIGHT GRAY	1162446	1004414	YES
-NP	NONE	1162448	1010757	
-NK	MILBANK LIGHT GRAY	1162447	1004414	NO
-NK-NP	NONE	1162449	1010757	

Material:	14 GA. GALV. STEEL	 <p>General Offices: Kansas City, MO</p>	
Shear/ Die#:			
Finish:	SEE CHART	Title:	SCREW COVER CAN 24x24x8 TYPE 3R ENCLOSURE
Part Wt.:		Catalog No.:	SEE CHART
Tolerances: Unless Specified Otherwise X.X ±.1 X.XX ±.03 X.XXX ±.015 X* ±2*		Customer:	MILBANK STANDARD
Third Angle 		Drawing No.:	1001898
Scale:	NTS	Checked By:	
Drawn By:	D.F.	Approved By:	
Date:	12/19/12	Sheet	1 of 1

NEMA DWG.: #204

REV.	DATE	DESCRIPTION	BY
C	12/19/12	CHART VERSIONS; ADD CARTON (ECO #23313)	D.F.