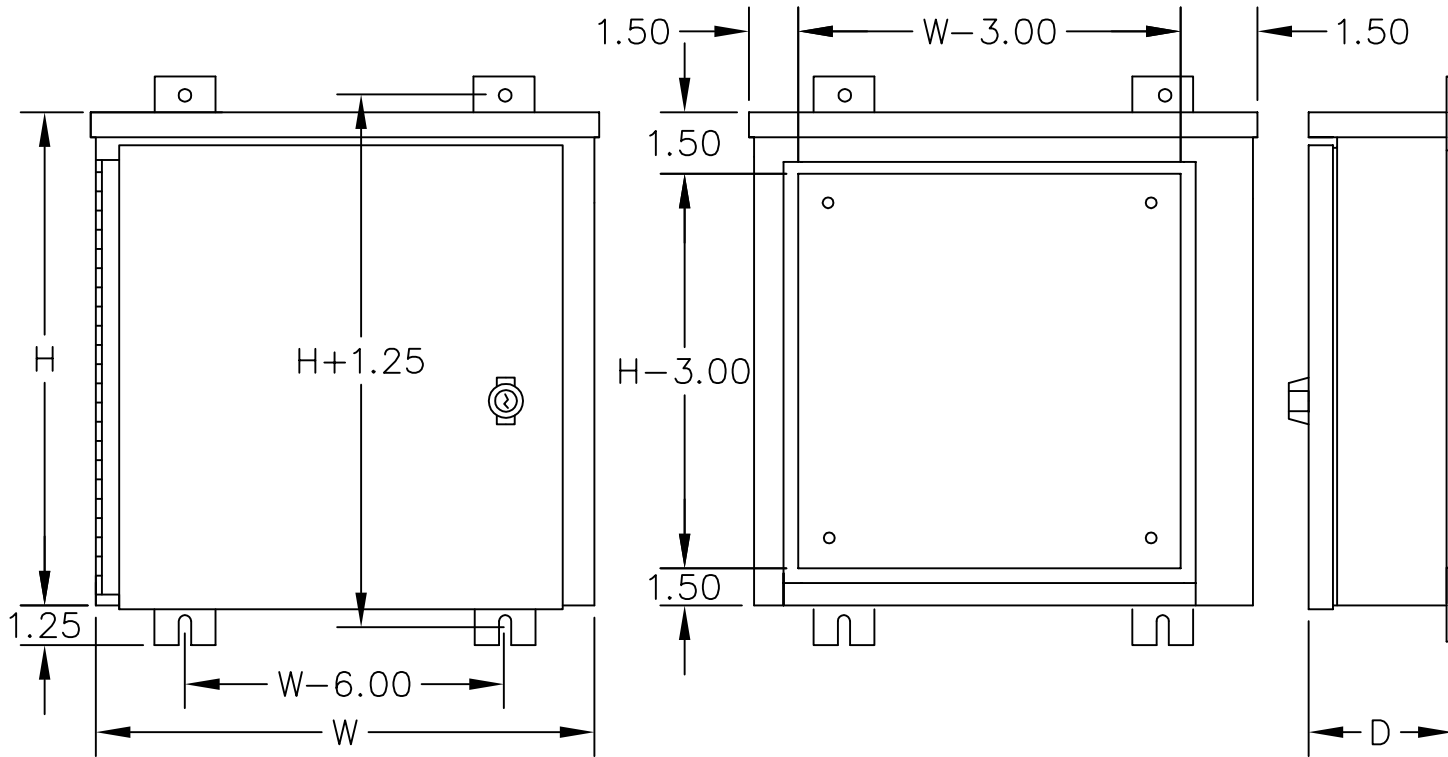


CATALOG#: RE

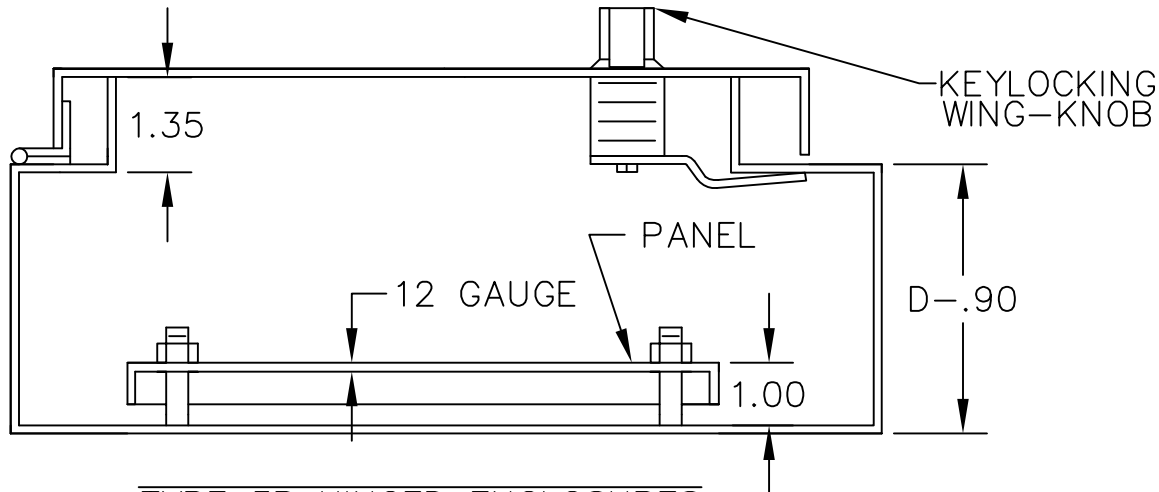
UL LISTED

CANADIAN UL LISTED



CONSTRUCTION:
 -14 GAUGE PAINT GRIP GALVANIZED STEEL.
 -DRIP SHIELD TOP, FRONT, AND BACK PROTECT FROM RAIN, SNOW, OR SLEET.
 -CONTINUOUS HINGE.
 -COVER FASTENED SECURELY WITH KEYLOCKING WING-KNOB.
 -STUDS PROVIDED FOR MOUNTING OPTIONAL PANEL

FINISH:
 -ANSI 61 GRAY POLYESTER POWDER COATING INSIDE AND OUT.



H	W	D

APPROVAL:

TYPE 3R HINGED ENCLOSURES



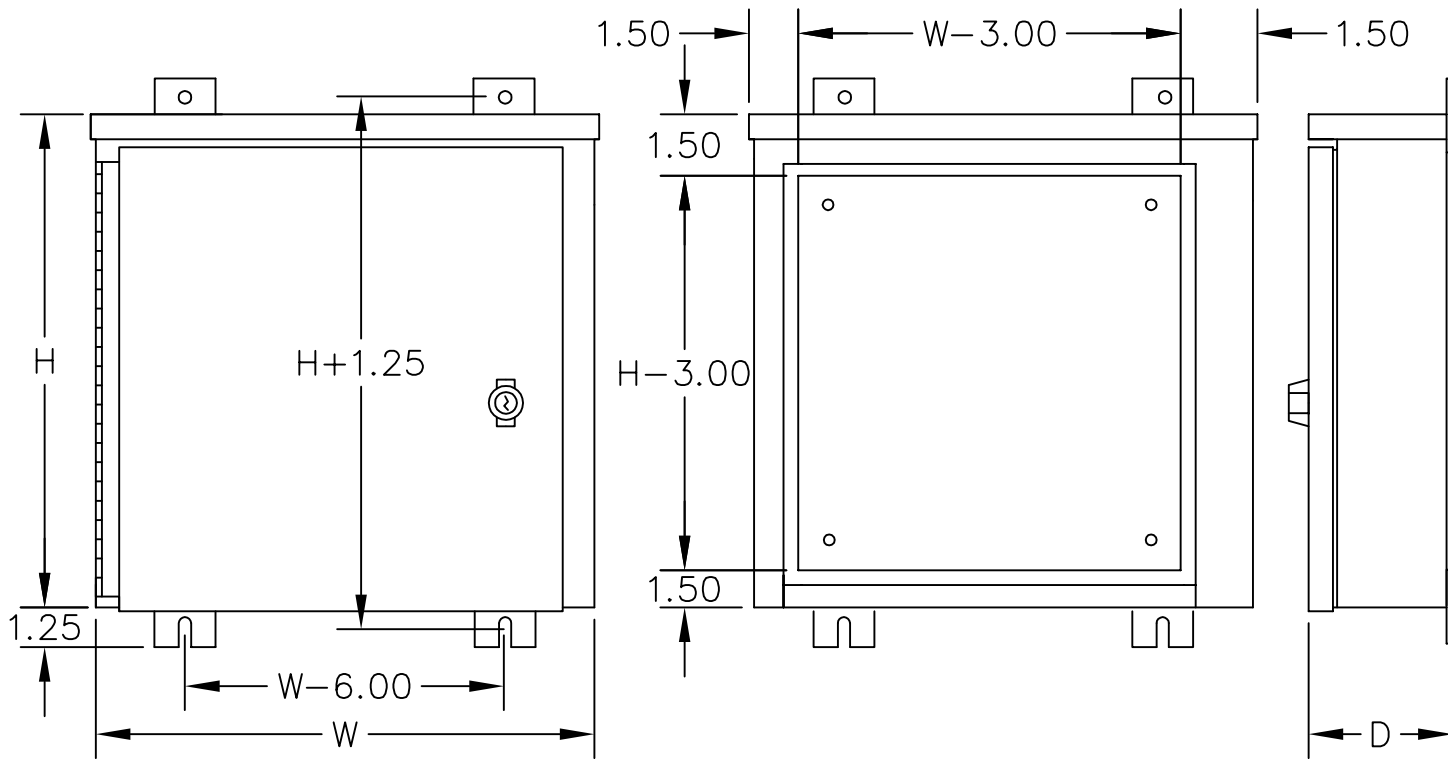
E-BOX
 101 Air Park Industrial Road
 Alabaster, Alabama 35007
 Phone: (205)663-9189
 Fax: (205)663-9587



CATALOG#: RE

UL LISTED

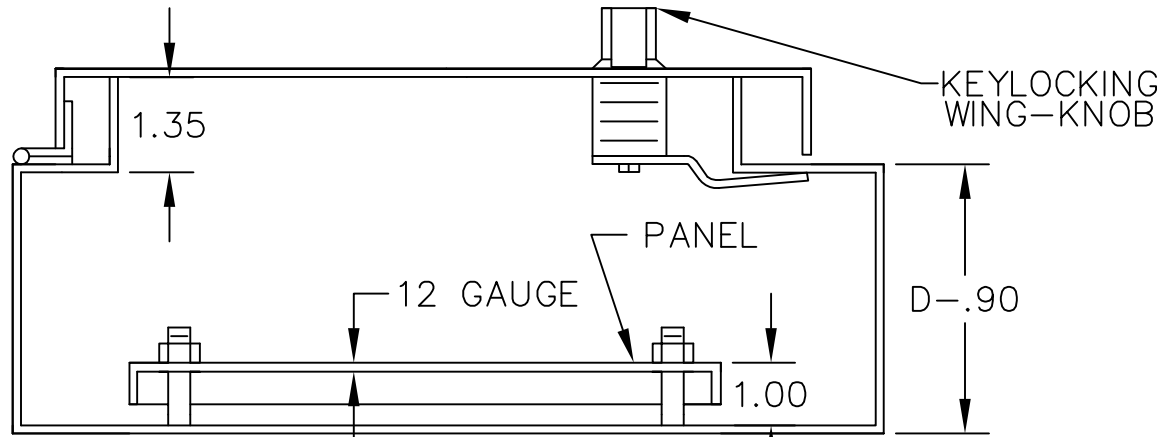
CANADIAN UL LISTED



CONSTRUCTION:
 -14 GAUGE PAINT GRIP GALVANIZED STEEL.
 -DRIP SHIELD TOP, FRONT, AND BACK PROTECT FROM RAIN, SNOW, OR SLEET.
 -CONTINUOUS HINGE.
 -COVER FASTENED SECURELY WITH KEYLOCKING WING-KNOB.
 -STUDS PROVIDED FOR MOUNTING OPTIONAL PANEL

FINISH:
 -ANSI 61 GRAY POLYESTER POWDER COATING INSIDE AND OUT.

H	W	D



TYPE 3R HINGED ENCLOSURES

APPROVAL:



E-BOX
 101 Air Park Industrial Road
 Alabaster, Alabama 35007
 Phone: (205)663-9189
 Fax: (205)663-9587

