

**PLEASE CHECK WWW.MOLEX.COM FOR LATEST PART INFORMATION**

**Part Number:** [1300130202](#)  
**Status:** **Active**  
**Overview:** Brad Mini-Change Connectors  
**Description:** Mini-Change A-Size Receptacle, 3 Poles, 1/2" - 14 NPT Threads, Male (Straight) to 16 AWG Leads, 0.305m (1.0') Length

**Documents:**

[Drawing \(PDF\)](#) [RoHS Certificate of Compliance \(PDF\)](#)

**Agency Certification**

CSA LR6837  
 UL E258922

**General**

Product Family Industrial Receptacles  
 Series [130013](#)  
 IP Rating IP67  
 Overview [Brad Mini-Change Connectors](#)  
 Product Name Mini-Change  
 Type Single Ended (pigtail)  
 UPC 78172553393

**Physical**

Coupling Type External Thread  
 Gender Male  
 Keyway Single  
 Length 0.305m  
 Material - Component Zinc Die-Cast with Black Epoxy  
 Mounting Thread Size 1/2" - 14 NPT  
 Net Weight 49.441/g  
 Orientation Straight  
 Panel Mount N/A  
 Poles 3  
 Temperature Range - Operating -20°C to +105°C  
 Wire Size AWG 16  
 Wire/Cable Type UL 1015

**Electrical**

Current - Maximum per Contact 13.0A  
 Voltage - Maximum 600V AC/DC

**Solder Process Data**

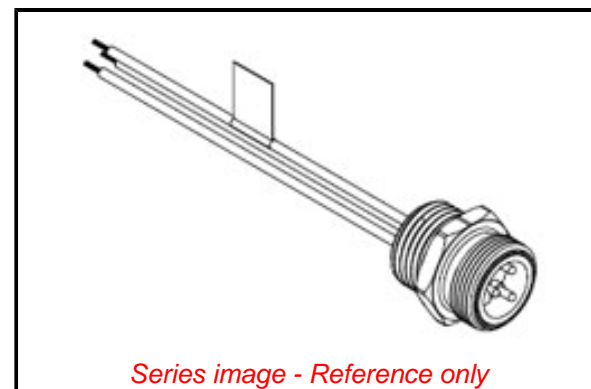
Lead-freeProcess Capability N/A

**Material Info**

Engineering Number 1R3006A20A120

**Reference - Drawing Numbers**

Sales Drawing SD-130013-003, SD-130013-076, SD-130013-120



*Series image - Reference only*

**EU ELV**

**Not Relevant**

**EU RoHS**

**Compliant with Exemption 6(c)**

**REACH SVHC**

Not Contained Per -ED/01/2018 (15 January 2018)

**Halogen-Free**

**Status**

**Not Low-Halogen**

For more information, please visit [Contact US](#)

China ROHS

50 Image

ELV

Not Relevant

RoHS Phthalates

Not Contained

**Search Parts in this Series**

[130013 Series](#)

**PLEASE CHECK WWW.MOLEX.COM FOR LATEST PART INFORMATION**

**Part Number:** [1300130202](#)  
**Status:** **Active**  
**Overview:** Brad Mini-Change Connectors  
**Description:** Mini-Change A-Size Receptacle, 3 Poles, 1/2" - 14 NPT Threads, Male (Straight) to 16 AWG Leads, 0.305m (1.0') Length

**Documents:**

[Drawing \(PDF\)](#) [RoHS Certificate of Compliance \(PDF\)](#)

**Agency Certification**

CSA LR6837  
 UL E258922

**General**

Product Family Industrial Receptacles  
 Series [130013](#)  
 IP Rating IP67  
 Overview [Brad Mini-Change Connectors](#)  
 Product Name Mini-Change  
 Type Single Ended (pigtail)  
 UPC 78172553393

**Physical**

Coupling Type External Thread  
 Gender Male  
 Keyway Single  
 Length 0.305m  
 Material - Component Zinc Die-Cast with Black Epoxy  
 Mounting Thread Size 1/2" - 14 NPT  
 Net Weight 49.441/g  
 Orientation Straight  
 Panel Mount N/A  
 Poles 3  
 Temperature Range - Operating -20°C to +105°C  
 Wire Size AWG 16  
 Wire/Cable Type UL 1015

**Electrical**

Current - Maximum per Contact 13.0A  
 Voltage - Maximum 600V AC/DC

**Solder Process Data**

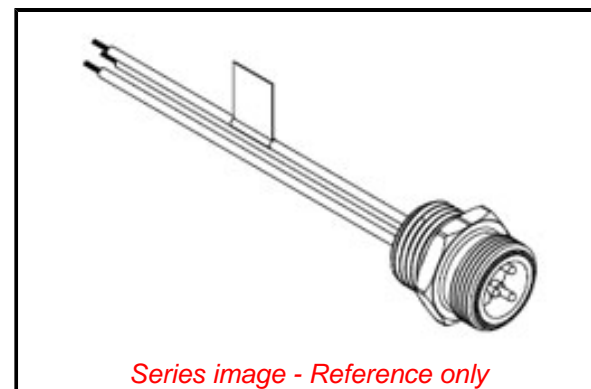
Lead-freeProcess Capability N/A

**Material Info**

Engineering Number 1R3006A20A120

**Reference - Drawing Numbers**

Sales Drawing SD-130013-003, SD-130013-076, SD-130013-120



*Series image - Reference only*

**EU ELV**

**Not Relevant**

**EU RoHS**

**Compliant with Exemption 6(c)**

**REACH SVHC**

Not Contained Per -ED/01/2018 (15 January 2018)

**Halogen-Free**

**Status**

**Not Low-Halogen**

For more information, please visit [Contact US](#)

China ROHS

50 Image

ELV

Not Relevant

RoHS Phthalates

Not Contained

**Search Parts in this Series**

[130013 Series](#)