



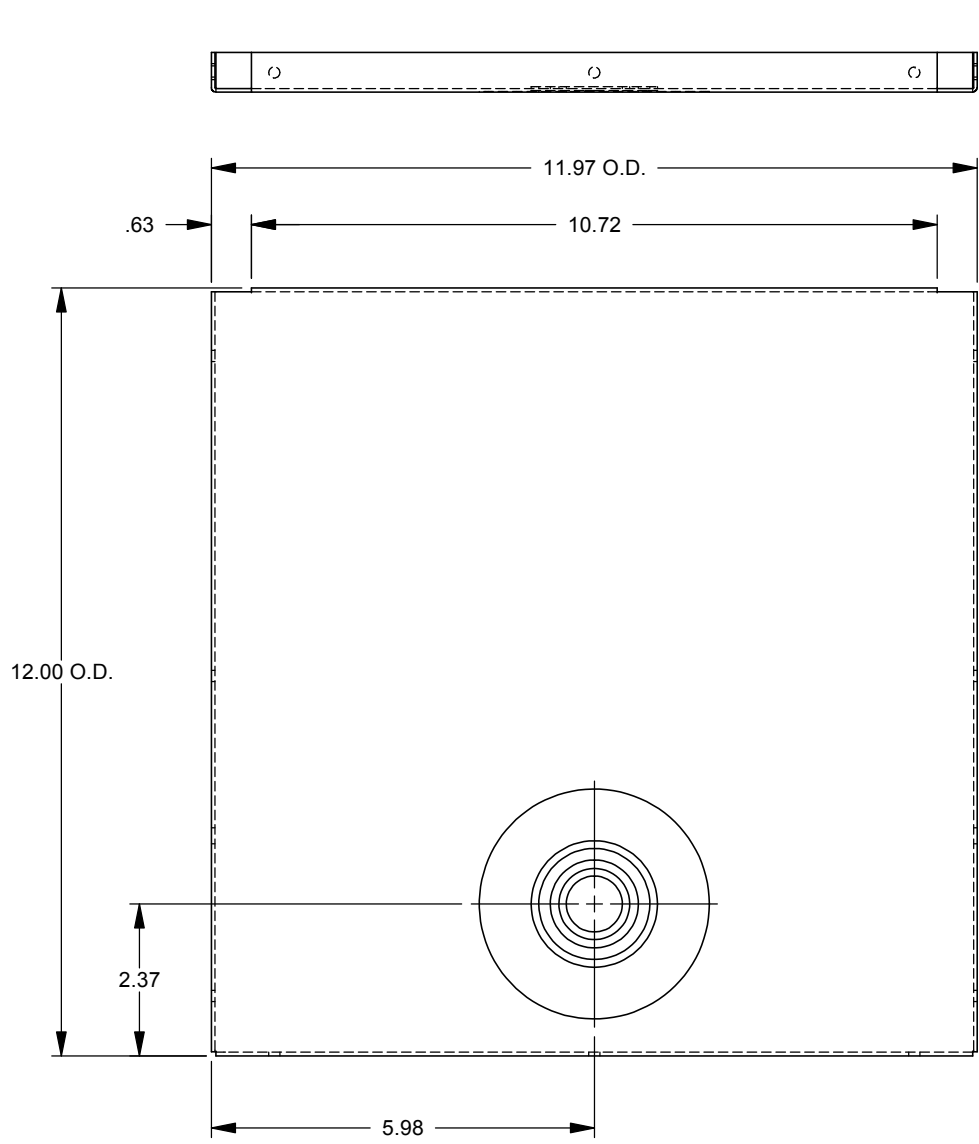
Catalog Number: 1212GE-NK
Item Description: WIREWAY ACCESSORY
UPC Code: 784572101623

Brand Name: Milbank
Type: Wireway End
Application: Wireway Accessory
Standard: UL Listed, Type 1
Cover Type: Screw Cover
Enclosure: Indoor Enclosure
Nominal Cross Section: 12x12
Material: Steel with Powder Coat Finish
Finish: ANSI 61 Gray
Knockouts: False

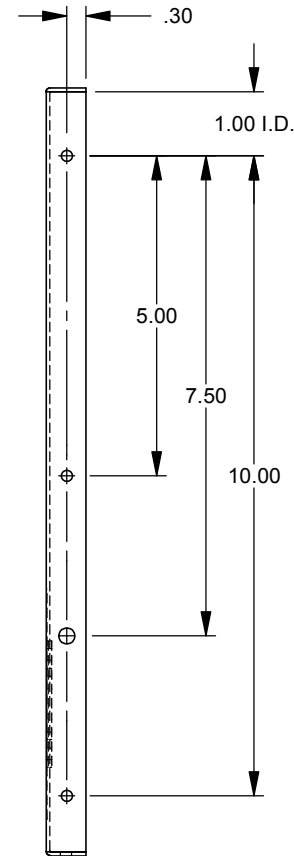


Utility requirements may vary. Always consult the serving utility for their requirements prior to ordering or installing this equipment. This product must always be installed by a licensed electrician. Installation of this equipment may require local electrical inspector approval.

PART NO.	LPN	K.O. QTY	MAT'L.
1103441	811140-SO	1	GALV
1011942	811140-NK	N/A	GALV
1002272	811140-SUNK	N/A	CRS
1002270	811140-SU	1	CRS

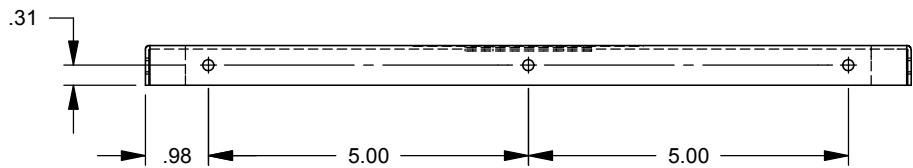


.56 I.D.


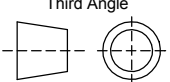


NOTES:

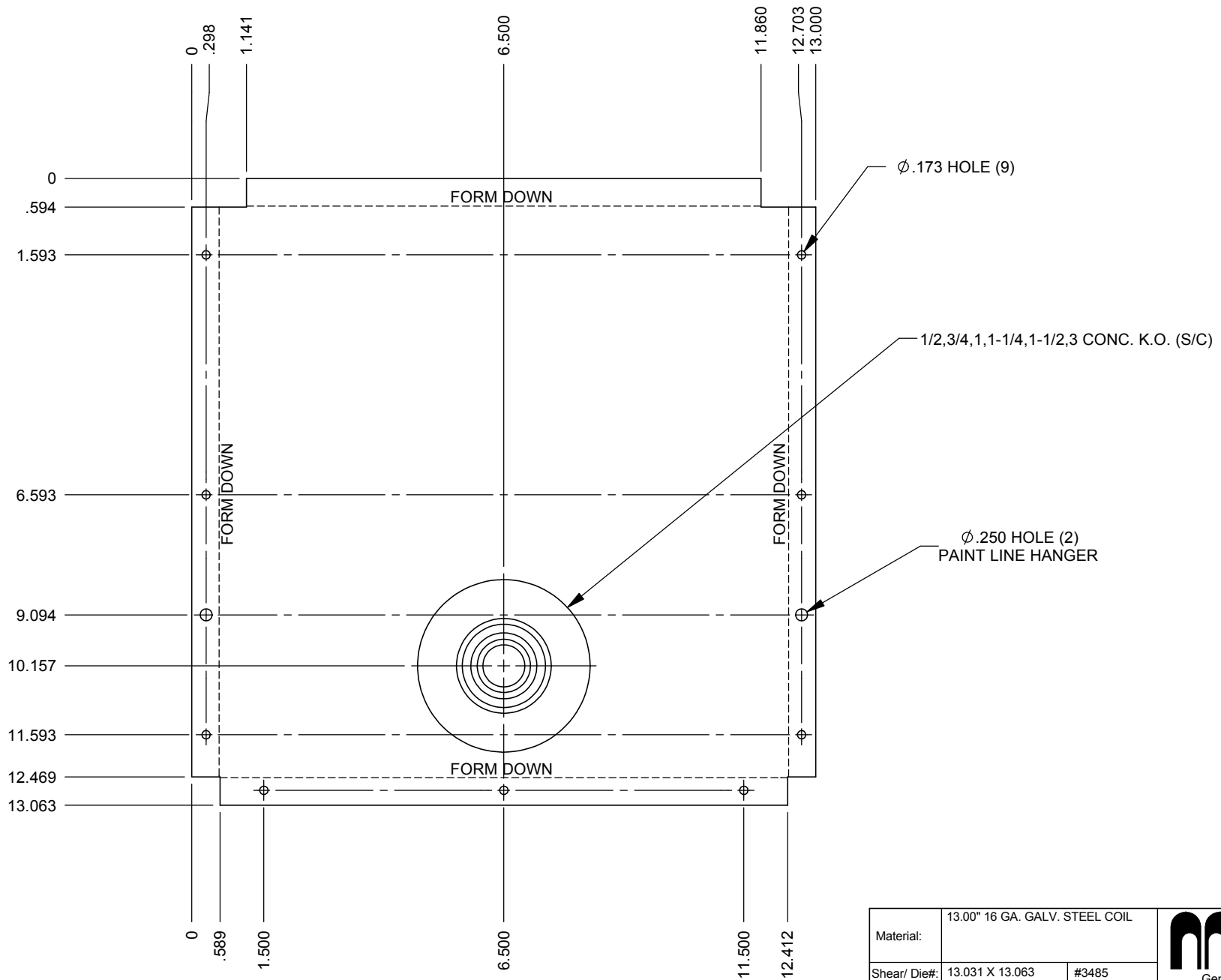
- 1.) WHEN SOLD WITH SUFFIX -SSH PACK WITH (2) #1132855 BAGS OF SCREWS.



LPN: #811140-SO


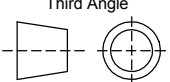
Material:	13.00" STEEL COIL SEE CHART		 General Offices: Kansas City, MO
Shear/ Die#:	13.031 X 13.063	#3485	
Finish:	MILBANK LIGHT GRAY		Title:
Part Wt.:	2.744 LBS. EA.		END COVER 12x12 GSC1 SCREW COVER WIREWAY
Tolerances:		Third Angle	Catalog No.:
Unless Specified Otherwise			Customer:
X.X	±.1		Drawing No.:
X.XX	±.03		1103441
X.XXX	±.015	Scale:	Date:
X*	+2°	NTS	2/9/11
Checked By:		Checked By:	Sheet
Approved By:		Approved By:	1 of 2

REV.	DATE	DESCRIPTION	BY
E1	2/9/11	REDRAW INTO SOLIDWORKS (ECO #20315)	D.F.
F	9/19/14	REV CHART(eECR2925)	SEM



LPN: #811140-SO

REV.	DATE	DESCRIPTION	BY
E1	2/9/11	REDRAW INTO SOLIDWORKS (ECO #20315)	D.F.
F	9/19/14	REV CHART(eECR2925)	SEM

Material:	13.00" 16 GA. GALV. STEEL COIL		 <p>General Offices: Kansas City, MO</p>
Shear/ Die#:	13.031 X 13.063	#3485	
Finish:	MILBANK LIGHT GRAY		
Part Wt.:	2.744 LBS. EA.		Title:
Tolerances: Unless Specified Otherwise X.X ±.1 X.XX ±.03 X.XXX ±.015 X* ±2*			END COVER 12x12 GSC1 SCREW COVER WIREWAY
Third Angle 			Catalog No.:
Scale: NTS			1212GE
Checked By:			Customer:
Approved By:			Drawing No.:
Date:			1103441
Date:			2/9/11
Date:			Sheet 2 of 2



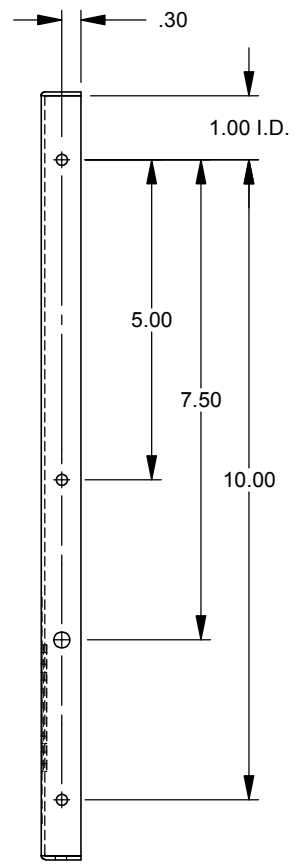
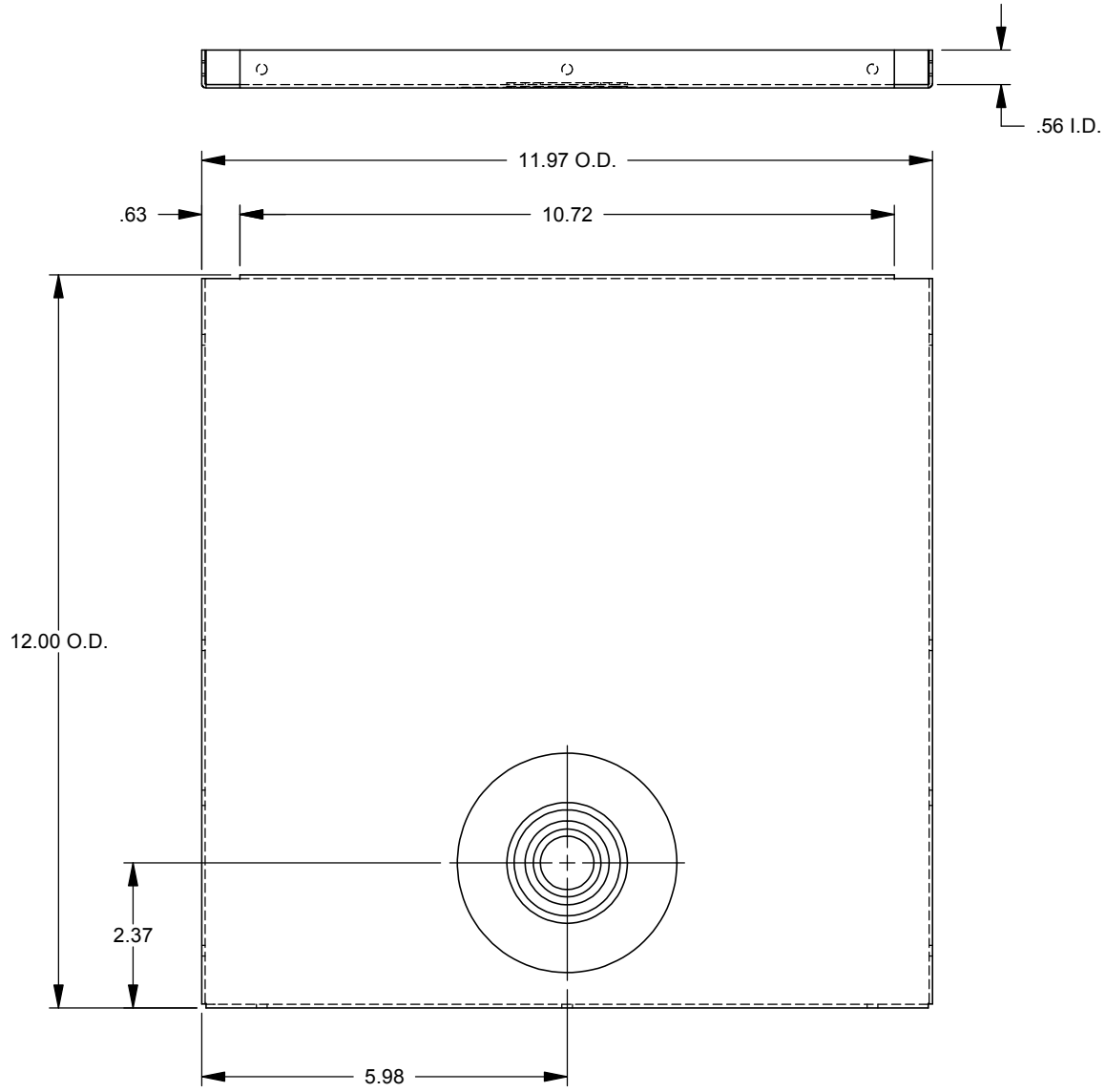
Catalog Number: 1212GE-NK
Item Description: WIREWAY ACCESSORY
UPC Code: 784572101623

Brand Name: Milbank
Type: Wireway End
Application: Wireway Accessory
Standard: UL Listed, Type 1
Cover Type: Screw Cover
Enclosure: Indoor Enclosure
Nominal Cross Section: 12x12
Material: Steel with Powder Coat Finish
Finish: ANSI 61 Gray
Knockouts: False



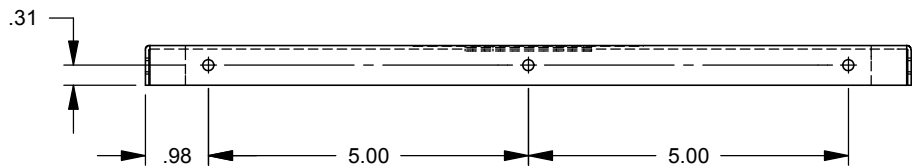
Utility requirements may vary. Always consult the serving utility for their requirements prior to ordering or installing this equipment. This product must always be installed by a licensed electrician. Installation of this equipment may require local electrical inspector approval.

PART NO.	LPN	K.O. QTY	MAT'L.
1103441	811140-SO	1	GALV
1011942	811140-NK	N/A	GALV
1002272	811140-SUNK	N/A	CRS
1002270	811140-SU	1	CRS


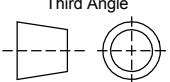


NOTES:

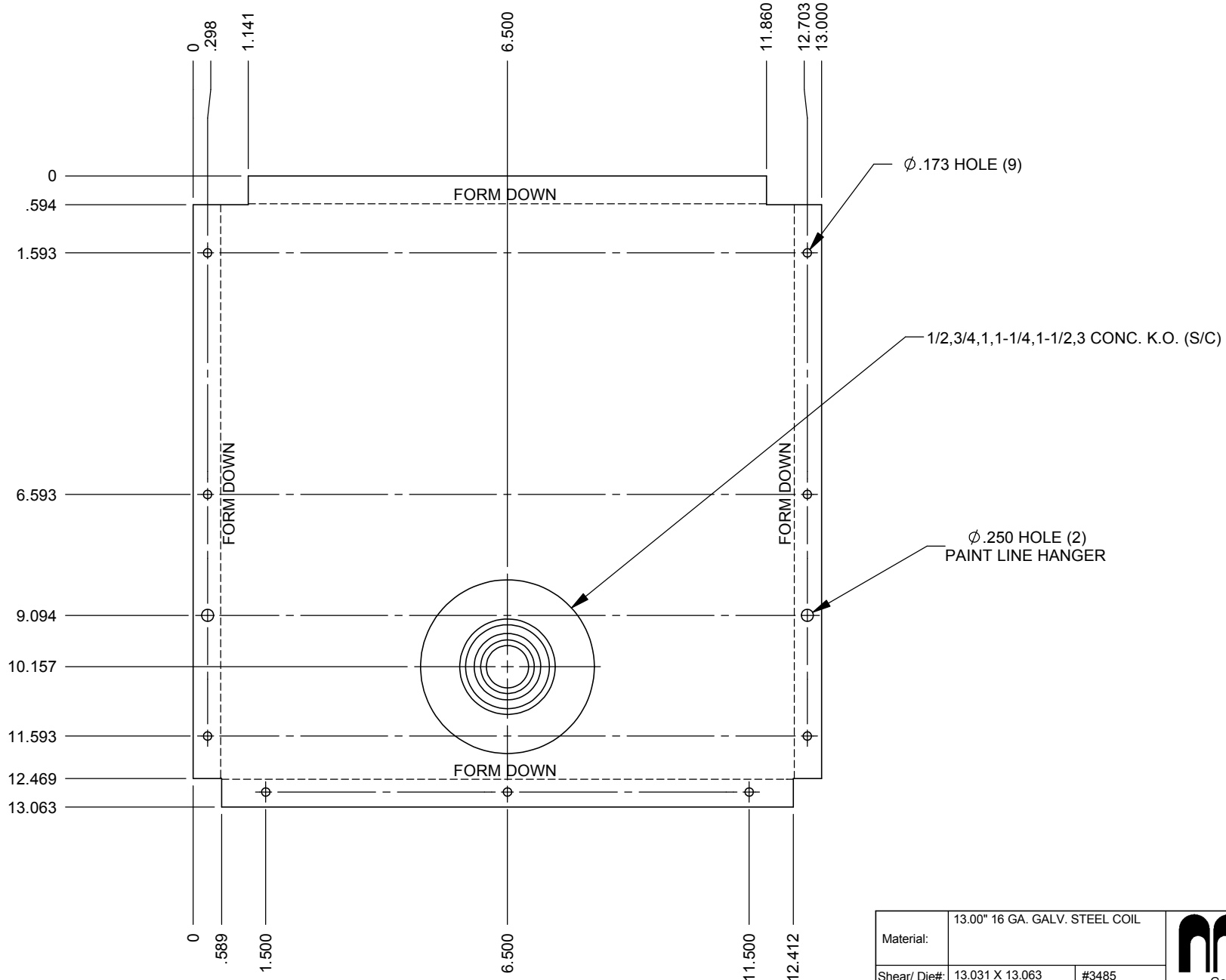
- 1.) WHEN SOLD WITH SUFFIX -SSH PACK WITH (2) #1132855 BAGS OF SCREWS.



LPN: #811140-SO


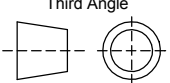
Material:	13.00" STEEL COIL SEE CHART		 General Offices: Kansas City, MO	
Shear/ Die#:	13.031 X 13.063	#3485		
Finish:	MILBANK LIGHT GRAY		Title:	END COVER 12x12 GSC1 SCREW COVER WIREWAY
Part Wt.:	2.744 LBS. EA.		Catalog No.:	1212GE
Tolerances:		Third Angle 	Customer:	
Unless Specified Otherwise X.X ±.1 X.XX ±.03 X.XXX ±.015 X* ±2°			Drawing No.:	1103441
Scale:	NTS	Checked By:	Date:	2/9/11
Drawn By:	D.F.	Approved By:	Sheet	1 of 2

REV.	DATE	DESCRIPTION	BY
E1	2/9/11	REDRAW INTO SOLIDWORKS (ECO #20315)	D.F.
F	9/19/14	REV CHART(eECR2925)	SEM



LPN: #811140-SO

REV.	DATE	DESCRIPTION	BY
E1	2/9/11	REDRAW INTO SOLIDWORKS (ECO #20315)	D.F.
F	9/19/14	REV CHART(eECR2925)	SEM

Material:	13.00" 16 GA. GALV. STEEL COIL		 General Offices: Kansas City, MO
Shear/ Die#:	13.031 X 13.063	#3485	
Finish:	MILBANK LIGHT GRAY		
Part Wt.:	2.744 LBS. EA.		Title:
Tolerances: Unless Specified Otherwise X.X ±.1 X.XX ±.03 X.XXX ±.015 X* ±2*			END COVER 12x12 GSC1 SCREW COVER WIREWAY
Third Angle 			Catalog No.:
Scale:	NTS	Checked By:	1212GE
Drawn By:	D.F.	Approved By:	Customer:
Date:	2/9/11	Sheet	2 of 2

1103441