



MILBANK[®]
ENERGY AT WORK



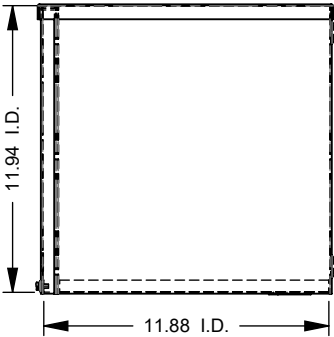
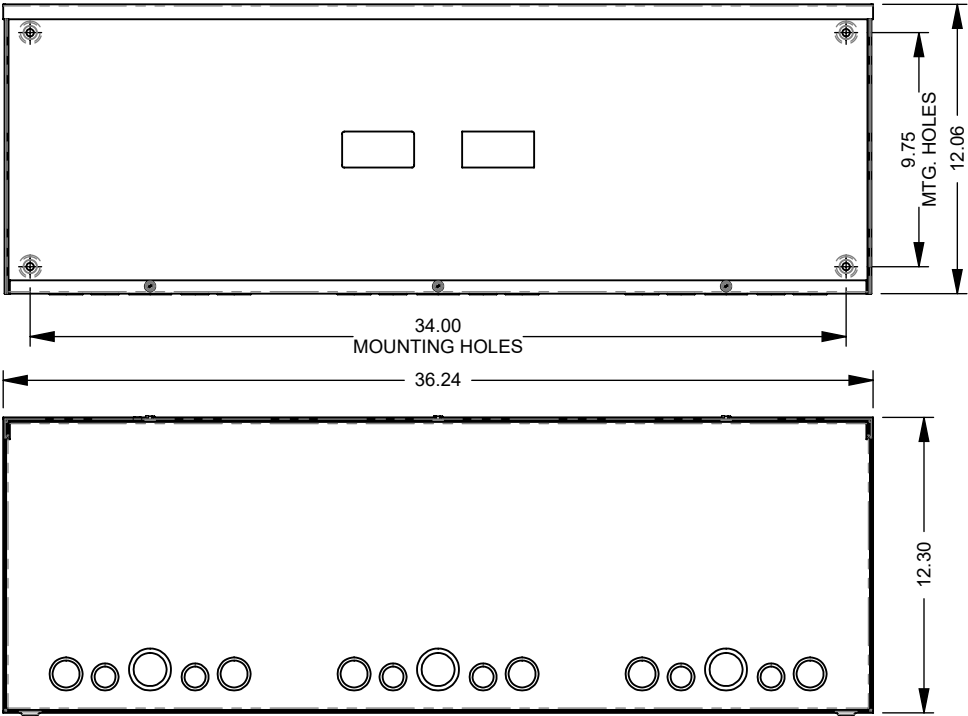
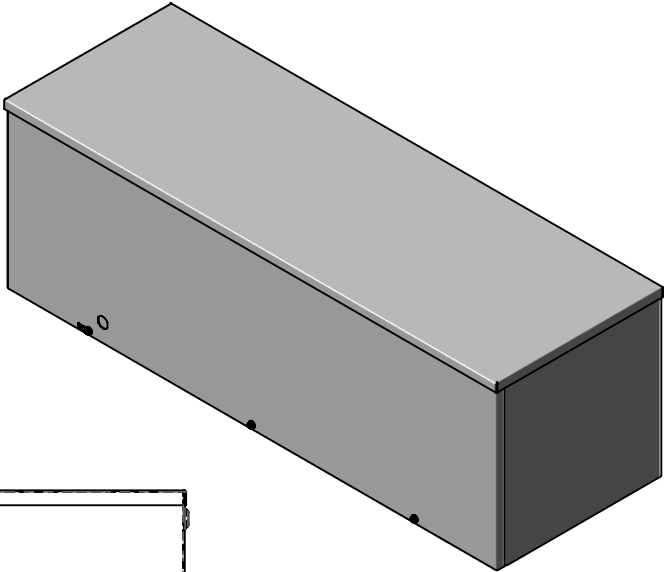
121236-GSC3R-NK

| | |
|-------------------------------|---|
| Catalog Number | 121236-GSC3R-NK |
| Marketing Product Description | 12x36x12 Screw Cover Wireway Type 3R UL Listed Steel No Knockouts ANSI 61 Gray Quad D Knockout For Lock |
| UPC | 784572101098 |
| Length (IN) | 36 |
| Width (IN) | 12 |
| Height (IN) | 12 |
| Weight (LB) | 43 |
| Brand Name | Milbank |
| Type | Wiring Trough |
| Special Features | Key Locking Cylinder Latch Provision |
| Application | Wireway |
| Standard | UL Listed |
| Cover Type | Screw Cover |
| Enclosure | Outdoor Enclosure |
| Nominal Cross Section | 12x12 |
| Straight Section Length | 36 |
| Material | G90 Galvanized Steel |
| Finish | ANSI 61 Gray Powder Coat Finish |
| Knockouts | False |

NEMA Rating

Type 3R

Please consult serving utility for their requirements prior to ordering or installing, as specifications and approvals vary by utility and may require local electrical inspector approval. All installations must be installed by a licensed electrician and must comply with all national and local codes, laws and regulations. Milbank reserves the right to make changes in specifications and features shown without notice or obligation.



MILBANK
ENERGY AT WORK

Version:

1

**All dimensions are +/- 1/16".
Drawing views are not to scale.**

Please consult serving utility for their requirements prior to ordering or installing, as specifications and approvals vary by utility, and may require local electrical inspector approval. All installations must be installed by a licensed electrician and must comply with all national and local codes, laws and regulations. Milbank reserves the right to make changes in specifications and features shown without notice or obligation.



MILBANK[®]
ENERGY AT WORK



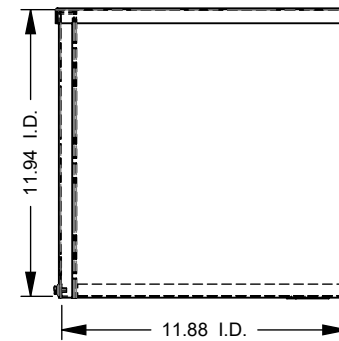
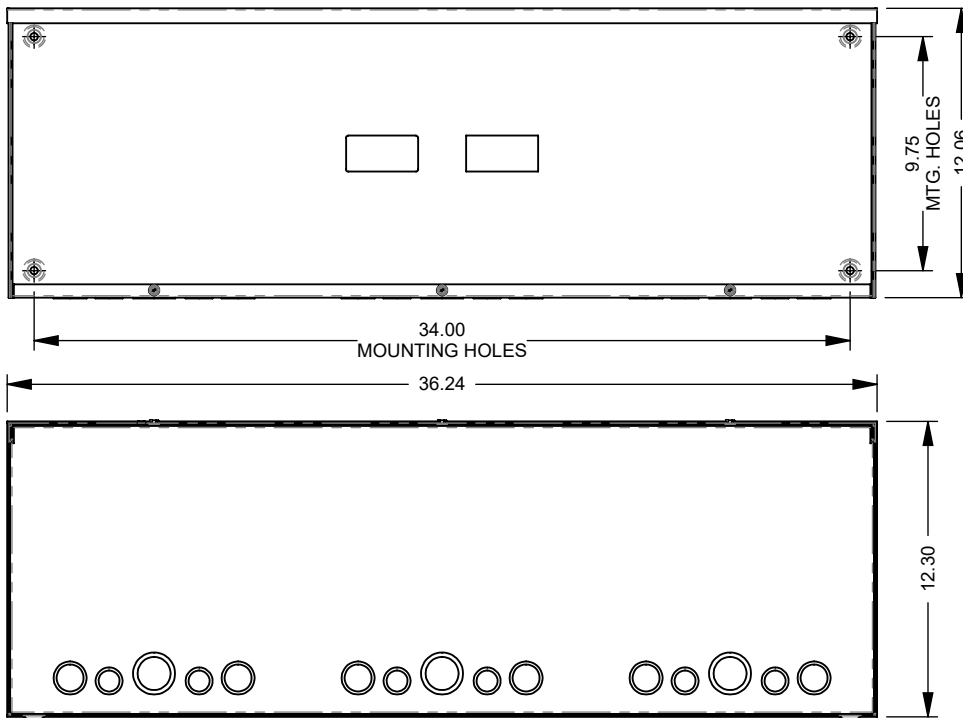
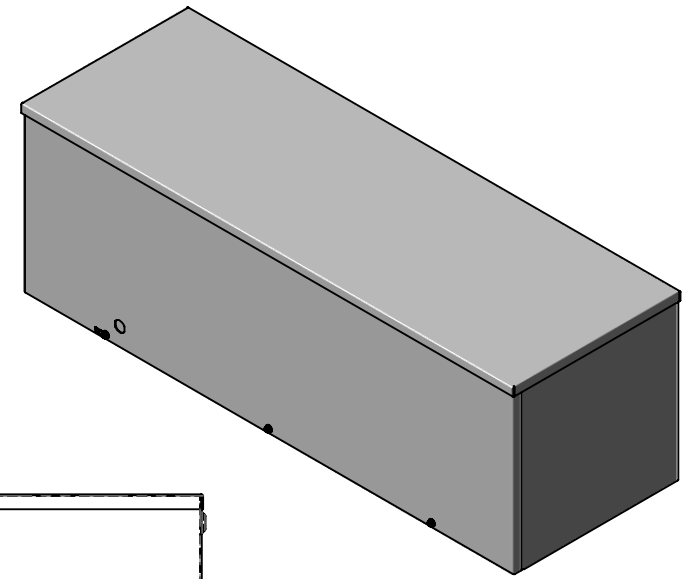
121236-GSC3R-NK

| | |
|-------------------------------|---|
| Catalog Number | 121236-GSC3R-NK |
| Marketing Product Description | 12x36x12 Screw Cover Wireway Type 3R UL Listed Steel No Knockouts ANSI 61 Gray Quad D Knockout For Lock |
| UPC | 784572101098 |
| Length (IN) | 36 |
| Width (IN) | 12 |
| Height (IN) | 12 |
| Weight (LB) | 43 |
| Brand Name | Milbank |
| Type | Wiring Trough |
| Special Features | Key Locking Cylinder Latch Provision |
| Application | Wireway |
| Standard | UL Listed |
| Cover Type | Screw Cover |
| Enclosure | Outdoor Enclosure |
| Nominal Cross Section | 12x12 |
| Straight Section Length | 36 |
| Material | G90 Galvanized Steel |
| Finish | ANSI 61 Gray Powder Coat Finish |
| Knockouts | False |

NEMA Rating

Type 3R

Please consult serving utility for their requirements prior to ordering or installing, as specifications and approvals vary by utility and may require local electrical inspector approval. All installations must be installed by a licensed electrician and must comply with all national and local codes, laws and regulations. Milbank reserves the right to make changes in specifications and features shown without notice or obligation.



Version:

1

All dimensions are +/- 1/16".
Drawing views are not to scale.

Please consult serving utility for their requirements prior to ordering or installing, as specifications and approvals vary by utility, and may require local electrical inspector approval. All installations must be installed by a licensed electrician and must comply with all national and local codes, laws and regulations. Milbank reserves the right to make changes in specifications and features shown without notice or obligation.