



Catalog Number: 121236-GSC1-NK
Item Description: N1 SCREW CVR GUTTER NK
UPC Code: 784572101074

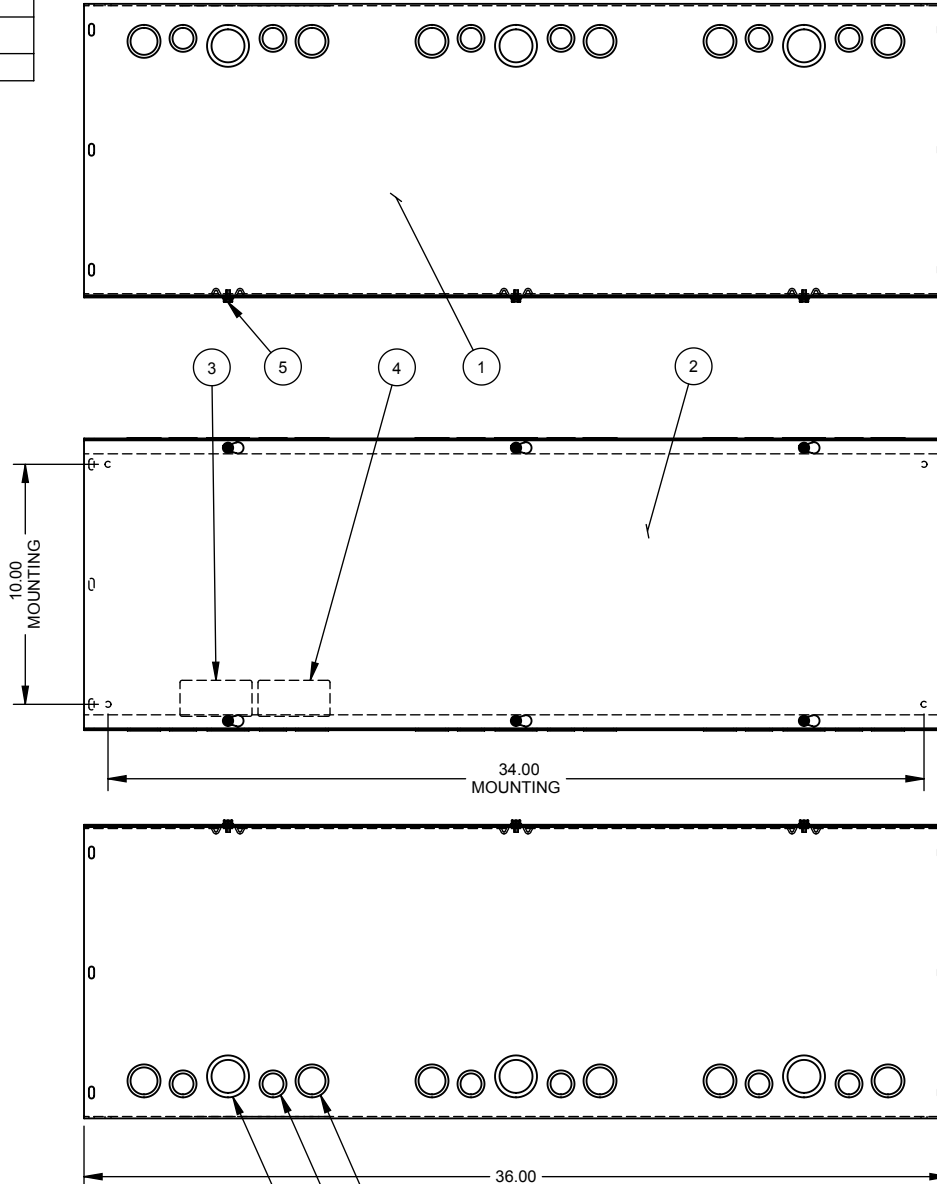
Brand Name: Milbank
Type: Lay In Wireway
Application: Wireway
Standard: UL Listed, Type 1
Cover Type: Screw Cover
Enclosure: Indoor Enclosure
Nominal Cross Section: 12x12
Straight Section Length: 36
Material: Steel with Powder Coat Finish
Finish: ANSI 61 Gray
Knockouts: False



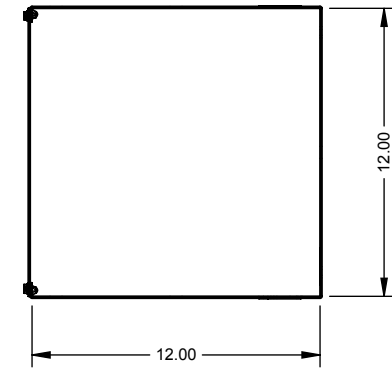
Utility requirements may vary. Always consult the serving utility for their requirements prior to ordering or installing this equipment. This product must always be installed by a licensed electrician. Installation of this equipment may require local electrical inspector approval.

CATALOG#	LABEL#
121236-GSC1(-)	1002943
RC-121236-GSC1(-)	1125051
SPS-12123N	1132575

NO.	QTY.	PART NO.	DESCRIPTION
1	1	(SEE CHART)	BACK
2	1	(SEE CHART)	PLATE/COVER
3	1	(SEE CHART)	UL LABEL, WIREWAY
4	1	1002923	LABEL, RATING
5	6	1001290	SCREW, 10-32 X 5/16
6	3	1002880	BAG ASSY (NOT SHOWN)



SUFFIX	BACK #	COVER #
-SU	1129281	1011834
-SUC	1129282	1101789
-SO	1001444	1099488
-SUNK	1010704	1011834
-NK	1099489	1099488
-SUNKC	1129283	1101789




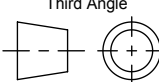
SUFFIX	FINISH
NONE	PAINTED
-NP	NOT PAINTED

NOTE:
1. PLACE BAG ASS'Y INSIDE ENCLOSURE. (NOT SHOWN)

- 3/4, 1 CONC. K.O.
12 PL
- 1/2, 3/4 CONC. K.O.
12 PL
- 1, 1-1/4 CONC. K.O.
6 PL

NEMA DWG.: #264

REV.	DATE	DESCRIPTION	BY
C1	4/25/08	ADDED CHART & REMOVED NOTE #2 (ECO.17139)	JLT
D	6/3/09	1001290 QTY WAS 4; 1002880 QTY WAS 5 (ECO #18349)	D.F.
D1	1/21/13	RENAME DRAWING (ECO #23441)	D.F.

Material:	14 GA. - SEE CHART	 <p>General Offices: Kansas City, MO</p>	
Shear/ Die#:			
Finish:	SEE CHART	Title:	SCREW COVER WIREWAY 12 x 12 x 36, TYPE 1 NEMA ENCLOSURE
Part Wt.:		Catalog No.:	(SEE CHART)
Tolerances: Unless Specified Otherwise X.X ±.1 X.XX ±.03 X.XXX ±.015 X" ±2"		Customer:	MILBANK STANDARD
Third Angle 		Drawing No.:	1001591
Scale:	NTS	Date:	03/19/02
Checked By:		Sheet	1 of 1
Drawn By:	DY	Approved By:	



Catalog Number: 121236-GSC1-NK
Item Description: N1 SCREW CVR GUTTER NK
UPC Code: 784572101074

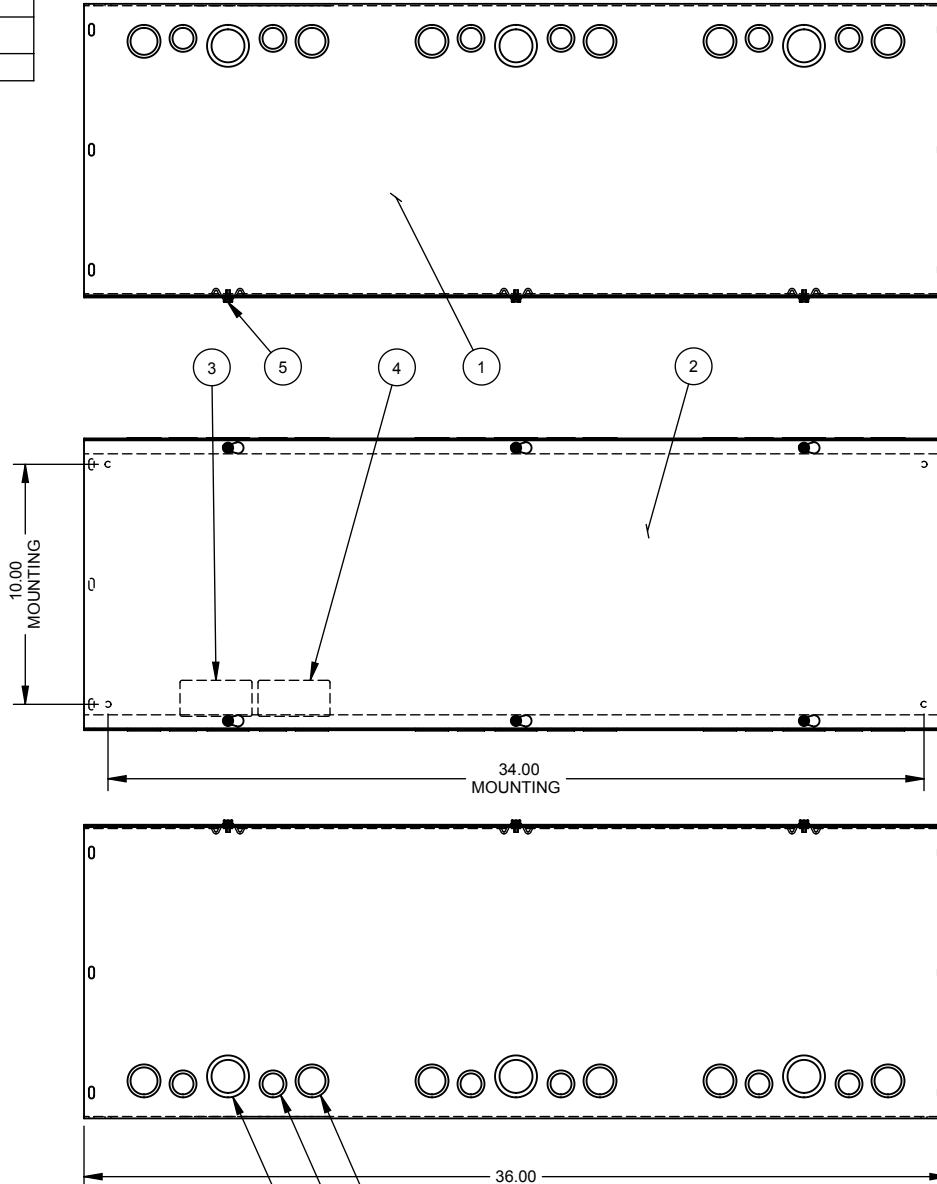
Brand Name: Milbank
Type: Lay In Wireway
Application: Wireway
Standard: UL Listed, Type 1
Cover Type: Screw Cover
Enclosure: Indoor Enclosure
Nominal Cross Section: 12x12
Straight Section Length: 36
Material: Steel with Powder Coat Finish
Finish: ANSI 61 Gray
Knockouts: False



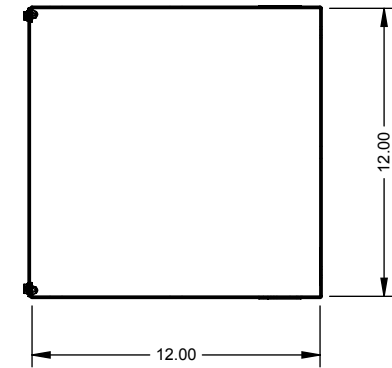
Utility requirements may vary. Always consult the serving utility for their requirements prior to ordering or installing this equipment. This product must always be installed by a licensed electrician. Installation of this equipment may require local electrical inspector approval.

CATALOG#	LABEL#
121236-GSC1(-)	1002943
RC-121236-GSC1(-)	1125051
SPS-12123N	1132575

NO.	QTY.	PART NO.	DESCRIPTION
1	1	(SEE CHART)	BACK
2	1	(SEE CHART)	PLATE/COVER
3	1	(SEE CHART)	UL LABEL, WIREWAY
4	1	1002923	LABEL, RATING
5	6	1001290	SCREW, 10-32 X 5/16
6	3	1002880	BAG ASSY (NOT SHOWN)



SUFFIX	BACK #	COVER #
-SU	1129281	1011834
-SUC	1129282	1101789
-SO	1001444	1099488
-SUNK	1010704	1011834
-NK	1099489	1099488
-SUNKC	1129283	1101789




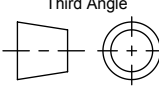
SUFFIX	FINISH
NONE	PAINTED
-NP	NOT PAINTED

NOTE:
1. PLACE BAG ASS'Y INSIDE ENCLOSURE. (NOT SHOWN)

- 3/4, 1 CONC. K.O.
12 PL
- 1/2, 3/4 CONC. K.O.
12 PL
- 1, 1-1/4 CONC. K.O.
6 PL

NEMA DWG.: #264

REV.	DATE	DESCRIPTION	BY
C1	4/25/08	ADDED CHART & REMOVED NOTE #2 (ECO.17139)	JLT
D	6/3/09	1001290 QTY WAS 4; 1002880 QTY WAS 5 (ECO #18349)	D.F.
D1	1/21/13	RENAME DRAWING (ECO #23441)	D.F.

Material:	14 GA. - SEE CHART		 General Offices: Kansas City, MO		
Shear/ Die#:					
Finish:	SEE CHART				
Part Wt.:					
Tolerances:		Third Angle 	Title:	SCREW COVER WIREWAY 12 x 12 x 36, TYPE 1 NEMA ENCLOSURE	
Unless Specified Otherwise X.X ±.1 X.XX ±.03 X.XXX ±.015 X* ±2*			Catalog No.:	(SEE CHART)	
Scale:			NTS	Customer:	MILBANK STANDARD
Checked By:				Drawing No.:	1001591
Drawn By:			DY	Date:	03/19/02
Approved By:				Sheet	1 of 1