



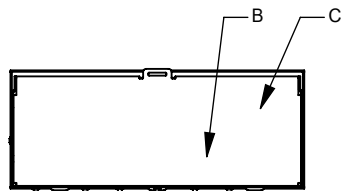
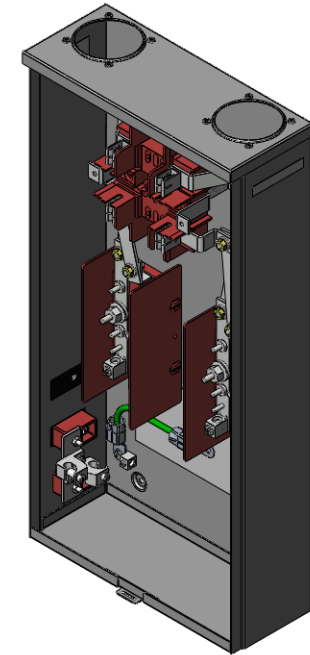
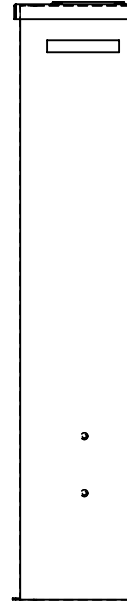
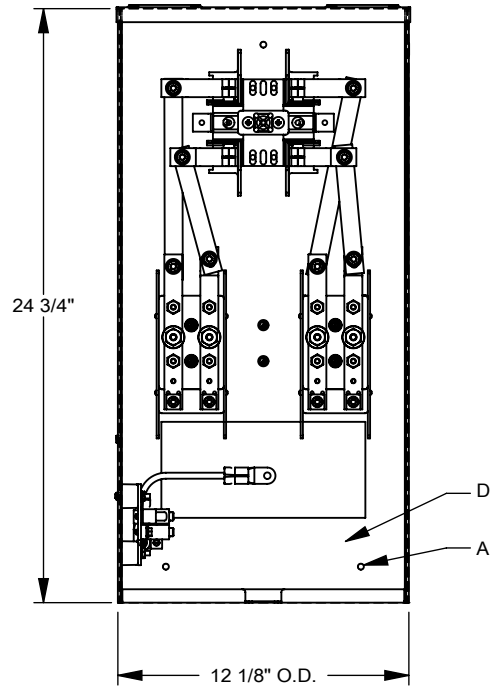
Catalog Number: 114TB  
Item Description: 100A 4T RT OU  
UPC Code: 784572100930

Brand Name: Milbank  
Type: Ring Type Meter Socket  
Application: Meter Socket  
Standard: UL Listed  
Voltage Rating: Up to 600 Volts Alternating Current  
Amperage Rating: 100 Continuous Ampere  
Phase: 1 Phase  
Frequency Rating: 60 Hertz  
Number Of Cutouts: 0  
Cable Entry: Overhead and Underground  
Terminal: Single Mechanical Line Side and Load Side Connector  
Mounting: Surface Mount  
Enclosure: Type 3R, G90 Galvanized Steel with Powder Coat Finish



*Utility requirements may vary. Always consult the serving utility for their requirements prior to ordering or installing this equipment. This product must always be installed by a licensed electrician. Installation of this equipment may require local electrical inspector approval.*

FEATURE TABLE		
ITEM	QTY	DESCRIPTION
A	3	STD. MNTG. EMBOSS
B	1	½ SOLID K.O.
C	2	¾, 1, 1¼, 1½ CONC. K.O.
D	5	1, 1¼, 1½, 2 CONC. K.O.



Version:

1

All dimensions are +/- 1/16".  
Drawing views are not to scale.

Utility requirements for this equipment may vary. Always consult the serving utility for their requirements prior to ordering or installing this equipment. This product must be installed by a licensed electrician. Installation of this equipment may require local electrical inspector approval.



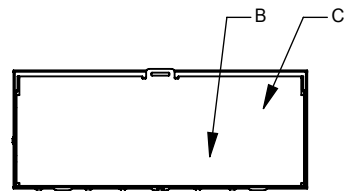
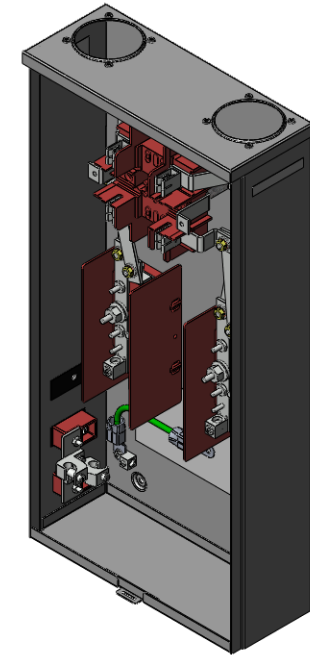
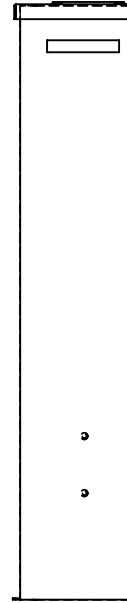
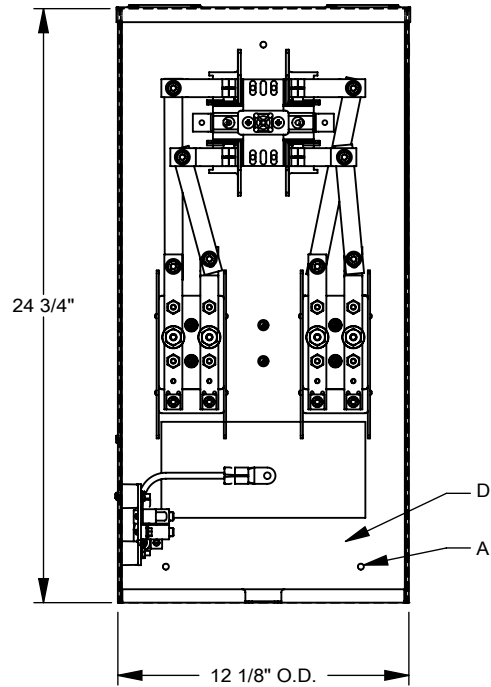
Catalog Number: 114TB  
Item Description: 100A 4T RT OU  
UPC Code: 784572100930

Brand Name: Milbank  
Type: Ring Type Meter Socket  
Application: Meter Socket  
Standard: UL Listed  
Voltage Rating: Up to 600 Volts Alternating Current  
Amperage Rating: 100 Continuous Ampere  
Phase: 1 Phase  
Frequency Rating: 60 Hertz  
Number Of Cutouts: 0  
Cable Entry: Overhead and Underground  
Terminal: Single Mechanical Line Side and Load Side Connector  
Mounting: Surface Mount  
Enclosure: Type 3R, G90 Galvanized Steel with Powder Coat Finish



*Utility requirements may vary. Always consult the serving utility for their requirements prior to ordering or installing this equipment. This product must always be installed by a licensed electrician. Installation of this equipment may require local electrical inspector approval.*

FEATURE TABLE		
ITEM	QTY	DESCRIPTION
A	3	STD. MNTG. EMBOSS
B	1	½ SOLID K.O.
C	2	¾, 1, 1¼, 1½ CONC. K.O.
D	5	1, 1¼, 1½, 2 CONC. K.O.



Version:

1

All dimensions are +/- 1/16".  
Drawing views are not to scale.

Utility requirements for this equipment may vary. Always consult the serving utility for their requirements prior to ordering or installing this equipment. This product must be installed by a licensed electrician. Installation of this equipment may require local electrical inspector approval.