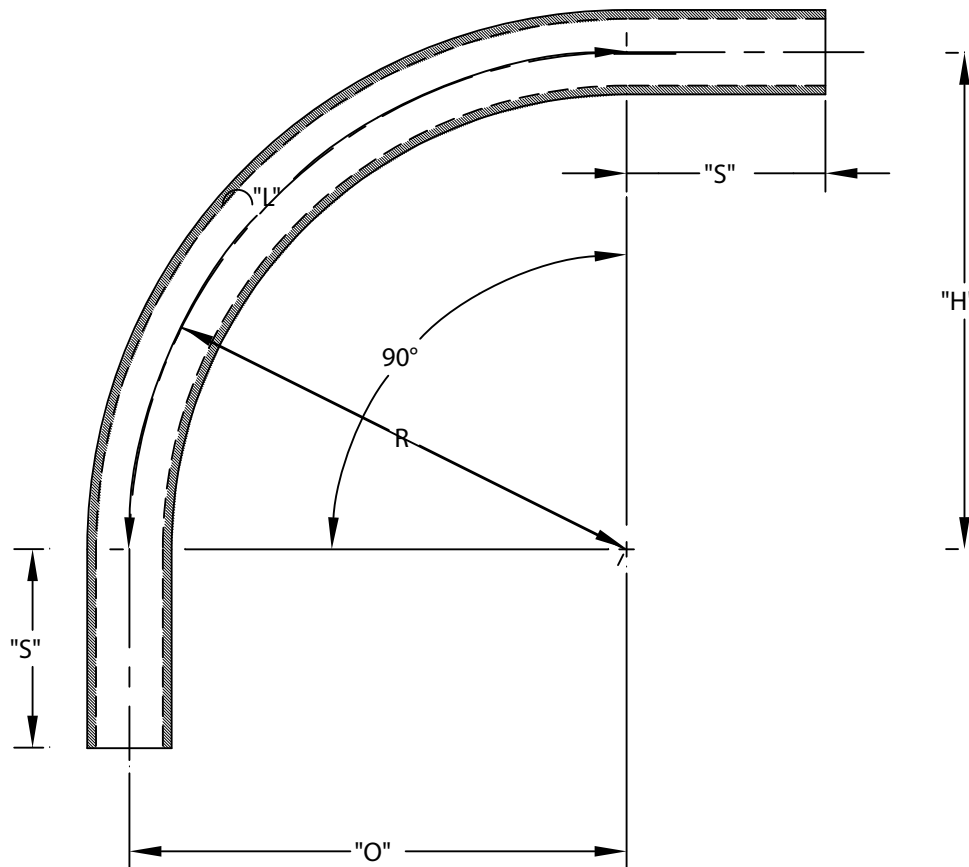


| PART NUMBER | SIZE | "R" | "O" | "H" | "S" MIN | "B" MIN | "L" |
|-------------|---------|-----|-----|-----|---------|---------|---------|
| 5133934 | 3/4" | 24" | 24" | 24" | 1 1/2 " | N/A | 37 3/4" |
| 5133859 | 1" | 24" | 24" | 24" | 1 7/8 " | N/A | 37 3/4" |
| 5133883 | 1 1/4 " | 24" | 24" | 24" | 2" | N/A | 37 3/4" |
| 5133873 | 1 1/2 " | 24" | 24" | 24" | 2" | N/A | 37 3/4" |
| 5133836 | 2" | 24" | 24" | 24" | 2" | N/A | 37 3/4" |
| 5133847 | 2 1/2 " | 24" | 24" | 24" | 3" | N/A | 37 3/4" |
| 5133837 | 3" | 24" | 24" | 24" | 3 1/8 " | N/A | 37 3/4" |
| 5133893 | 3 1/2 " | 24" | 24" | 24" | 3 1/4 " | N/A | 37 3/4" |
| 5133822 | 4" | 24" | 24" | 24" | 3 3/8 " | N/A | 37 3/4" |



ETL LISTED
 CONFORMS TO UL651
 ETL CONTROL #3107144
 CONFORMS TO NEMA TC3
 SEE NEC ARTICLE 352 FOR USE
 MATERIAL IS RIGID PVC
 BEND TOLERANCE IS $\pm 2^\circ$



CANTEX
 INC.
 Fort Worth, TEXAS

90° Elbows Plain End
 Schedule 40 24" Radius Elbows

Drawn By: CD Branch

Date: 10/15/07

Ref.