



# Deco Series Lamp Specifications

## SpringLamp® Compact Fluorescent, NPF

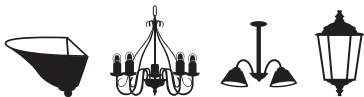
8,000 Hours average rated life

### Applications:

Ideal for decorative fixtures.

### Replaces Incandescent for:

- + Decorative Fixtures
- + Enclosed Outdoor Fixtures
- + Sconces

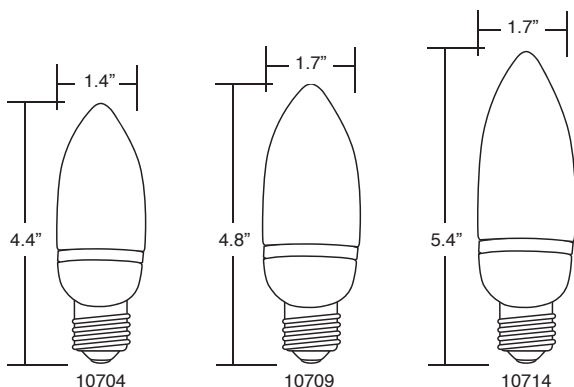


### Special Application Options: (Ordering Suffix)

- 3100K (31K)
- 3500K (35K)
- 4100K (41K)
- 5100K (51K)
- 6500K (65K)

### Features and Benefits

- Long life CFL, 8,000 hour average rated life
- Amalgam technology- provides cooler operating temperatures for consistent performance in any position
- No lead glass- Better lumen maintenance over life of bulb
- 2700°K color temperature closest to incandescent light
- Medium base or candelabra base available
- Replace less often, ideal for hard to reach places
- U.L. Listed for wet locations - use indoors or outdoors
- Quickstart technology - fast run up time



Catalog Number

Notes

Type



### Specifications ( at full brightness )

End of Life Protection.....	Yes
Ballast Type .....	Electronic
Starting Method.....	Modified Rapid Start
Input Line Voltage .....	120VAC
Input Line Frequency .....	50/60HZ
Lamp Life (rated) .....	8,000 Hours
Color Temperature .....	2700°K
Color Rendering Index .....	82
Minimum Starting Temperature .....	-20°F, -29°C
Maximum Operating Temperature .....	160°F, 71°C
U.L. / C.U.L. Listed .....	Yes – E149698
FCC Compliance .....	Part 18, Subpart C
Lamp Operating Frequency .....	45 KHZ
Max. Open Circuit Voltage .....	600V
Lamp Current Crest Factor .....	<1.60
Total Harmonic Distortion .....	<33%
High Power Factor Rated .....	>.90

### Special Application Notes

- UL approved for wet location in Base Up position only. Base Up position is defined as screw base in a 12:00 position. Any other base position must be in a UL approved weatherproof fixture.

Warranties and Certifications:	Item #	Description	Wattage	Incandescent Wattage Comparison	Initial Lumens	Input Line Current	M.O.L. (inches)	Diameter (inches)	Base Type	Life vs. Incandescent
 <b>12 MONTH WARRANTY</b> For the most up-to-date specs, please visit <a href="http://www.tcpi.com">www.tcpi.com</a>	★ 10704	Deco, Medium	4	15	195	.07A	4.4	1.4	E26	5X
	★ 10704C	Deco, Candelabra	4	15	195	.07A	4.4	1.4	E12	5X
	★ 10709	Deco, Medium	9	40	425	.16A	4.8	1.7	E26	5X
	★ 10709C	Deco, Candelabra	9	40	425	.16A	4.8	1.7	E12	5X
	★ 10714	Deco, Medium	14	60	720	.20A	5.4	1.7	E26	5X
	★ 10714C	Deco, Candelabra	14	60	720	.20A	5.4	1.7	E12	5X

★ ENERGY STAR®





# Deco Series Lamp Specifications

## SpringLamp® Compact Fluorescent, NPF

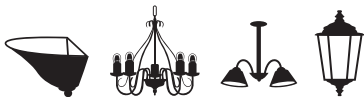
8,000 Hours average rated life

### Applications:

Ideal for decorative fixtures.

### Replaces Incandescent for:

- + Decorative Fixtures
- + Enclosed Outdoor Fixtures
- + Sconces

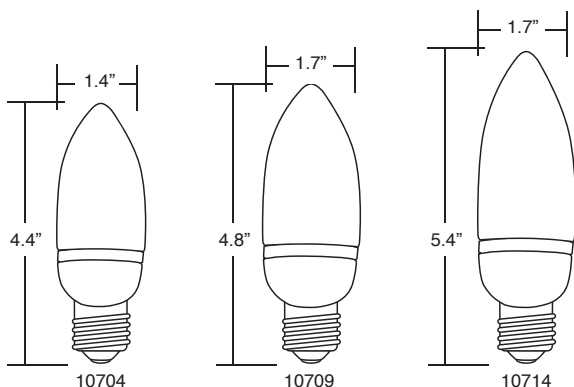


### Special Application Options: (Ordering Suffix)

- 3100K (31K)
- 3500K (35K)
- 4100K (41K)
- 5100K (51K)
- 6500K (65K)

### Features and Benefits

- Long life CFL, 8,000 hour average rated life
- Amalgam technology- provides cooler operating temperatures for consistent performance in any position
- No lead glass- Better lumen maintenance over life of bulb
- 2700°K color temperature closest to incandescent light
- Medium base or candelabra base available
- Replace less often, ideal for hard to reach places
- U.L. Listed for wet locations - use indoors or outdoors
- Quickstart technology - fast run up time



Catalog Number

Notes

Type



### Specifications ( at full brightness )

End of Life Protection.....	Yes
Ballast Type .....	Electronic
Starting Method.....	Modified Rapid Start
Input Line Voltage .....	120VAC
Input Line Frequency .....	50/60HZ
Lamp Life (rated) .....	8,000 Hours
Color Temperature .....	2700°K
Color Rendering Index .....	82
Minimum Starting Temperature .....	-20°F, -29°C
Maximum Operating Temperature .....	160°F, 71°C
U.L. / C.U.L. Listed .....	Yes – E149698
FCC Compliance .....	Part 18, Subpart C
Lamp Operating Frequency .....	45 KHZ
Max. Open Circuit Voltage .....	600V
Lamp Current Crest Factor .....	<1.60
Total Harmonic Distortion .....	<33%
High Power Factor Rated .....	>.90

### Special Application Notes

- UL approved for wet location in Base Up position only. Base Up position is defined as screw base in a 12:00 position. Any other base position must be in a UL approved weatherproof fixture.

Warranties and Certifications:	Item #	Description	Wattage	Incandescent Wattage Comparison	Initial Lumens	Input Line Current	M.O.L. (inches)	Diameter (inches)	Base Type	Life vs. Incandescent
 <b>12 MONTH WARRANTY</b> For the most up-to-date specs, please visit <a href="http://www.tcp.com">www.tcp.com</a>	★ 10704	Deco, Medium	4	15	195	.07A	4.4	1.4	E26	5X
	★ 10704C	Deco, Candelabra	4	15	195	.07A	4.4	1.4	E12	5X
	★ 10709	Deco, Medium	9	40	425	.16A	4.8	1.7	E26	5X
	★ 10709C	Deco, Candelabra	9	40	425	.16A	4.8	1.7	E12	5X
	★ 10714	Deco, Medium	14	60	720	.20A	5.4	1.7	E26	5X
	★ 10714C	Deco, Candelabra	14	60	720	.20A	5.4	1.7	E12	5X

★ ENERGY STAR®

