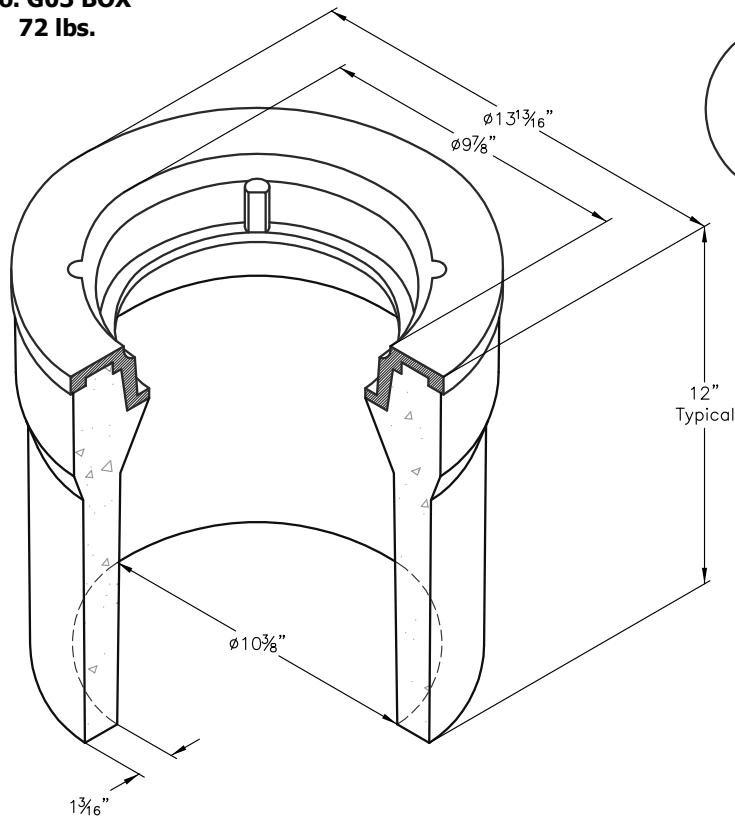
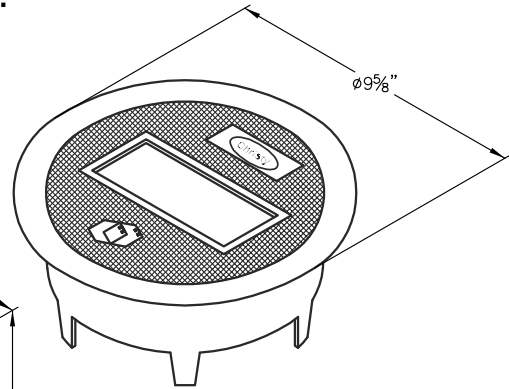


● Traffic Box is H/20 rated

**Traffic Valve Box  
No. G03 BOX  
72 lbs.**



**Cast Iron Lid  
No. G03C  
14 lbs.**



A high density reinforced concrete box with cast iron ring for heavy traffic areas. Engineered and designed to be interchangeable with the Brooks 3RT. Approximate dimensions and weight shown.

Oldcastle Ordering Code	Item	Approx. Shipping Weight	Description
G03BOX	BOX	72 lbs.	G03 Traffic Valve Box (10 3/8" I.D. x 12" high) – Interchangeable with Brooks 3RT Box – 36 per pallet
G03C	LID	14 lbs.	Cast Iron Lid
G05X12	EXTENSION	32 lbs.	12" Reinforced Concrete– 36 per pallet
G05XP8	EXTENSION	1 lbs.	ADS 8" plastic
G05XP12	EXTENSION	1 lbs.	ADS 12" plastic
F08XP18	EXTENSION	2 lbs.	ADS 18" plastic
F14XP120	EXTENSION	11 lbs.	ADS 10' length plastic

 **Oldcastle®** Enclosure Solutions

Phone: (800) 486-7070 Fax: (800) 486-6804  
Copyright© 2011 Oldcastle Precast Inc.

**G03 BOX**

FILE NAME: G03\_ISO

ISSUE DATE: January, 2011

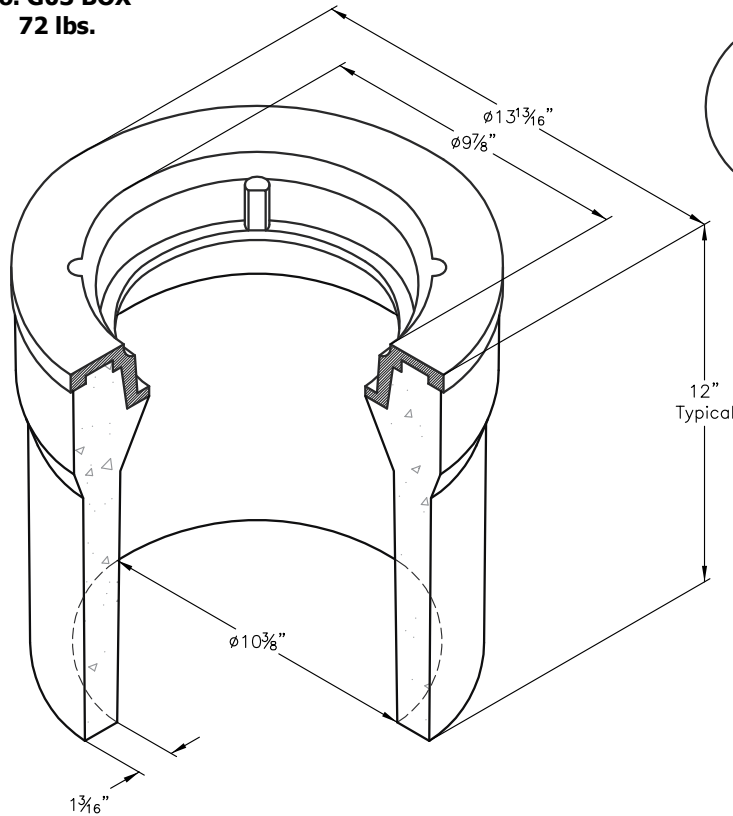
[www.oldcastleprecast.com](http://www.oldcastleprecast.com)

**G03 TRAFFIC VALVE BOX  
10-3/8" I.D. x 12"**

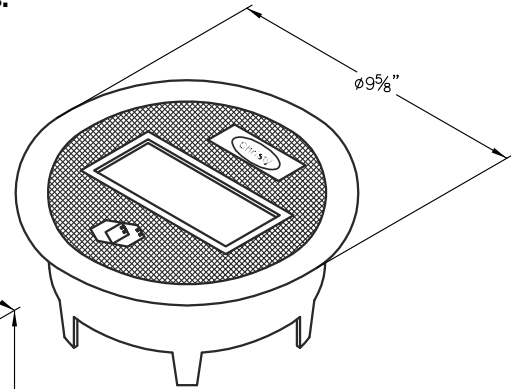
 **CHRISTY**  
Concrete

● Traffic Box is H/20 rated

**Traffic Valve Box  
No. G03 BOX  
72 lbs.**



**Cast Iron Lid  
No. G03C  
14 lbs.**



A high density reinforced concrete box with cast iron ring for heavy traffic areas. Engineered and designed to be interchangeable with the Brooks 3RT. Approximate dimensions and weight shown.

Oldcastle Ordering Code	Item	Approx. Shipping Weight	Description
G03BOX	BOX	72 lbs.	G03 Traffic Valve Box (10 3/8" I.D. x 12" high) – Interchangeable with Brooks 3RT Box – 36 per pallet
G03C	LID	14 lbs.	Cast Iron Lid
G05X12	EXTENSION	32 lbs.	12" Reinforced Concrete– 36 per pallet
G05XP8	EXTENSION	1 lbs.	ADS 8" plastic
G05XP12	EXTENSION	1 lbs.	ADS 12" plastic
F08XP18	EXTENSION	2 lbs.	ADS 18" plastic
F14XP120	EXTENSION	11 lbs.	ADS 10' length plastic



Phone: (800) 486-7070 Fax: (800) 486-6804  
Copyright© 2011 Oldcastle Precast Inc.

**G03 BOX**

FILE NAME: G03\_ISO

ISSUE DATE: January, 2011

[www.oldcastleprecast.com](http://www.oldcastleprecast.com)

**G03 TRAFFIC VALVE BOX  
10-3/8" I.D. x 12"**

