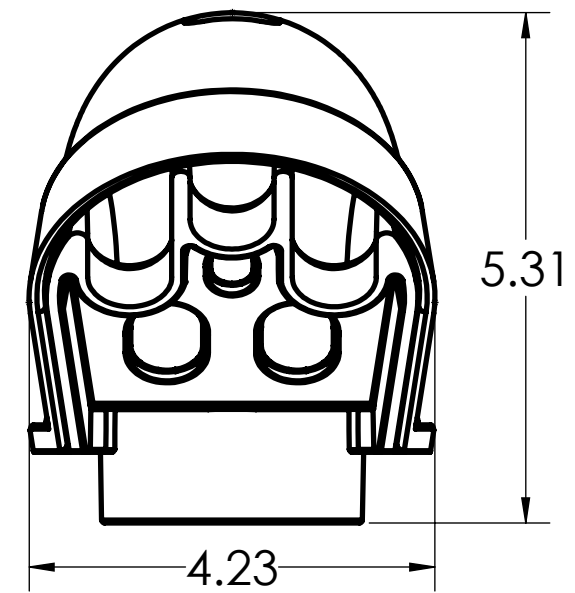
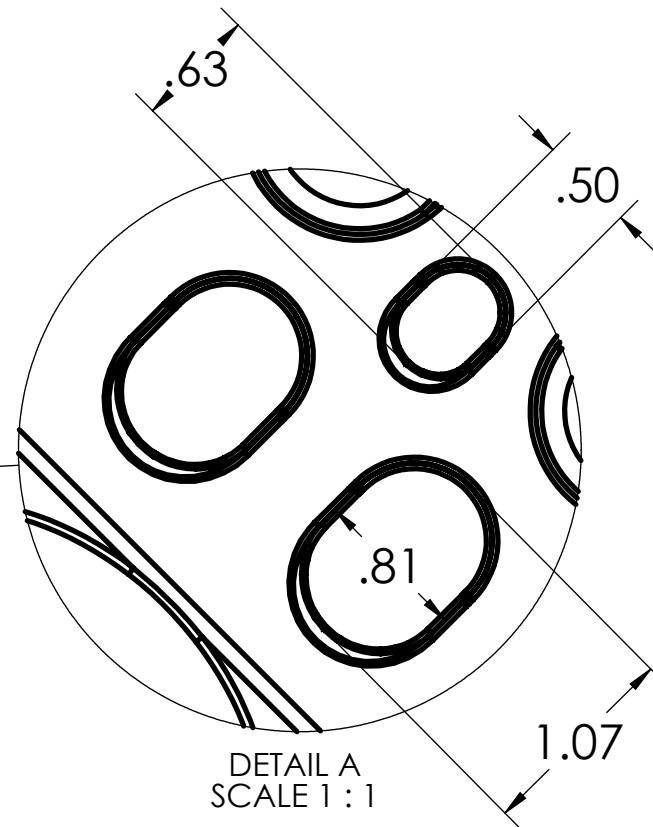
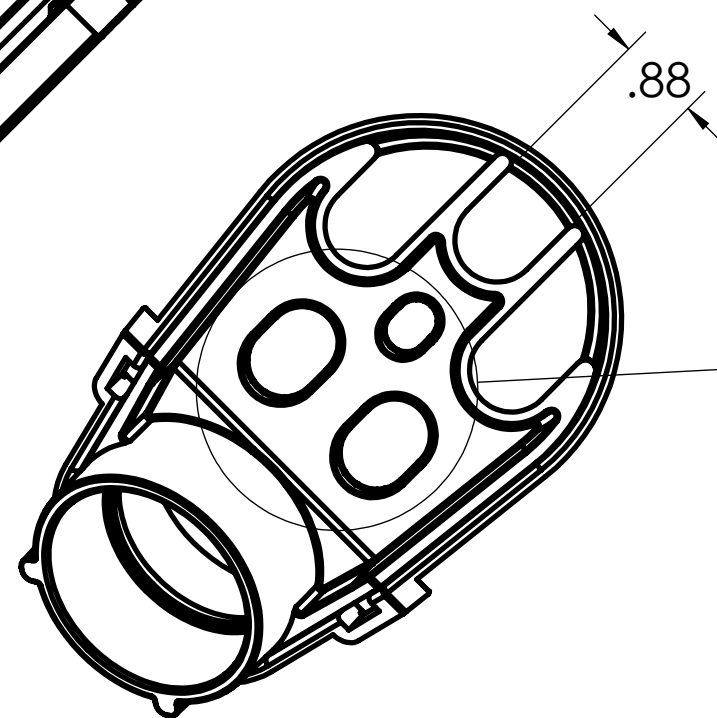
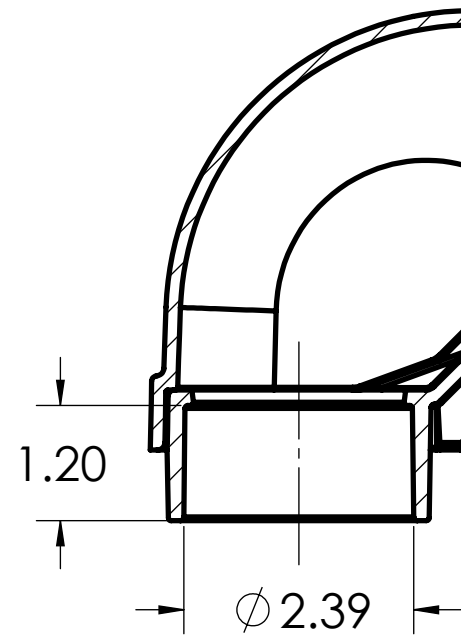
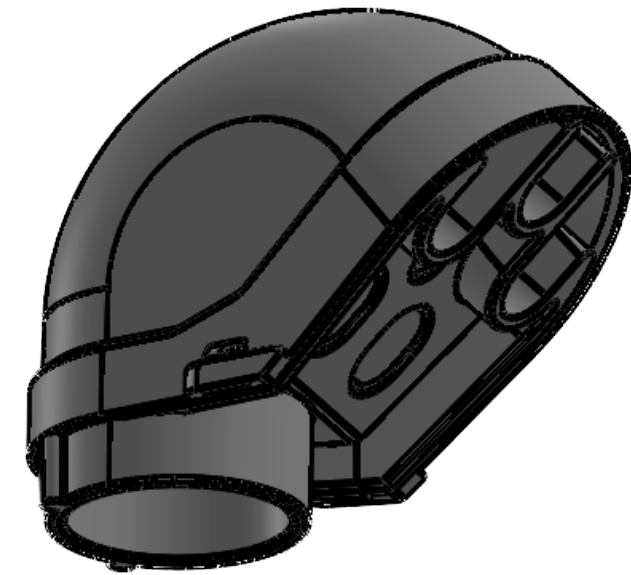
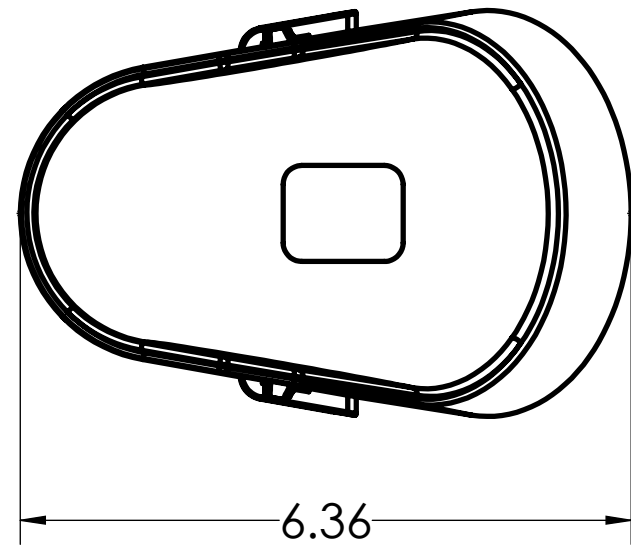


DIMENSIONS SHOWN ARE FOR REFERENCE AND ARE SUBJECT TO CHANGE WITHOUT NOTICE

**IPEX Technologies Inc.**

PART DESCRIPTION  
EF35 2" PVC SERVICE ENTRANCE FITTING SCEPTER

PRODUCT CODE: 078307	UNIT: INCHES UNLESS DUAL DIMENSION: INCH [METRIC]	SCALE: NTS
DRAWN: S.I.		



DIMENSIONS SHOWN ARE FOR REFERENCE AND ARE SUBJECT TO CHANGE WITHOUT NOTICE

**IPEX Technologies Inc.**

PART DESCRIPTION  
EF35 2" PVC SERVICE ENTRANCE FITTING SCEPTER

PRODUCT CODE: 078307	UNIT: INCHES UNLESS DUAL DIMENSION: INCH [METRIC]	SCALE: NTS
DRAWN: S.I.		