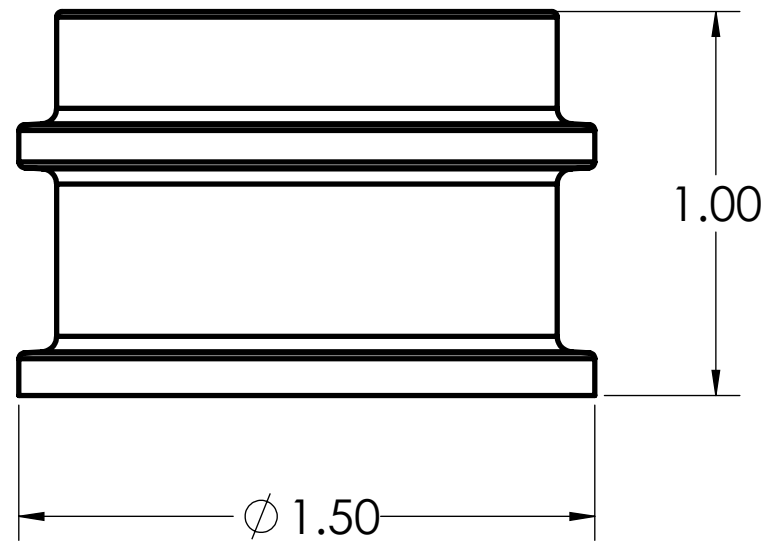
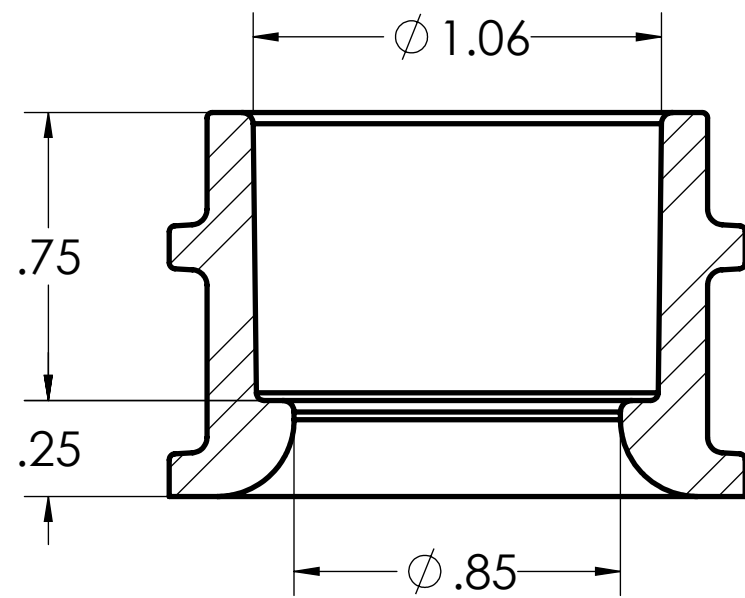
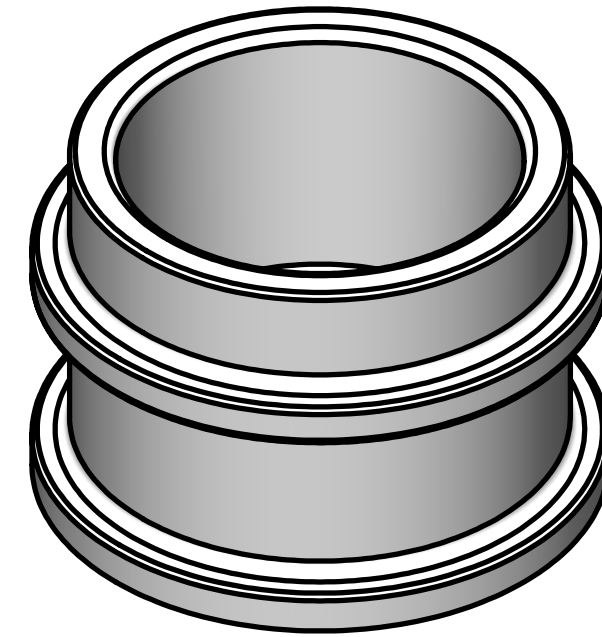
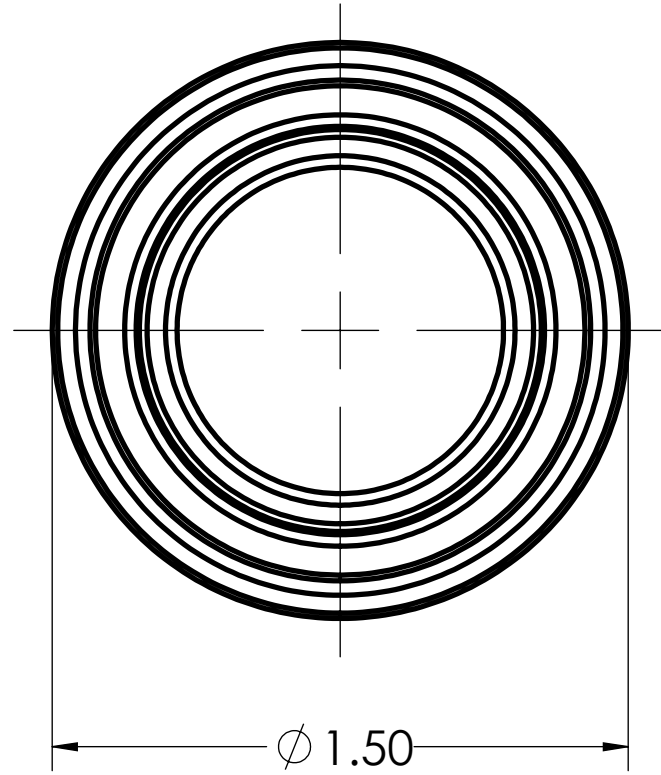


DIMENSIONS SHOWN ARE FOR REFERENCE AND ARE SUBJECT TO CHANGE WITHOUT NOTICE

**Kraloy, a Division of Multi Fittings Corp.**  
under license

PART DESCRIPTION  
MEB07 3/4" PVC MLD END BELL KRALOY

PRODUCT CODE: 078289	UNIT: INCHES UNLESS DUAL DIMENSION: INCH [METRIC]	SCALE: NTS
DRAWN: S.I.		



DIMENSIONS SHOWN ARE FOR REFERENCE AND ARE SUBJECT TO CHANGE WITHOUT NOTICE

**Kraloy, a Division of Multi Fittings Corp.**  
under license

PART DESCRIPTION  
MEB07 3/4" PVC MLD END BELL KRALOY

PRODUCT CODE: 078289	UNIT: INCHES UNLESS DUAL DIMENSION: INCH [METRIC]	SCALE: NTS
DRAWN: S.I.		