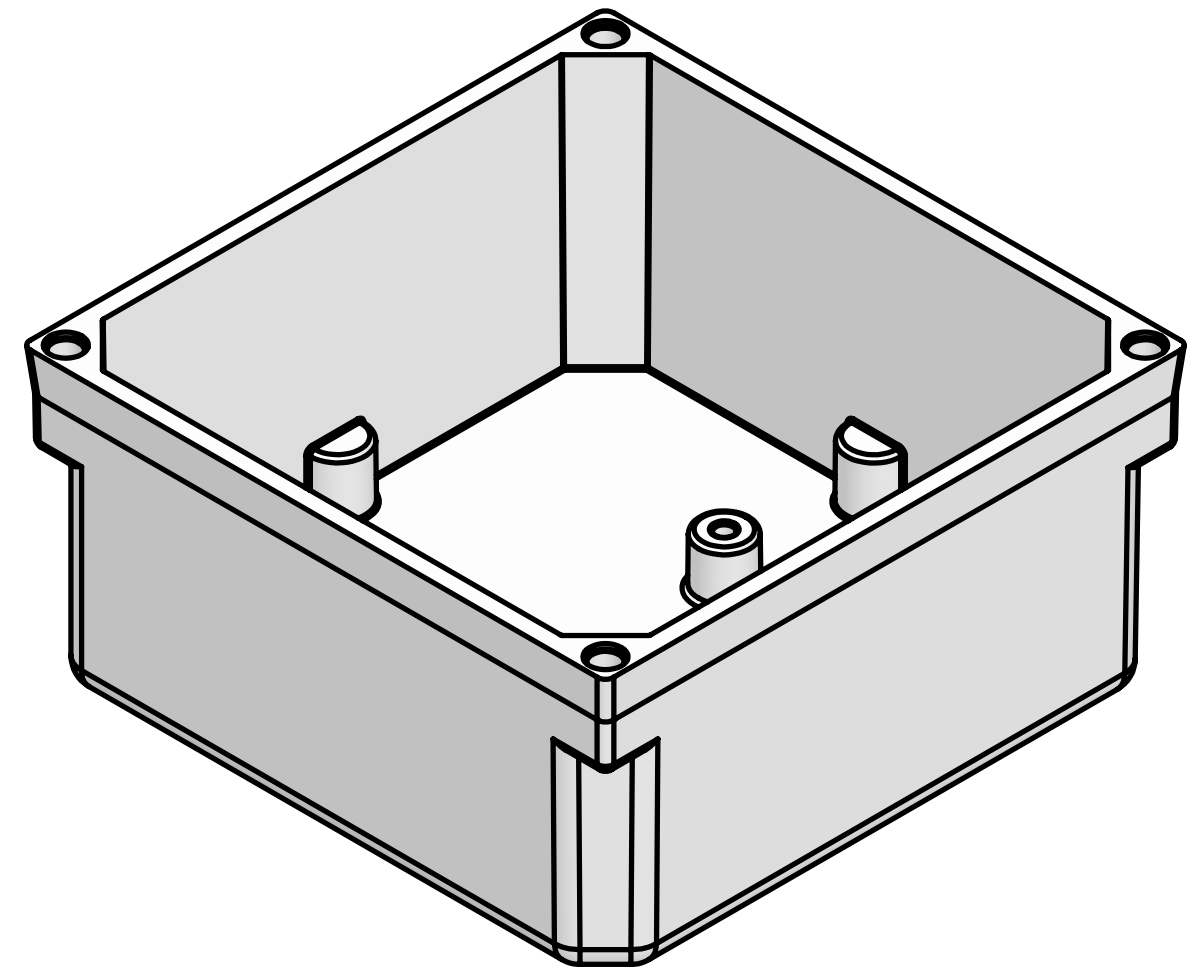
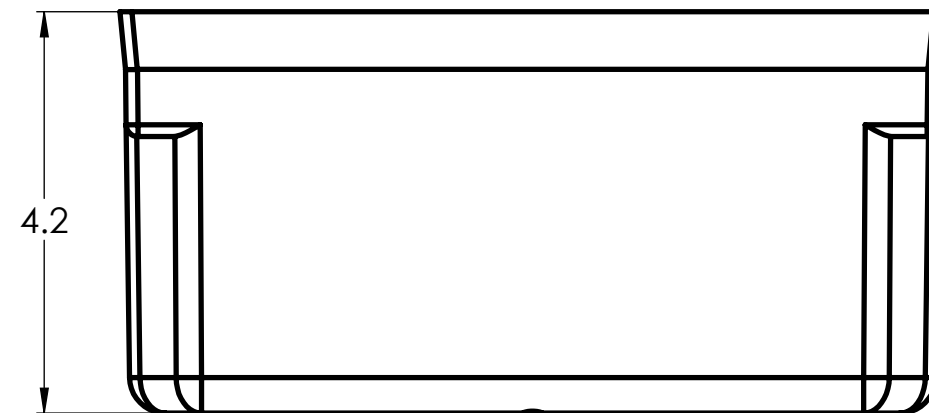
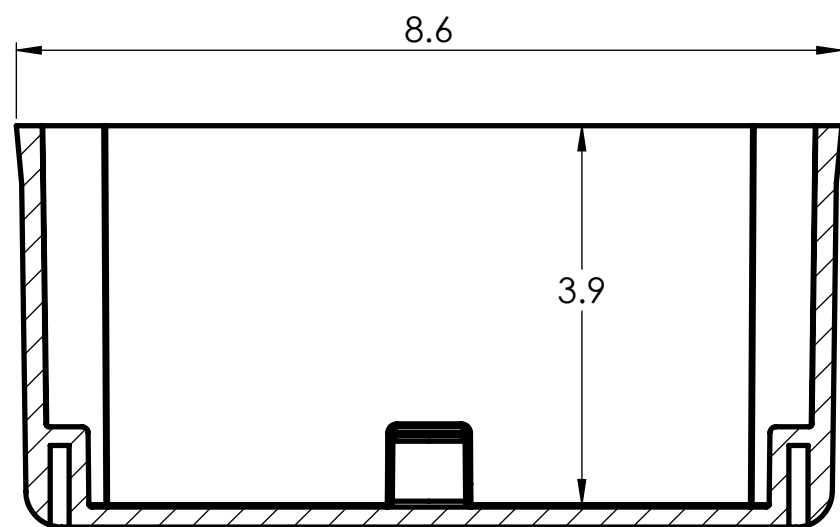


4 x 1/4-20 insert hole

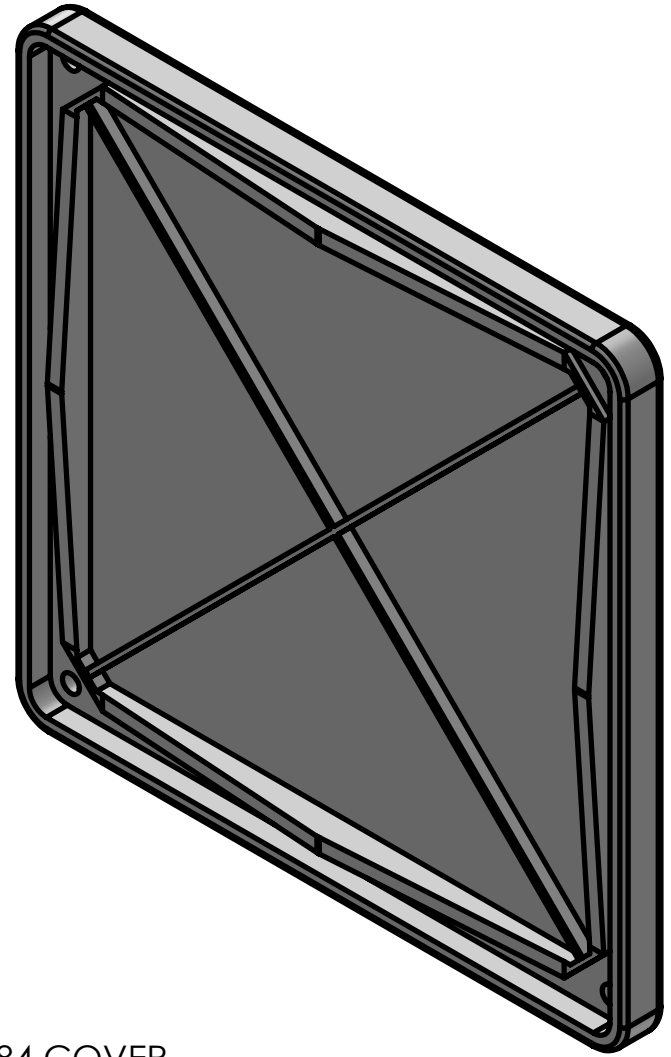
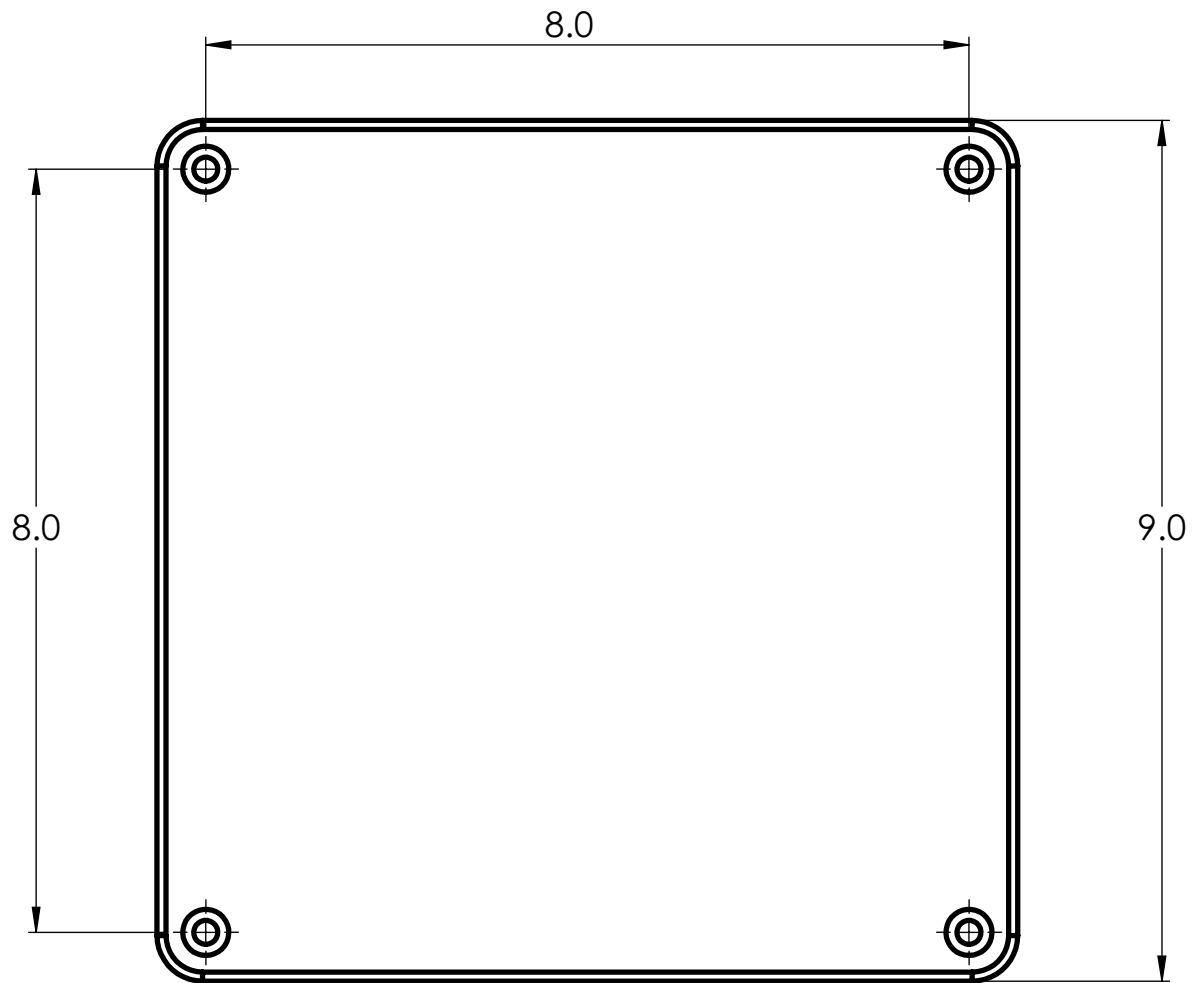
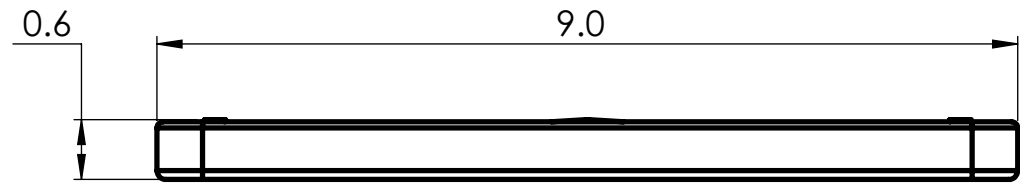


JB884 BOX



PLASTIC/RUBBER SIZES

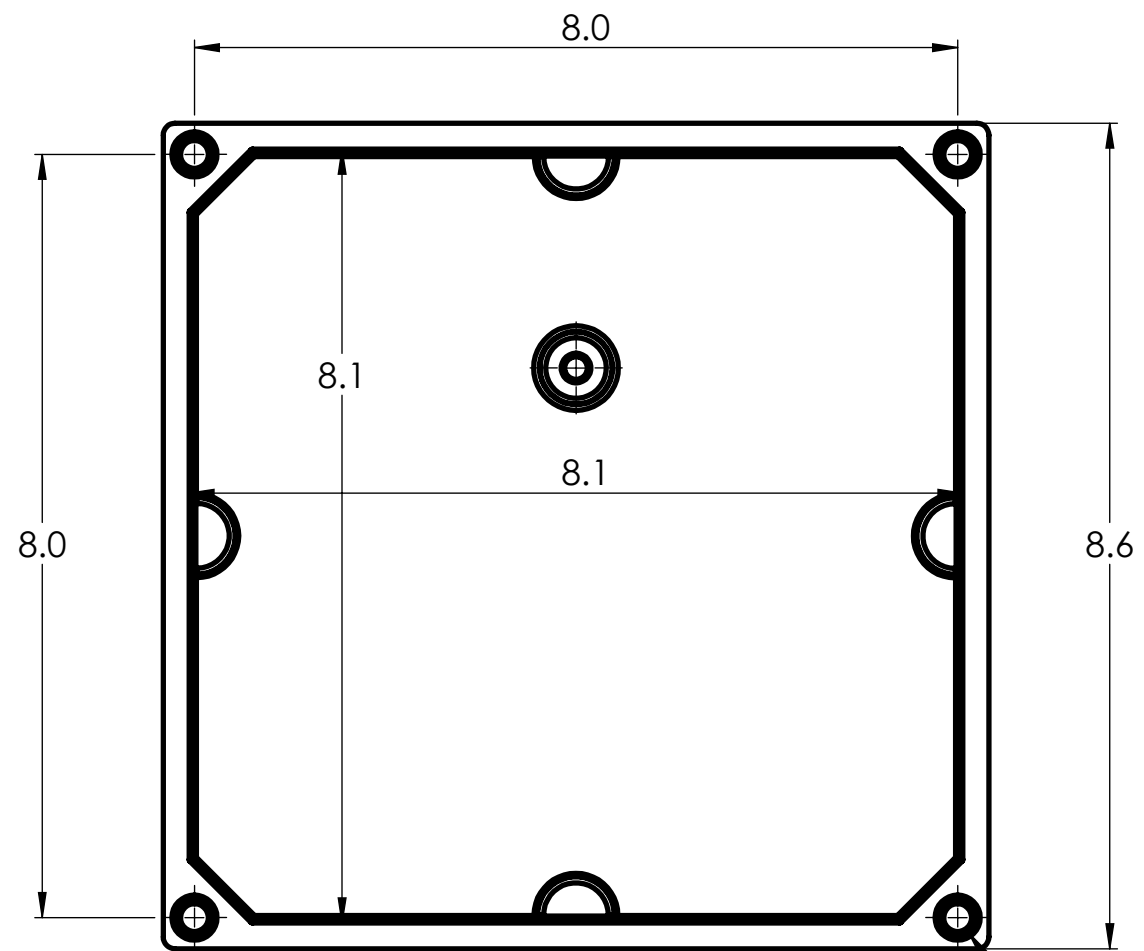
SIZES SHOWN ARE FOR REFERENCE 3D MODEL IS TO BE USED FOR MANUFACTURING / VERIFICATION				ALL CHANGES MUST BE APPROVED AND RECORDED BY ENGINEERING			
UNIT: INCHES UNLESS DUAL DIMENSION: INCH [METRIC]		PROJECTION 		IPEX Technologies Inc.			
THIS DRAWING AND ALL TECHNICAL INFORMATION APPEARING HEREON ARE PROPERTY OF IPEX TECHNOLOGIES INC. AND MUST BE KEPT IN CONFIDENCE BY THE RECIPIENT. THE SAME MAY NOT BE USED OR REPRODUCED EITHER IN WHOLE OR IN PART WITHOUT THE EXPRESS CONSENT OF IPEX TECHNOLOGIES INC.				TITLE JB884 8"x8"x4" PVC JUNCTION BOX KRALOY			
PART APPEARANCE:		COLOR:		PAPER SIZE ANSI B	NAME	DATE	SCALE: NA
SURFACE FINISHES: (UNLESS OTHERWISE NOTED)				DRAWN		MATT:	
INSIDE:				APPR'D		PRODUCT CODE: 078248	
OUTSIDE:				DIMENSIONS ARE IN INCHES TOLERANCES (UNLESS OTHERWISE SPECIFIED) FRACTIONAL ± 1/32 X.X ± 0.015 X.XX ± 0.010 X.XXX ± 0.005 ANGULAR ± 1.0		REFERENCE DIMENSIONS ARE SHOWN WITH REF. NOTE	
OTHER:				FILENAME:		PROJECT No.	
				FOLDER:			



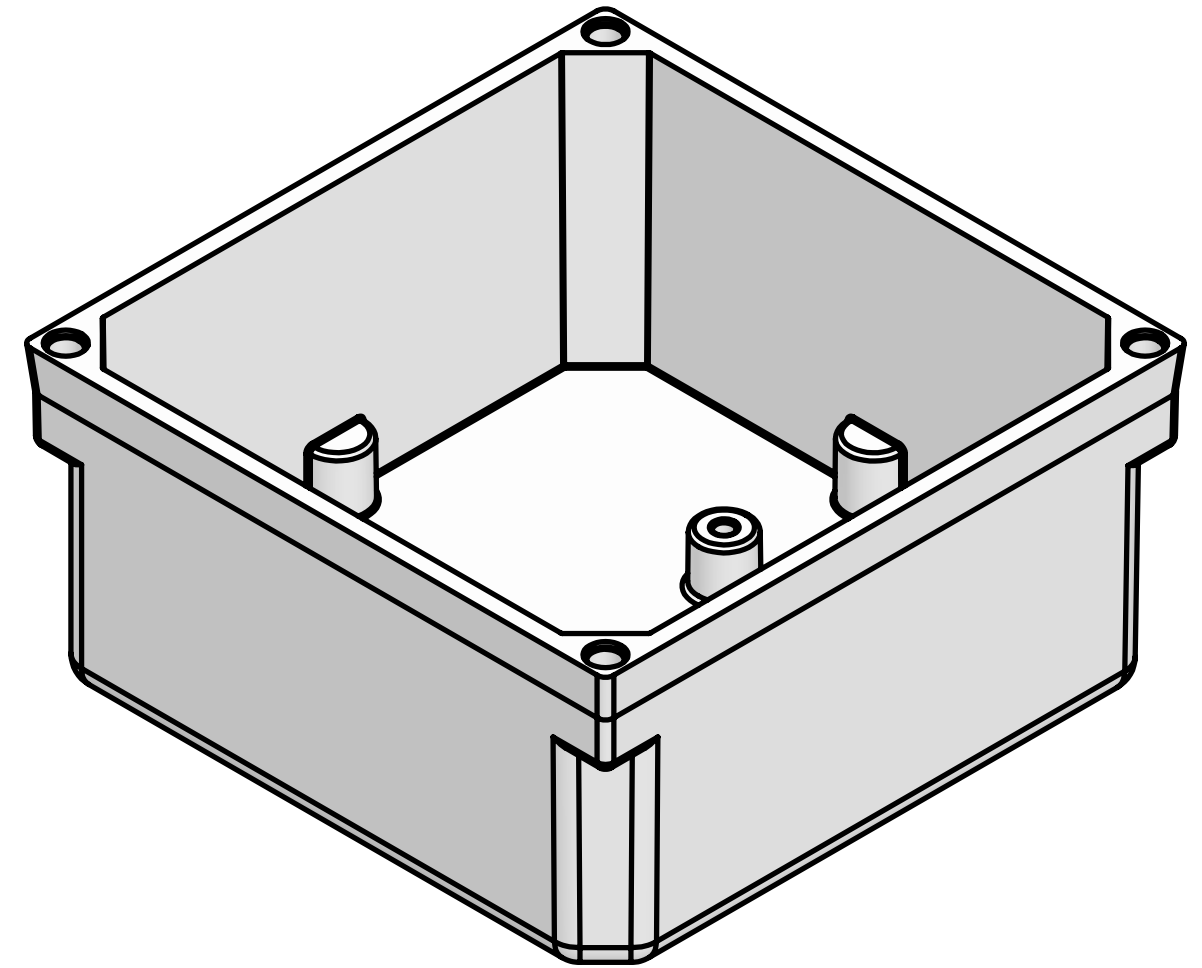
JB884 COVER

PLASTIC/RUBBER SIZES

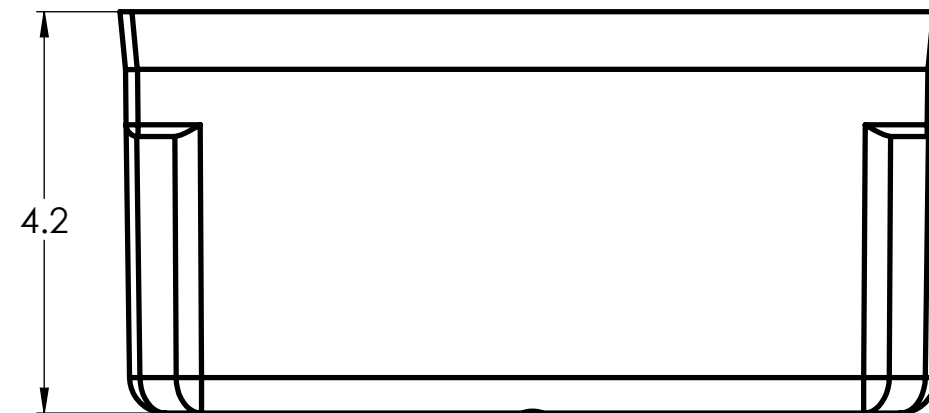
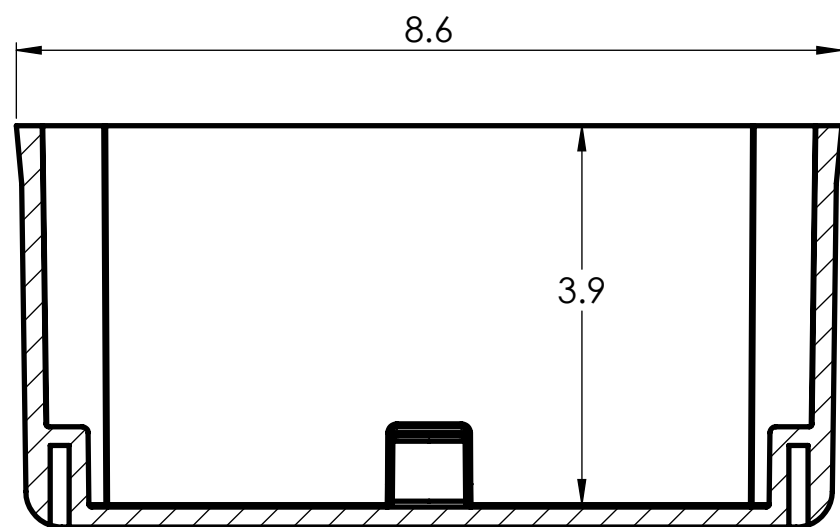
SIZES SHOWN ARE FOR REFERENCE 3D MODEL IS TO BE USED FOR MANUFACTURING / VERIFICATION				ALL CHANGES MUST BE APPROVED AND RECORDED BY ENGINEERING			
UNIT: INCHES UNLESS DUAL DIMENSION: INCH [METRIC]		PROJECTION 		IPEX Technologies Inc.			
THIS DRAWING AND ALL TECHNICAL INFORMATION APPEARING HEREON ARE PROPERTY OF IPEX TECHNOLOGIES INC. AND MUST BE KEPT IN CONFIDENCE BY THE RECIPIENT. THE SAME MAY NOT BE USED OR REPRODUCED EITHER IN WHOLE OR IN PART WITHOUT THE EXPRESS CONSENT OF IPEX TECHNOLOGIES INC.				TITLE JB884 8"x8"x4" PVC JUNCTION BOX KRALOY			
PART APPEARANCE:		COLOR:		PAPER SIZE ANSI B	NAME	DATE	SCALE: NA
SURFACE FINISHES: (UNLESS OTHERWISE NOTED)				DRAWN		MATT:	
INSIDE:				APP'D		PRODUCT CODE:	
OUTSIDE:				DIMENSIONS ARE IN INCHES TOLERANCES (UNLESS OTHERWISE SPECIFIED) FRACTIONAL ± 1/32 .XX ± 0.015 .XXX ± 0.010 .XXXX ± 0.005 ANGULAR ± 1.0		CRITICAL DIMENSIONS ARE SHOWN AS **DIM** REFERENCE DIMENSIONS ARE SHOWN WITH REF. NOTE	
OTHER:				FILENAME:		PROJECT No.	
				FOLDER:			



4 x 1/4-20 insert hole

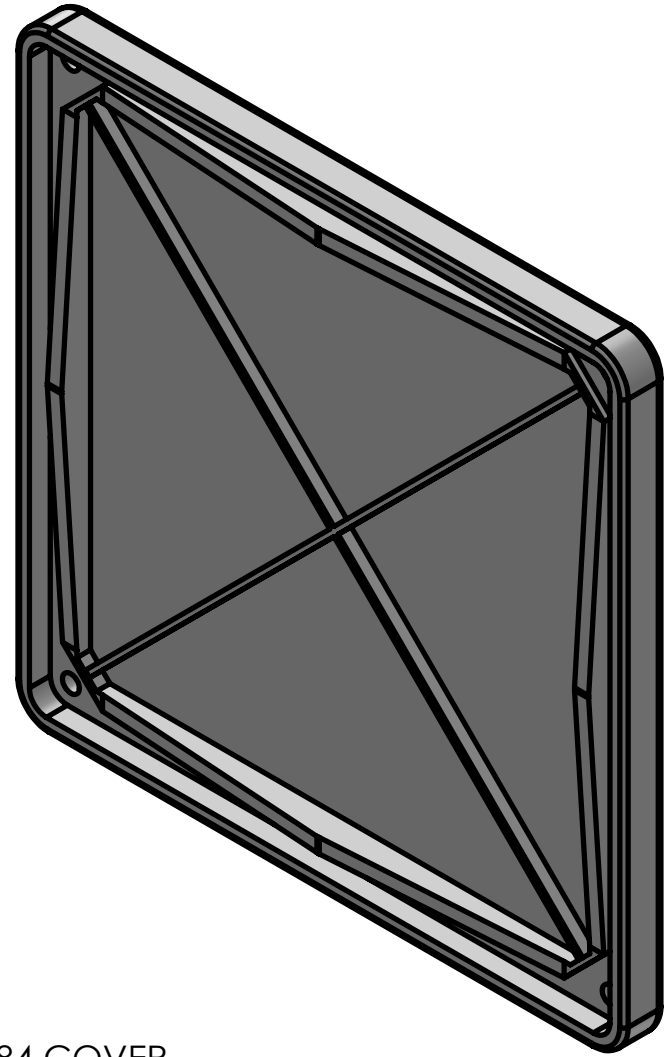
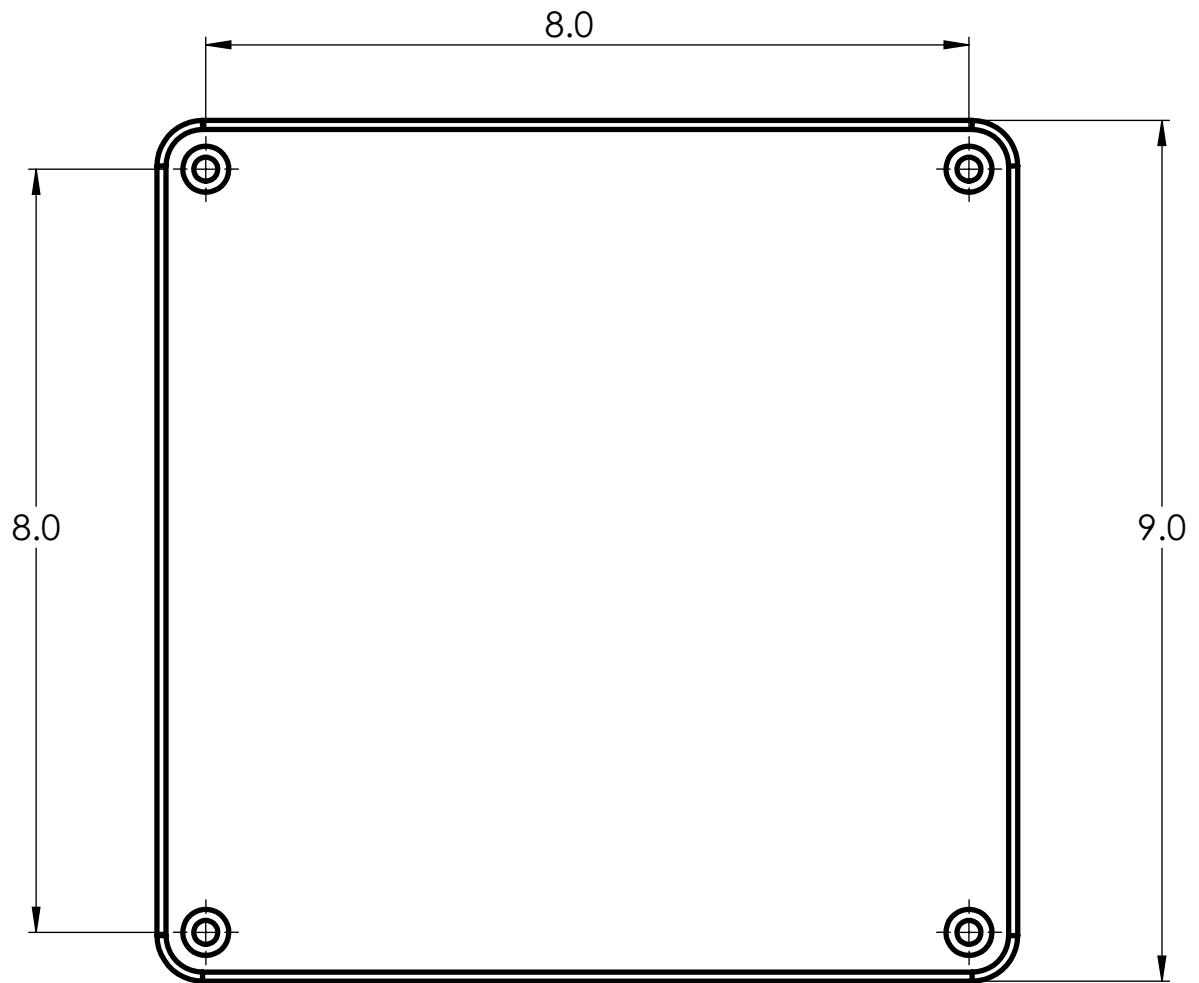
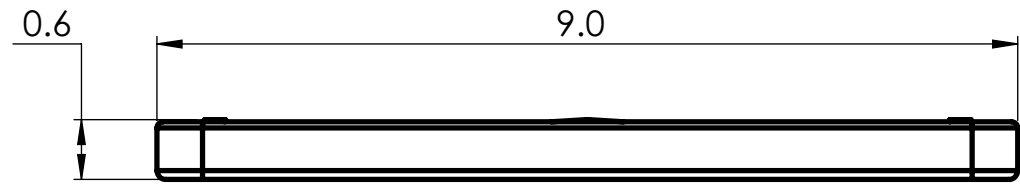


JB884 BOX



PLASTIC/RUBBER SIZES

SIZES SHOWN ARE FOR REFERENCE 3D MODEL IS TO BE USED FOR MANUFACTURING / VERIFICATION		ALL CHANGES MUST BE APPROVED AND RECORDED BY ENGINEERING	
UNIT: INCHES UNLESS DUAL DIMENSION: INCH [METRIC]	PROJECTION 	IPEX Technologies Inc.	
THIS DRAWING AND ALL TECHNICAL INFORMATION APPEARING HEREON ARE PROPERTY OF IPEX TECHNOLOGIES INC. AND MUST BE KEPT IN CONFIDENCE BY THE RECIPIENT. THE SAME MAY NOT BE USED OR REPRODUCED EITHER IN WHOLE OR IN PART WITHOUT THE EXPRESS CONSENT OF IPEX TECHNOLOGIES INC.		TITLE JB884 8"x8"x4" PVC JUNCTION BOX KRALOY	
PAPER SIZE ANSI B	NAME	DATE	SCALE: NA
PART APPEARANCE:	COLOR:	DRAWN	MAT'L:
SURFACE FINISHES: (UNLESS OTHERWISE NOTED)		APP'D	
INSIDE:	OUTSIDE:	OTHER:	PRODUCT CODE: 078248
DIMENSIONS ARE IN INCHES TOLERANCES (UNLESS OTHERWISE SPECIFIED) FRACTIONAL ± 1/32 .X.X ± 0.015 .X.XX ± 0.010 .X.XXX ± 0.005 ANGULAR ± 1.0		CRITICAL DIMENSIONS ARE SHOWN AS **.XX** REFERENCE DIMENSIONS ARE SHOWN WITH REF. NOTE	PROJECT No.
FILENAME:	FOLDER:		



JB884 COVER

PLASTIC/RUBBER SIZES

SIZES SHOWN ARE FOR REFERENCE 3D MODEL IS TO BE USED FOR MANUFACTURING / VERIFICATION				ALL CHANGES MUST BE APPROVED AND RECORDED BY ENGINEERING			
UNIT: INCHES UNLESS DUAL DIMENSION: INCH [METRIC]		PROJECTION 		IPEX Technologies Inc.			
THIS DRAWING AND ALL TECHNICAL INFORMATION APPEARING HEREON ARE PROPERTY OF IPEX TECHNOLOGIES INC. AND MUST BE KEPT IN CONFIDENCE BY THE RECIPIENT. THE SAME MAY NOT BE USED OR REPRODUCED EITHER IN WHOLE OR IN PART WITHOUT THE EXPRESS CONSENT OF IPEX TECHNOLOGIES INC.				TITLE JB884 8"x8"x4" PVC JUNCTION BOX KRALOY			
PART APPEARANCE:		COLOR:		PAPER SIZE ANSI B	NAME	DATE	SCALE: NA
SURFACE FINISHES: (UNLESS OTHERWISE NOTED)				DRAWN		MATT:	
INSIDE:				APP'D		PRODUCT CODE:	
OUTSIDE:				DIMENSIONS ARE IN INCHES TOLERANCES (UNLESS OTHERWISE SPECIFIED) FRACTIONAL ± 1/32 .XX ± 0.015 .XXX ± 0.010 .XXXX ± 0.005 ANGULAR ± 1.0		CRITICAL DIMENSIONS ARE SHOWN AS **DIM** REFERENCE DIMENSIONS ARE SHOWN WITH REF. NOTE	
OTHER:				FILENAME:		PROJECT No.	
				FOLDER:			