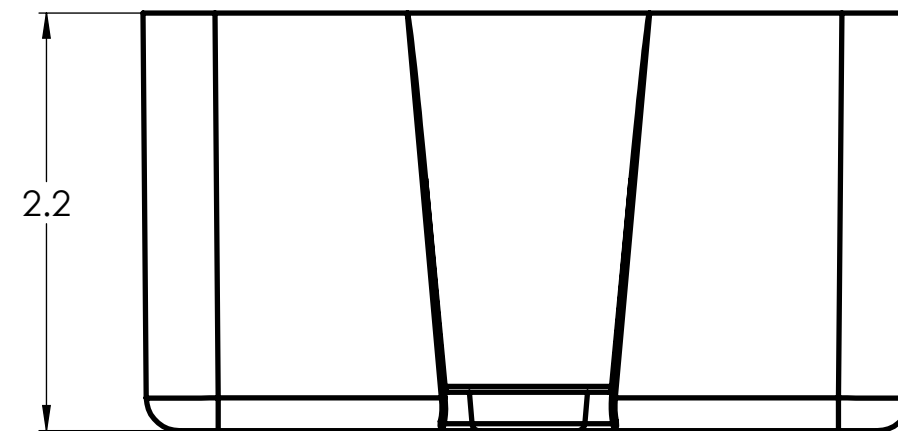
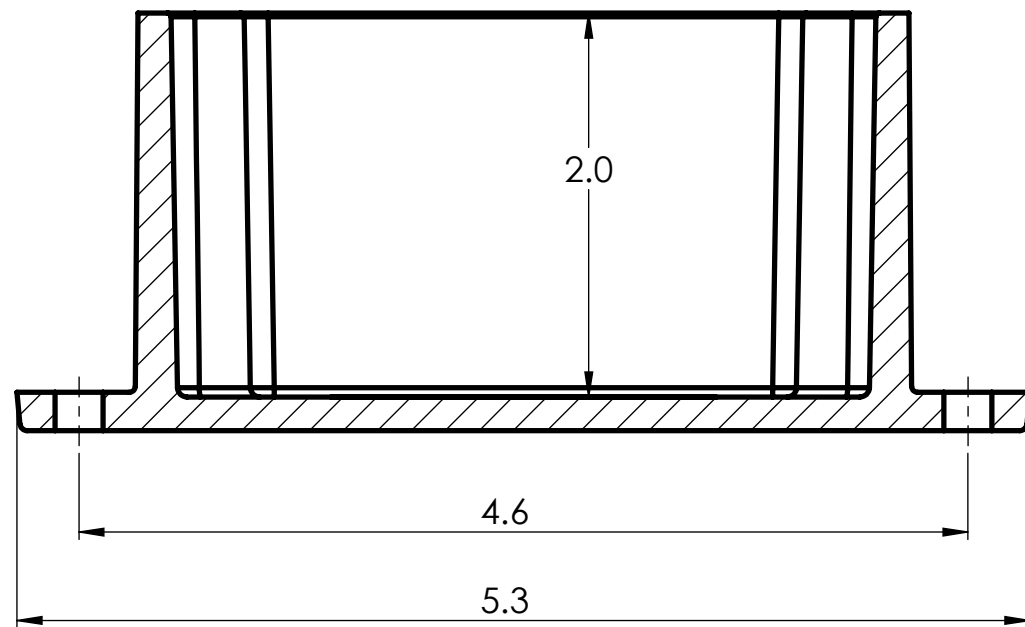
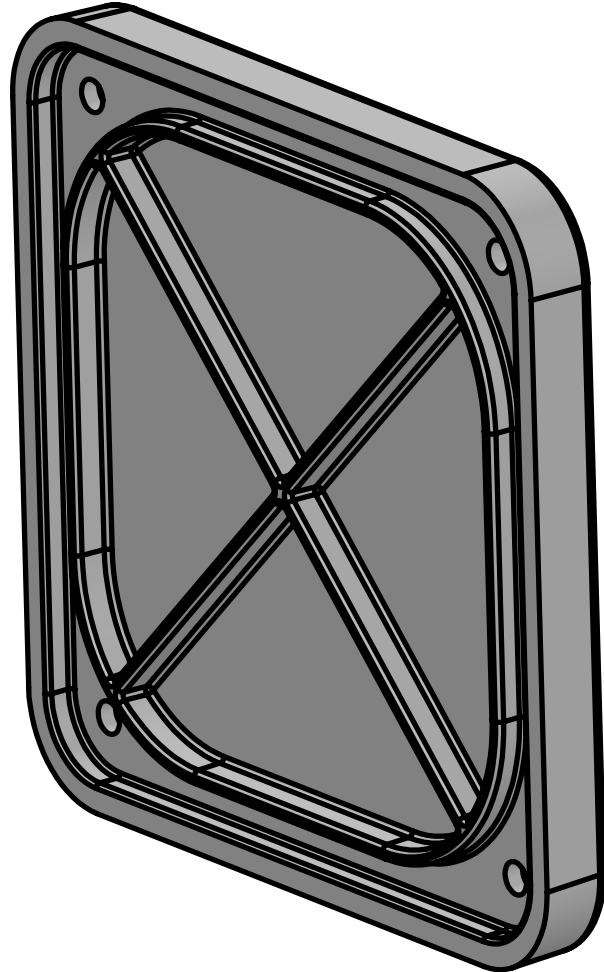
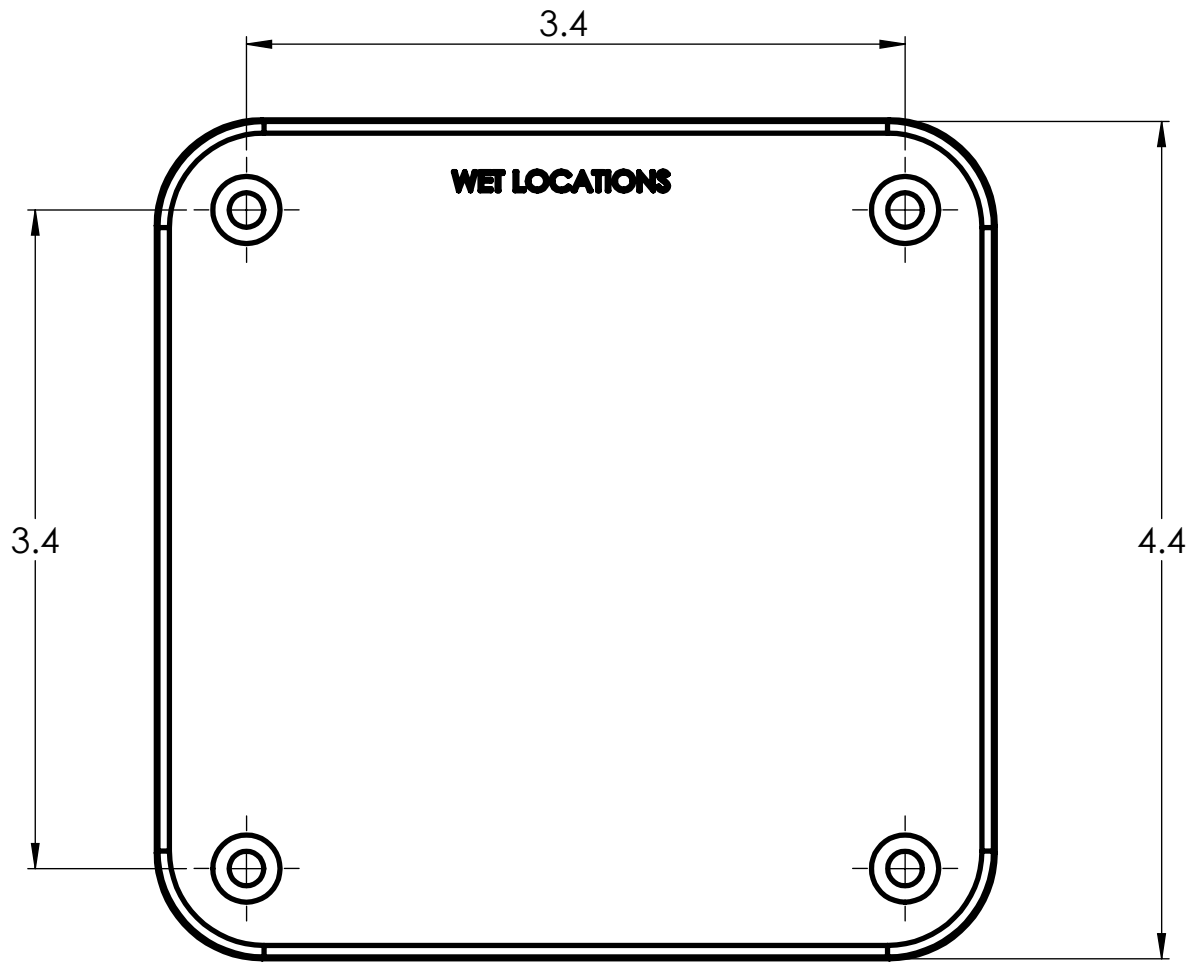
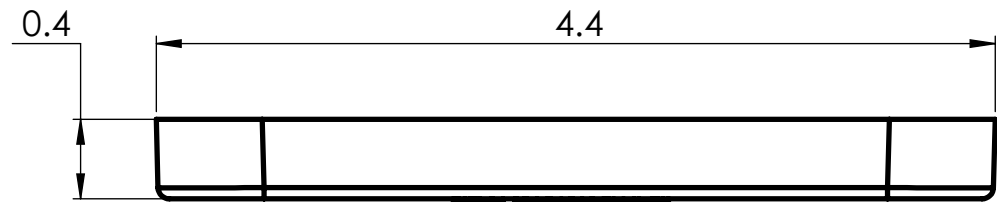


JB442 BOX



PLASTIC/RUBBER SIZES

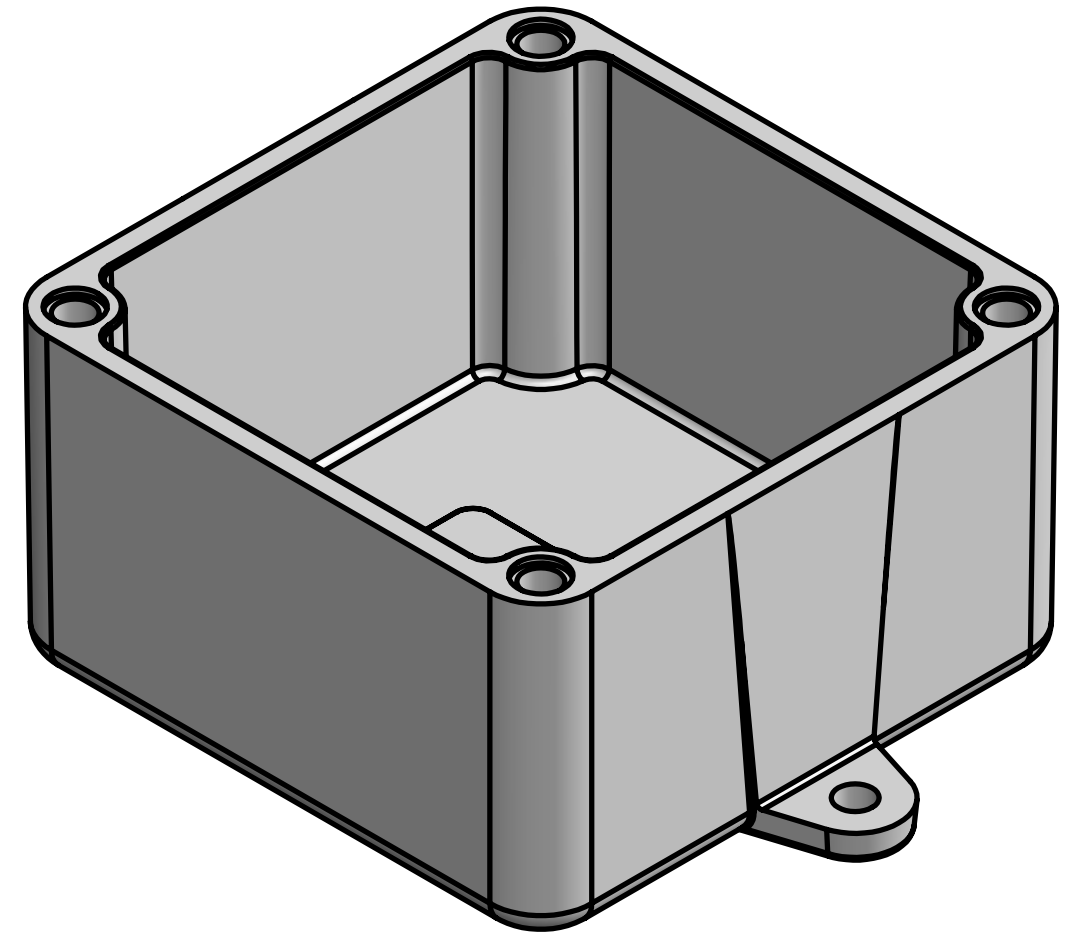
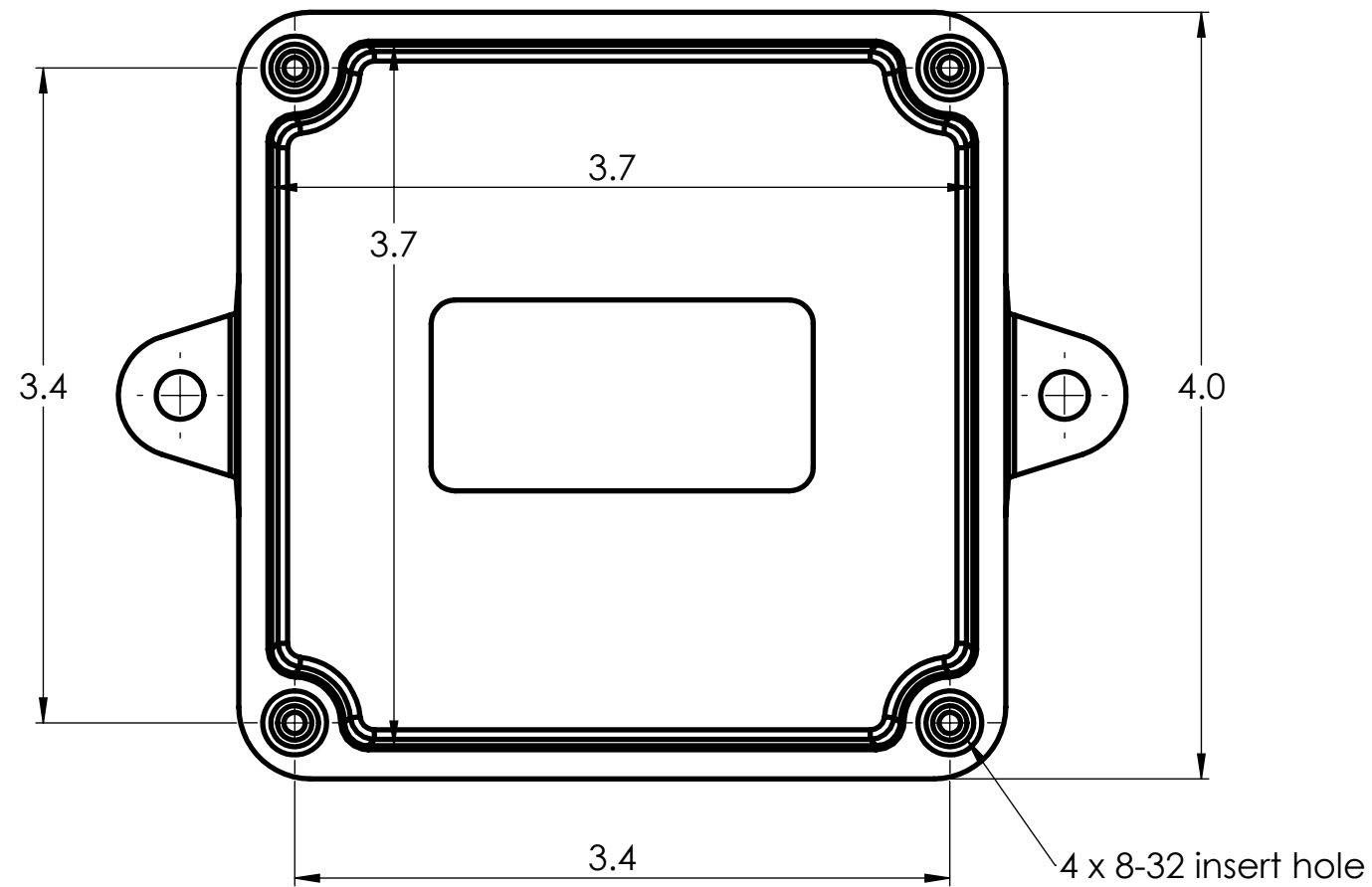
SIZES SHOWN ARE FOR REFERENCE 3D MODEL IS TO BE USED FOR MANUFACTURING / VERIFICATION		ALL CHANGES MUST BE APPROVED AND RECORDED BY ENGINEERING	
UNIT: INCHES UNLESS DUAL DIMENSION: INCH [METRIC]	PROJECTION 	IPEX Technologies Inc.	
THIS DRAWING AND ALL TECHNICAL INFORMATION APPEARING HEREON ARE PROPERTY OF IPEX TECHNOLOGIES INC. AND MUST BE KEPT IN CONFIDENCE BY THE RECIPIENT. THE SAME MAY NOT BE USED OR REPRODUCED EITHER IN WHOLE OR IN PART WITHOUT THE EXPRESS CONSENT OF IPEX TECHNOLOGIES INC.	TITLE JB442 4"x4"x2" PVC JUNCTION BOX KRALOY		SCALE: NA
	PAPER SIZE ANSI B	NAME	DATE
PART APPEARANCE:	COLOR:	DRAWN	MAT'L:
SURFACE FINISHES: (UNLESS OTHERWISE NOTED)		APP'D	
INSIDE:	DIMENSIONS ARE IN INCHES TOLERANCES (UNLESS OTHERWISE SPECIFIED)	CRITICAL DIMENSIONS ARE SHOWN AS **DIM**	
OUTSIDE:	FRACTIONAL ± 1/32	PRODUCT CODE: 078242	
OTHER:	XX ± 0.015	REFERENCE DIMENSIONS ARE SHOWN WITH REF. NOTE	
FILENAME:	XX ± 0.010	PROJECT No.	
	XXX ± 0.005		
	ANGULAR ± 1.0		
	FOLDER:		



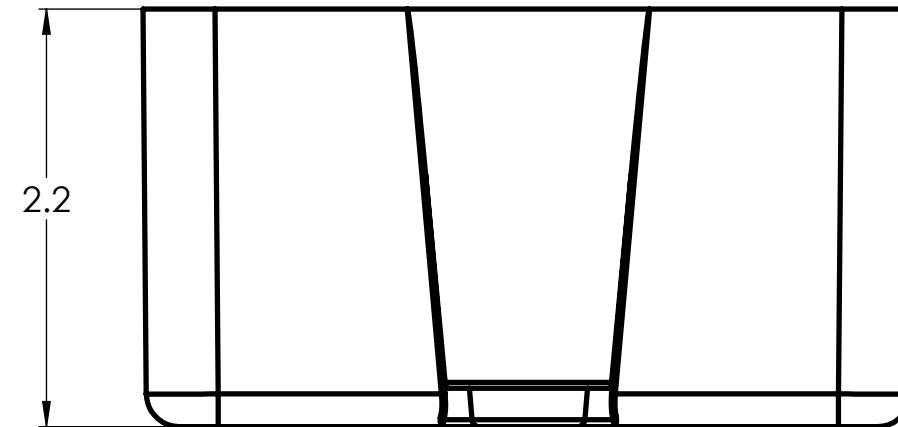
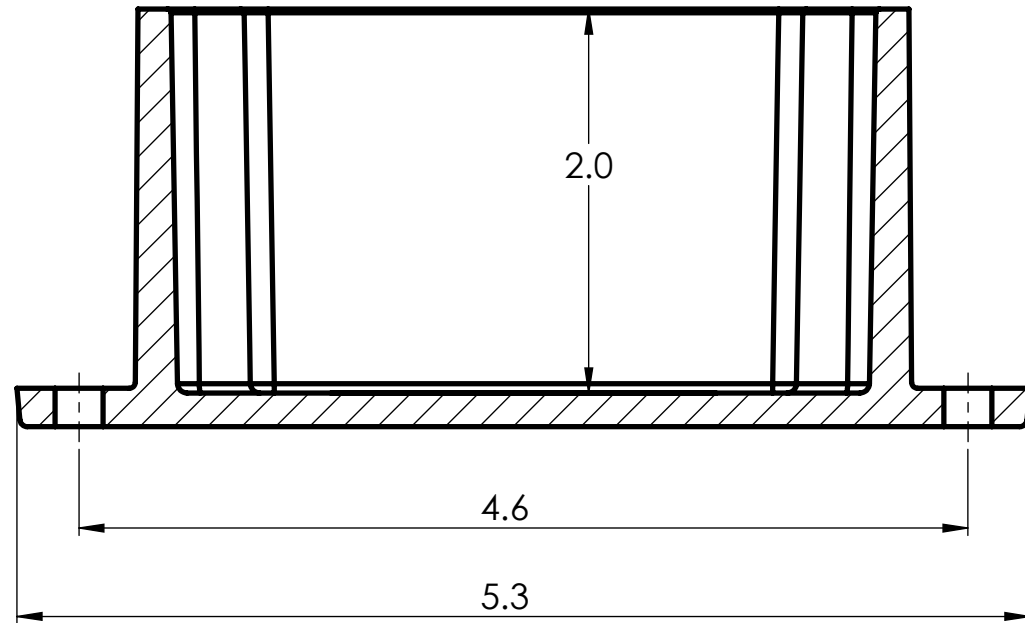
JB442 COVER

PLASTIC/RUBBER SIZES

SIZES SHOWN ARE FOR REFERENCE 3D MODEL IS TO BE USED FOR MANUFACTURING / VERIFICATION		ALL CHANGES MUST BE APPROVED AND RECORDED BY ENGINEERING	
UNIT: INCHES UNLESS DUAL DIMENSION: INCH [METRIC]	PROJECTION 	IPEX Technologies Inc.	
THIS DRAWING AND ALL TECHNICAL INFORMATION APPEARING HEREON ARE PROPERTY OF IPEX TECHNOLOGIES INC. AND MUST BE KEPT IN CONFIDENCE BY THE RECIPIENT. THE SAME MAY NOT BE USED OR REPRODUCED EITHER IN WHOLE OR IN PART WITHOUT THE EXPRESS CONSENT OF IPEX TECHNOLOGIES INC.	TITLE JB442 4"x4"x2" PVC JUNCTION BOX KRALOY		
	PAPER SIZE ANSI B	NAME	DATE
PART APPEARANCE:	COLOR:	DRAWN	SCALE: NA
SURFACE FINISHES: (UNLESS OTHERWISE NOTED)	APP'D	MATT:	
INSIDE:	DIMENSIONS ARE IN INCHES TOLERANCES (UNLESS OTHERWISE SPECIFIED)		PRODUCT CODE: 078242
OUTSIDE:	FRACTIONAL ± 1/32		REFERENCE DIMENSIONS ARE SHOWN WITH REF. NOTE
OTHER:	X.XX ± 0.015		
FILENAME:	FOLDER:	X.XXX ± 0.005	PROJECT No.
		ANGULAR ± 1.0	

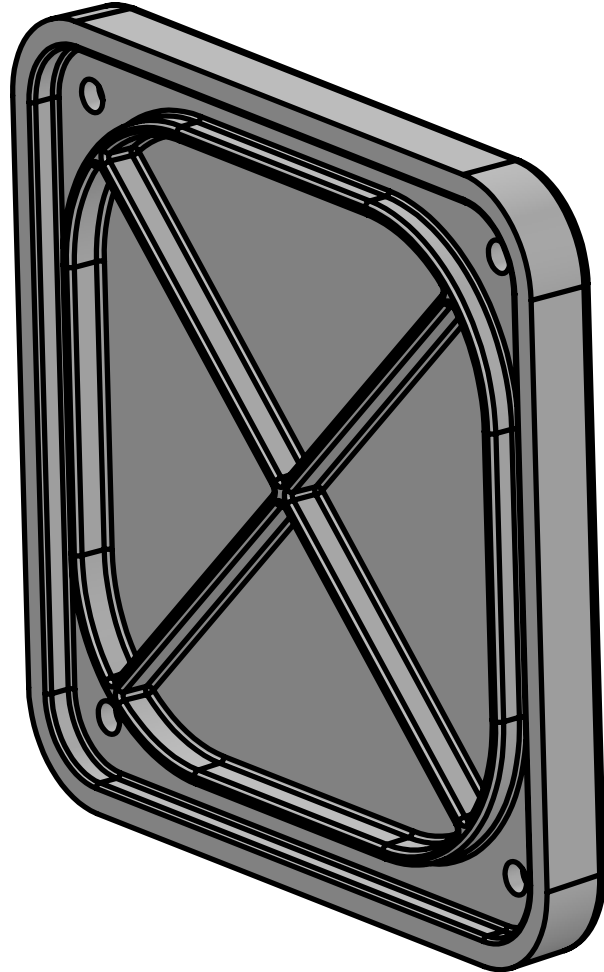
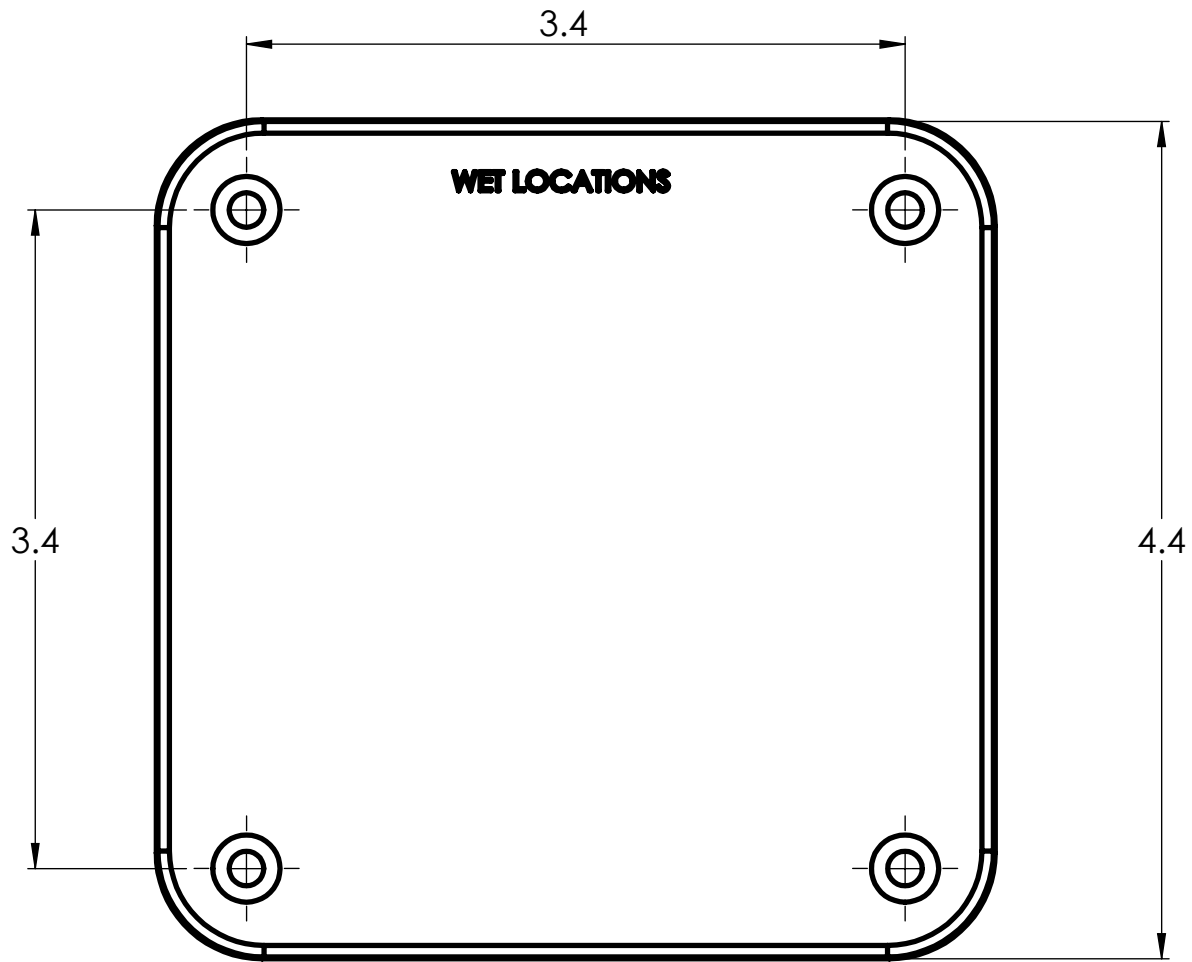
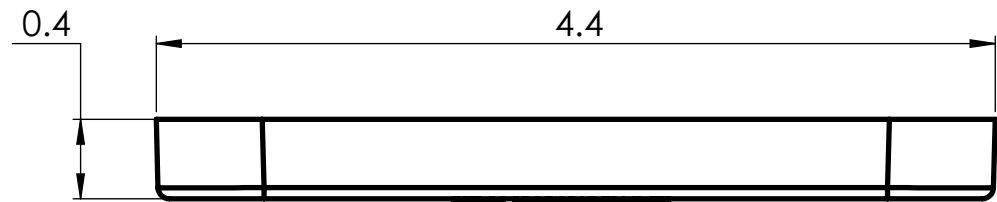


JB442 BOX



PLASTIC/RUBBER SIZES

SIZES SHOWN ARE FOR REFERENCE 3D MODEL IS TO BE USED FOR MANUFACTURING / VERIFICATION				ALL CHANGES MUST BE APPROVED AND RECORDED BY ENGINEERING			
UNIT: INCHES UNLESS DUAL DIMENSION: INCH [METRIC]		PROJECTION 		IPEX Technologies Inc.			
THIS DRAWING AND ALL TECHNICAL INFORMATION APPEARING HEREON ARE PROPERTY OF IPEX TECHNOLOGIES INC. AND MUST BE KEPT IN CONFIDENCE BY THE RECIPIENT. THE SAME MAY NOT BE USED OR REPRODUCED EITHER IN WHOLE OR IN PART WITHOUT THE EXPRESS CONSENT OF IPEX TECHNOLOGIES INC.				TITLE JB442 4"x4"x2" PVC JUNCTION BOX KRALOY			
PAPER SIZE ANSI B		NAME		DATE		SCALE: NA	
PART APPEARANCE:		COLOR:		DRAWN		MATT:	
SURFACE FINISHES: (UNLESS OTHERWISE NOTED)				APP'D		PRODUCT CODE:	
INSIDE:		(UNLESS OTHERWISE SPECIFIED)		DIMENSIONS ARE IN INCHES TOLERANCES		CRITICAL DIMENSIONS ARE SHOWN AS **DIM**	
OUTSIDE:		FRACTIONAL		± 1/32		078242	
OTHER:		X.X		± 0.015		REFERENCE DIMENSIONS ARE SHOWN WITH REF. NOTE	
		X.XX		± 0.010			
		X.XXX		± 0.005			
		ANGULAR		± 1.0			
FILENAME:				FOLDER:			



JB442 COVER

PLASTIC/RUBBER SIZES

SIZES SHOWN ARE FOR REFERENCE 3D MODEL IS TO BE USED FOR MANUFACTURING / VERIFICATION		ALL CHANGES MUST BE APPROVED AND RECORDED BY ENGINEERING	
UNIT: INCHES UNLESS DUAL DIMENSION: INCH [METRIC]	PROJECTION 	IPEX Technologies Inc.	
THIS DRAWING AND ALL TECHNICAL INFORMATION APPEARING HEREON ARE PROPERTY OF IPEX TECHNOLOGIES INC. AND MUST BE KEPT IN CONFIDENCE BY THE RECIPIENT. THE SAME MAY NOT BE USED OR REPRODUCED EITHER IN WHOLE OR IN PART WITHOUT THE EXPRESS CONSENT OF IPEX TECHNOLOGIES INC.	TITLE JB442 4"x4"x2" PVC JUNCTION BOX KRALOY		
	PAPER SIZE ANSI B	NAME	DATE
PART APPEARANCE:	COLOR:	DRAWN	SCALE: NA
SURFACE FINISHES: (UNLESS OTHERWISE NOTED)	APP'D	MATT'L:	
INSIDE:	DIMENSIONS ARE IN INCHES TOLERANCES (UNLESS OTHERWISE SPECIFIED)		PRODUCT CODE: 078242
OUTSIDE:	FRACTIONAL ± 1/32	REFERENCE DIMENSIONS ARE SHOWN WITH REF. NOTE	PROJECT No.
OTHER:	XX ± 0.015		
	XXX ± 0.010		
	XXXX ± 0.005		
	ANGULAR ± 1.0		
FILENAME:	FOLDER:		