

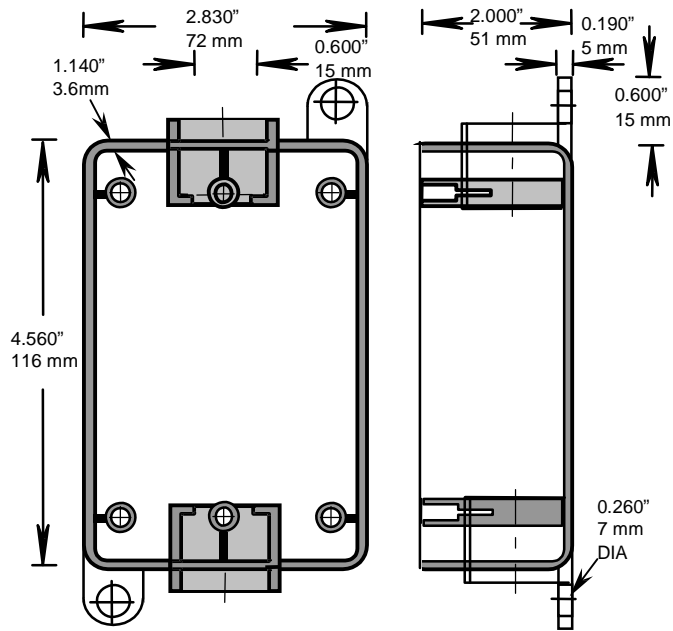
RIGID PVC CONDUIT FITTINGS - KRALOY

FSC SINGLE GANG BOXES

ISSUE DATE:
DATE D'EMISSION: 2004 01 15

SUPERCEDES:
REPLACE: 2003 11 15

4



PRODUCT CODE	PART NUMBER	VOLUME	
		(cubic in)	(cubic mm)
078226	FSC05	15.3	250.7
078227	FSC07	15.3	250.7
178060	FSC05	15.3	250.7
176061	FSC07	15.3	250.7

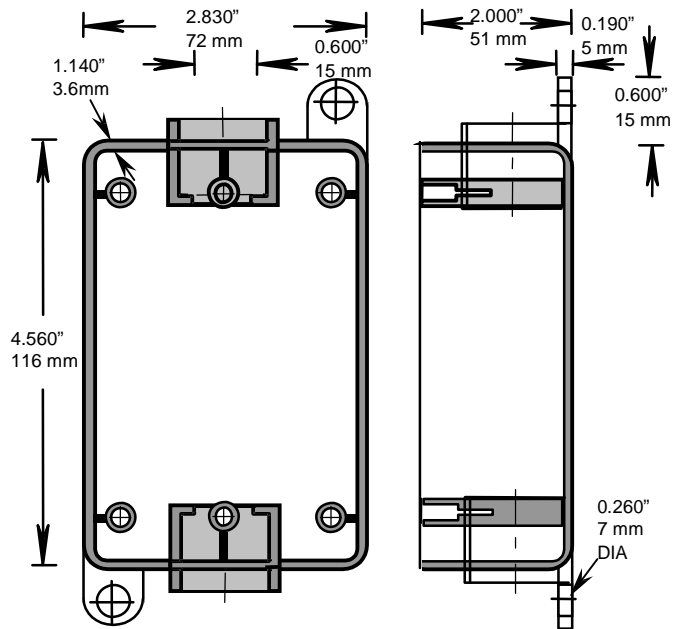
RIGID PVC CONDUIT FITTINGS - KRALOY

FSC SINGLE GANG BOXES

ISSUE DATE:
DATE D'EMISSION: 2004 01 15

SUPERCEDES:
REPLACE: 2003 11 15

4



PRODUCT CODE	PART NUMBER	VOLUME	
		(cubic in)	(cubic mm)
078226	FSC05	15.3	250.7
078227	FSC07	15.3	250.7
178060	FSC05	15.3	250.7
176061	FSC07	15.3	250.7

