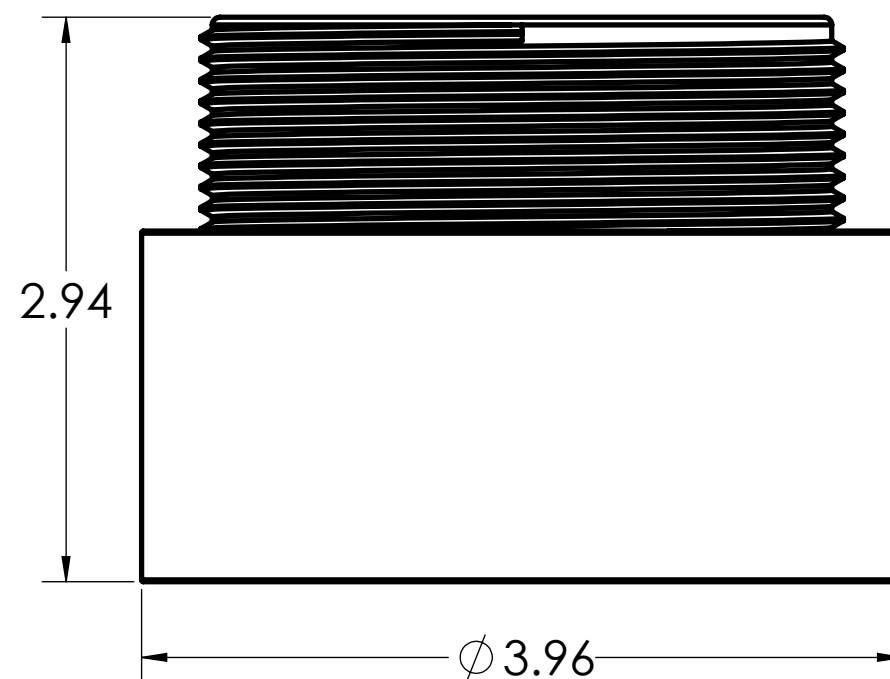
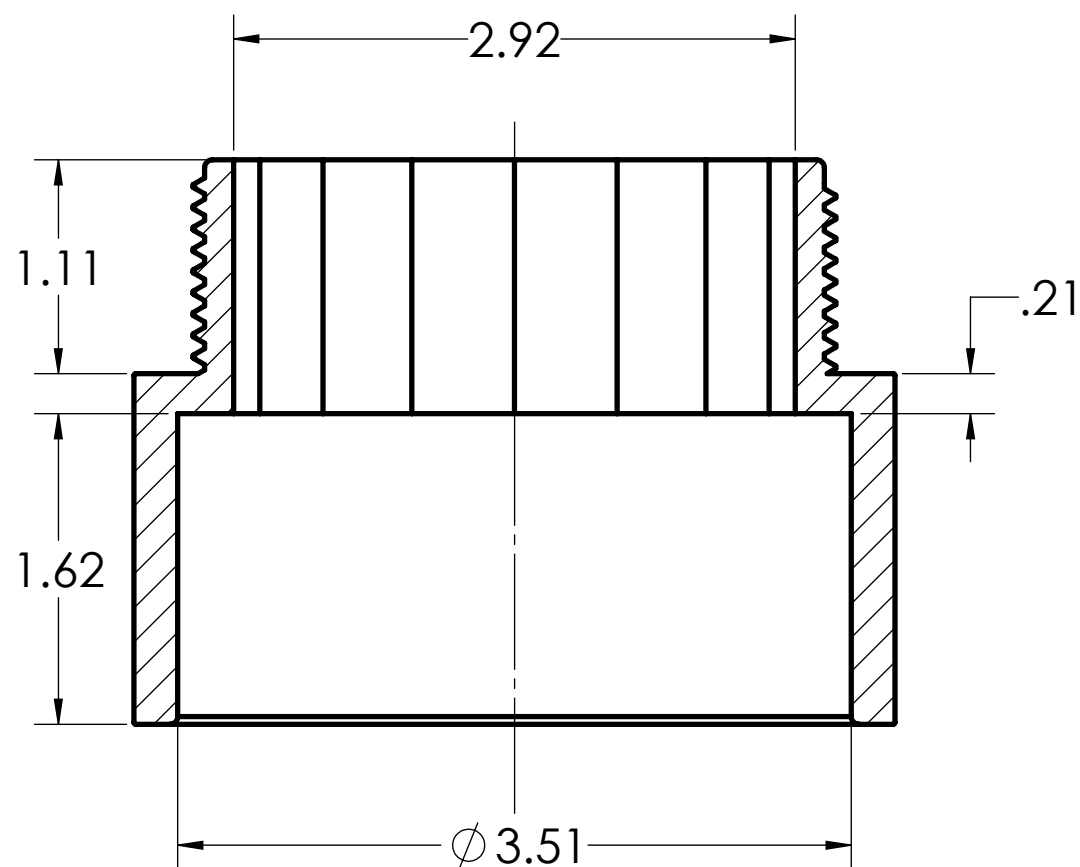
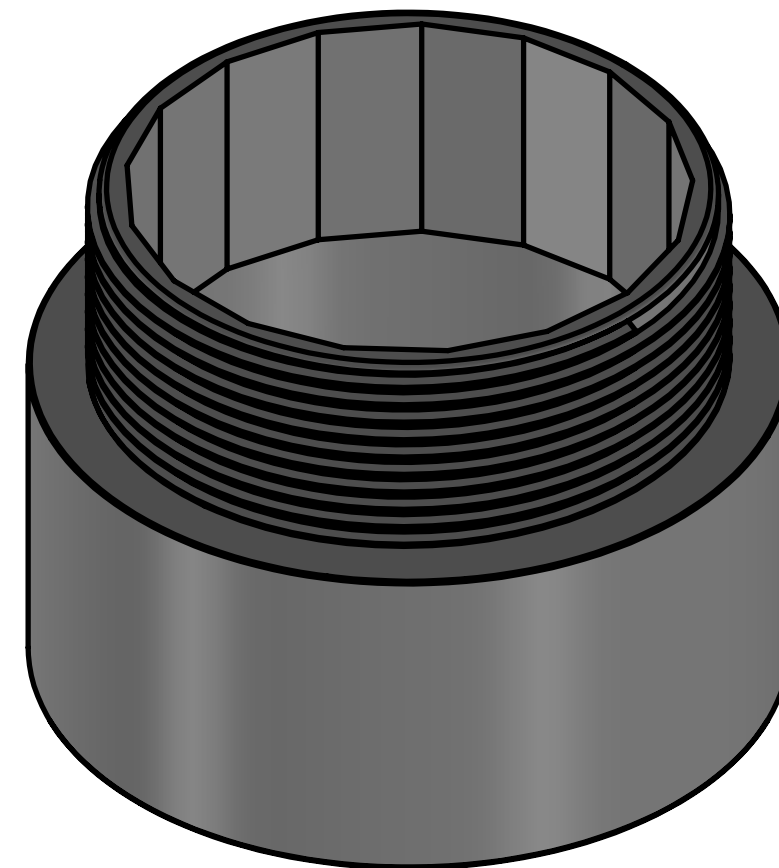
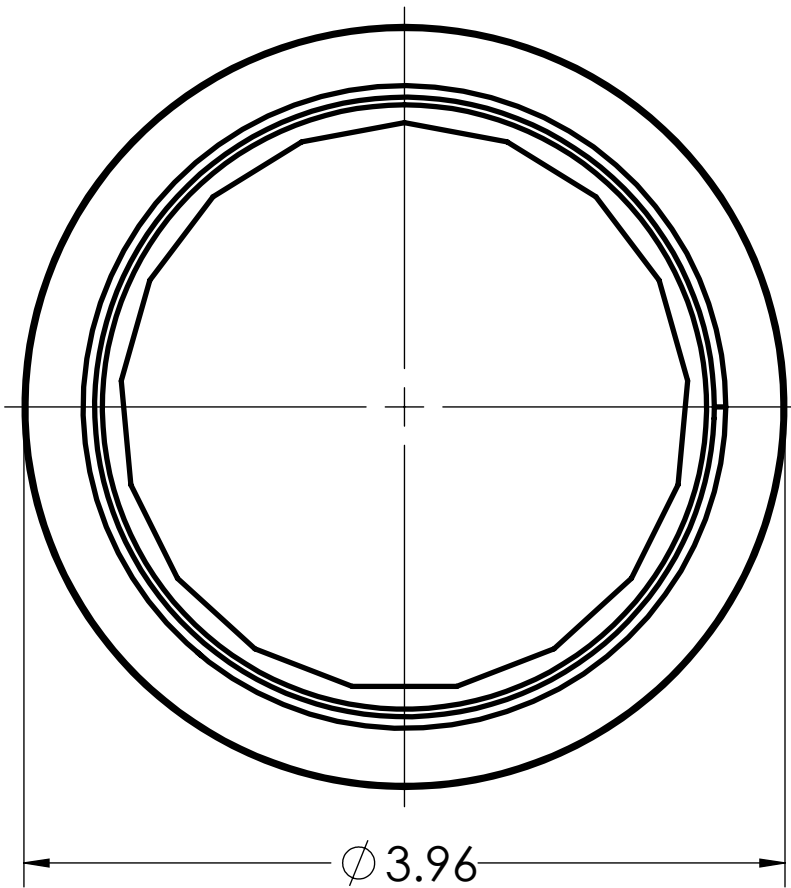


DIMENSIONS SHOWN ARE FOR REFERENCE AND ARE SUBJECT TO CHANGE WITHOUT NOTICE		
Kraloy, a Division of Multi Fittings Corp. under license		
PART DESCRIPTION TA30 3" PVC TERMINAL ADPT KRALOY		
PRODUCT CODE: 078091	UNIT: INCHES UNLESS DUAL DIMENSION: INCH [METRIC]	SCALE: NTS
DRAWN:	T.Q.	



DIMENSIONS SHOWN ARE FOR REFERENCE AND ARE SUBJECT TO CHANGE WITHOUT NOTICE		
Kraloy, a Division of Multi Fittings Corp. under license		
PART DESCRIPTION TA30 3" PVC TERMINAL ADPT KRALOY		
PRODUCT CODE: 078091	UNIT: INCHES UNLESS DUAL DIMENSION: INCH [METRIC]	SCALE: NTS
DRAWN:	T.Q.	