

## Deluxe Cord Grips

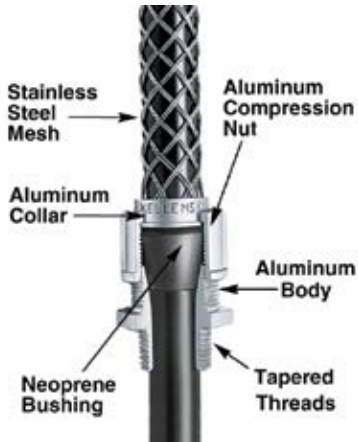
Aluminum Fittings, Stainless Steel Mesh, Liquidtight for Insulated Cables.

### IMPORTANT:

Read all safety and technical data relating to this product.

Refer to pages X-61 through X-68.

### Straight Male Thread



NPT Thread Size Inches	Grip Diameter Range Inches (cm)	Form Size	Catalog Number
3/8	.250"- .312" (.63-.79)	F1	07401001
	.312"- .375" (.79-.95)		07401002
	.375"- .437" (.95-1.11)		07401003
1/2	.187"- .250" (.47-.63)	F2	07401004
	.250"- .375" (.63-.95)		07401006
	.375"- .500" (.95-1.27)		07401008
1/2	.500"- .625" (1.27-1.59)	F3	07401010
	.625"- .750" (1.59-1.90)		074011247*
	.750"- .875" (1.90-2.22)		074011248*
3/4	.187"- .250" (.47-.63)	F2	07401011
	.250"- .375" (.63-.95)		07401013
	.375"- .500" (.95-1.27)		07401015
3/4	.500"- .625" (1.27-1.59)	F3	07401017
	.625"- .750" (1.59-1.90)		07401018
	.750"- .875" (1.90-2.22)		074011249*
1	.375"- .500" (.95-1.27)	F4	074011195
	.500"- .625" (1.27-1.59)		07401019
	.625"- .750" (1.59-1.90)		07401021
1	.750"- .875" (1.90-2.22)	F5	07401023
	.875"- 1.000" (2.22-2.54)		07401025
	1.000"- 1.125" (2.54-2.86)		074011250*
1	1.125"- 1.250" (2.86-3.17)	F5	074011028*
	1.250"- 1.375" (3.17-3.49)		074011029*
	.750"- .875" (1.90-2.22)		074011251
1 1/4	.875"- 1.000" (2.22-2.54)	F5	07401026
	1.000"- 1.125" (2.54-2.86)		07401027
	1.125"- 1.250" (2.86-3.17)		07401028
1 1/2	1.250"- 1.375" (3.17-3.49)	F5	074011178*
	.750"- .875" (1.90-2.22)		074011252
	.875"- 1.000" (2.22-2.54)		07401029
1 1/2	1.000"- 1.125" (2.54-2.86)	F5	07401030
	1.125"- 1.250" (2.86-3.17)		07401031
	1.250"- 1.375" (3.17-3.49)		07401032
1 1/2	1.312"- 1.437" (3.33-3.65)	F6	074011253
	1.437"- 1.562" (3.65-3.97)		074011254*
	1.562"- 1.687" (3.97-4.28)		074011255*
1 1/2	1.687"- 1.812" (4.28-4.60)	F6	074011256*
	1.750"- 1.875" (4.44-4.76)		074011257*
	1.250"- 1.375" (3.17-3.49)		074011258
2	1.312"- 1.437" (3.33-3.65)	F6	074011259
	1.437"- 1.562" (3.65-3.97)		07401033
	1.562"- 1.687" (3.97-4.28)		07401034
2	1.687"- 1.812" (4.28-4.60)	F7	07401035
	1.750"- 1.875" (4.44-4.76)		074011260
	1.812"- 1.937" (4.60-4.92)		074011261
2	1.937"- 2.062" (4.92-5.24)	F7	074011262*
	2.062"- 2.187" (5.24-5.55)		074011263*
	2.187"- 2.312" (5.55-5.87)		074011264*
2 1/2	2.312"- 2.437" (5.87-6.19)	F7	074011265*
	1.688"- 1.812" (4.29-4.60)		074011030
	1.812"- 1.937" (4.60-4.92)		074011031
2 1/2	1.937"- 2.062" (4.92-5.24)	F7	074011032
	2.062"- 2.187" (5.24-5.55)		074011033
	2.187"- 2.312" (5.55-5.87)		074011034
3	2.312"- 2.437" (5.87-6.19)	F7	074011266*
	1.937"- 2.062" (4.92-5.24)		074011036
	2.062"- 2.187" (5.24-5.55)		074011037
3	2.187"- 2.312" (5.55-5.87)	F8	074011038
	2.312"- 2.437" (5.87-6.19)		074011039
	2.437"- 2.625" (6.19-6.67)		074011186
3	2.625"- 2.812" (6.67-7.14)	F8	074011187
	2.812"- 3.000" (7.14-7.62)		074011188
	3.000"- 3.250" (7.62-8.25)		074011189*

Note: Kellems® Deluxe Cord Grips are suitable for use in hazardous locations per Class I Div. 2, Class II Div. 1 & 2, Class III Div. 1 & 2 of the National Electric Code Sections 501.10(b)(2), 502.10(a)(2), 502.10(b)(2), 503.10(a)(2) and 503.10(b).  
\*Cable jacket may have to be stripped to pass through connector body.

Dimensions in Inches (mm)

## Deluxe Cord Grips

Aluminum Fittings, Stainless Steel Mesh, Liquidtight for Insulated Cables.

### IMPORTANT:

Read all safety and technical data relating to this product.

Refer to pages X-61 through X-68.

### Straight Male Thread



NPT Thread Size Inches	Grip Diameter Range Inches (cm)	Form Size	Catalog Number
3/8	.250"-.312" (.63-.79)	F1	07401001
	.312"-.375" (.79-.95)		07401002
	.375"-.437" (.95-1.11)		07401003
1/2	.187"-.250" (.47-.63)	F2	07401004
	.250"-.375" (.63-.95)		07401006
	.375"-.500" (.95-1.27)		07401008
1/2	.500"-.625" (1.27-1.59)	F3	07401010
	.625"-.750" (1.59-1.90)		074011247*
	.750"-.875" (1.90-2.22)		074011248*
3/4	.187"-.250" (.47-.63)	F2	07401011
	.250"-.375" (.63-.95)		07401013
	.375"-.500" (.95-1.27)		07401015
3/4	.500"-.625" (1.27-1.59)	F3	07401017
	.625"-.750" (1.59-1.90)		07401018
	.750"-.875" (1.90-2.22)		074011249*
1	.375"-.500" (.95-1.27)	F4	074011195
	.500"-.625" (1.27-1.59)		07401019
	.625"-.750" (1.59-1.90)		07401021
1	.750"-.875" (1.90-2.22)	F5	07401023
	.875"-.1.000" (2.22-2.54)		07401025
	1.000"-.1.125" (2.54-2.86)		074011250*
1	1.125"-.1.250" (2.86-3.17)	F5	074011028*
	1.250"-.1.375" (3.17-3.49)		074011029*
	.750"-.875" (1.90-2.22)		074011251
1 1/4	.875"-.1.000" (2.22-2.54)	F5	07401026
	1.000"-.1.125" (2.54-2.86)		07401027
	1.125"-.1.250" (2.86-3.17)		07401028
1 1/2	1.250"-.1.375" (3.17-3.49)	F5	074011178*
	.750"-.875" (1.90-2.22)		074011252
	.875"-.1.000" (2.22-2.54)		07401029
1 1/2	1.000"-.1.125" (2.54-2.86)	F5	07401030
	1.125"-.1.250" (2.86-3.17)		07401031
	1.250"-.1.375" (3.17-3.49)		07401032
1 1/2	1.312"-.1.437" (3.33-3.65)	F6	074011253
	1.437"-.1.562" (3.65-3.97)		074011254*
	1.562"-.1.687" (3.97-4.28)		074011255*
1 1/2	1.687"-.1.812" (4.28-4.60)	F6	074011256*
	1.750"-.1.875" (4.44-4.76)		074011257*
	1.250"-.1.375" (3.17-3.49)		074011258
2	1.312"-.1.437" (3.33-3.65)	F6	074011259
	1.437"-.1.562" (3.65-3.97)		07401033
	1.562"-.1.687" (3.97-4.28)		07401034
2	1.687"-.1.812" (4.28-4.60)	F7	07401035
	1.750"-.1.875" (4.44-4.76)		074011260
	1.812"-.1.937" (4.60-4.92)		074011261
2	1.937"-.2.062" (4.92-5.24)	F7	074011262*
	2.062"-.2.187" (5.24-5.55)		074011263*
	2.187"-.2.312" (5.55-5.87)		074011264*
2 1/2	2.312"-.2.437" (5.87-6.19)	F7	074011265*
	1.688"-.1.812" (4.29-4.60)		074011030
	1.812"-.1.937" (4.60-4.92)		074011031
2 1/2	1.937"-.2.062" (4.92-5.24)	F7	074011032
	2.062"-.2.187" (5.24-5.55)		074011033
	2.187"-.2.312" (5.55-5.87)		074011034
3	2.312"-.2.437" (5.87-6.19)	F7	074011266*
	1.937"-.2.062" (4.92-5.24)		074011036
	2.062"-.2.187" (5.24-5.55)		074011037
3	2.187"-.2.312" (5.55-5.87)	F8	074011038
	2.312"-.2.437" (5.87-6.19)		074011039
	2.437"-.2.625" (6.19-6.67)		074011186
3	2.625"-.2.812" (6.67-7.14)	F8	074011187
	2.812"-.3.000" (7.14-7.62)		074011188
	3.000"-.3.250" (7.62-8.25)		074011189*

Note: Kellems® Deluxe Cord Grips are suitable for use in hazardous locations per Class I Div. 2, Class II Div. 1 & 2, Class III Div. 1 & 2 of the National Electric Code Sections 501.10(b)(2), 502.10(a)(2), 502.10(b)(2), 503.10(a)(2) and 503.10(b).  
\*Cable jacket may have to be stripped to pass through connector body.

Dimensions in Inches (mm)