

Single Meter Sockets - Without Bypass

125 & 200 Amp

Single Meter Sockets
Without Bypass



011 (closed)



U204 (open)

Application

- Single meter position
- Receive ANSI C12.10 watthour meters
- Surface or flush mount (see chart)

Construction

- Ring type
- NEMA Type 3R
- ANSI 61 gray E-coat finish
- Aluminum snap ring included



Standards

- UL 414 Listed
- ANSI C12.7

Accessories

- 5th Jaw Kit - 50365
- 200A Triplex Ground - ETB200
- AW Hub

| Part/UPC Number | Catalog Number | Amp Rating | Jaws | Service Type | Access | Connections | | |
|-----------------|----------------|------------|------|--------------|--------|-------------|-------------|-------------|
| | | | | | | Line | Load | Neutral |
| 78205142000 | 011 | 125 | 4 | 1Ø/3W | OH/UG | #14 - 1/0 | #14 - 1/0 | #14 - 2/0 |
| 78205142040 | 011 F | 125 | 4 | 1Ø/3W | OH/UG | #14 - 1/0 | #14 - 1/0 | #14 - 2/0 |
| 78205142045 | 011 MS73 | 125 | 4 | 1Ø/3W | OH/UG | #14 - 1/0 | #14 - 1/0 | #14 - 2/0 |
| 78205142050 | 011 SF | 125 | 4 | 1Ø/3W | OH/UG | #14 - 1/0 | #14 - 1/0 | #14 - 2/0 |
| 78205144030 | 927 | 100 | 7 | 3Ø/4W | OH/UG | #14 - 1/0 | #14 - 1/0 | #14 - 2/0 |
| 78205156000 | 204 | 200 | 4 | 1Ø/3W | OH | #6 - 250MCM | #6 - 250MCM | #6 - 350MCM |
| 78205156020 | 204 F | 200 | 4 | 1Ø/3W | OH | #6 - 250MCM | #6 - 250MCM | #6 - 350MCM |
| 78205156030 | 204 F MS73 | 200 | 4 | 1Ø/3W | OH | #6 - 250MCM | #6 - 250MCM | #6 - 350MCM |
| 78205156040 | 204 MS68 | 200 | 4 | 1Ø/3W | OH | #6 - 250MCM | #6 - 250MCM | #6 - 350MCM |
| 78205156035 | 204 MS68A | 200 | 4 | 1Ø/3W | OH | #6 - 250MCM | #6 - 250MCM | #6 - 350MCM |
| 78205108490 | 204 MS73 | 200 | 4 | 1Ø/3W | OH | #6 - 250MCM | #6 - 250MCM | #6 - 350MCM |
| 78205156005 | U204 | 200 | 4 | 1Ø/3W | UG | #6 - 250MCM | #6 - 250MCM | #6 - 350MCM |
| 78205156045 | U204 F | 200 | 4 | 1Ø/3W | UG | #6 - 250MCM | #6 - 250MCM | #6 - 350MCM |
| 78205156060 | U204 F MS73 | 200 | 4 | 1Ø/3W | UG | #6 - 250MCM | #6 - 250MCM | #6 - 350MCM |
| 78205156070 | U204 MS73 | 200 | 4 | 1Ø/3W | UG | #6 - 250MCM | #6 - 250MCM | #6 - 350MCM |
| 78205156140 | U207 | 200 | 7 | 3Ø/4W | OH/UG | #6 - 250MCM | #6 - 250MCM | #6 - 250MCM |
| 78205156170 | U207 F | 200 | 7 | 3Ø/4W | UG | #6 - 250MCM | #6 - 250MCM | #6 - 250MCM |
| 78205156180 | U207 MS73 | 200 | 7 | 3Ø/4W | OH/UG | #6 - 250MCM | #6 - 250MCM | #6 - 250MCM |

| Part/UPC Number | Catalog Number | Overall Dimensions | | | Top Provision | Knockout Layout |
|-----------------|----------------|--------------------|-------|---------------------------------|--|-----------------|
| | | Height | Width | Depth | | |
| 78205142000 | 011 | 12" | 8" | 4 ⁵ / ₈ " | AW Hub | Fig. 1 |
| 78205142040 | 011 F | 12" | 8" | 4 ⁵ / ₈ " | 2" max KO | Fig. 1 |
| 78205142045 | 011 MS73 | 12" | 8" | 4 ⁵ / ₈ " | AW Hub | Fig. 1 |
| 78205142050 | 011 SF | 12" | 8" | 4 ⁵ / ₈ " | 2" max KO | Fig. 1 |
| 78205144030 | 927 | 17" | 8" | 4 ⁵ / ₈ " | AW Hub | Fig. 1 |
| 78205156000 | 204 | 15" | 8" | 4 ⁵ / ₈ " | AW Hub | Fig. 2 |
| 78205156020 | 204 F | 15" | 8" | 6" | 2" max KO | Fig. 2 |
| 78205156030 | 204 F MS73 | 15" | 8" | 6" | 2" max KO | Fig. 2 |
| 78205156040 | 204 MS68 | 15" | 8" | 4 ⁵ / ₈ " | AW / 2" Hub | Fig. 2 |
| 78205156035 | 204 MS68A | 15" | 8" | 4 ⁵ / ₈ " | AW / 2" Hub | Fig. 2 |
| 78205108490 | 204 MS73 | 15" | 8" | 4 ⁵ / ₈ " | None | Fig. 2 |
| 78205156005 | U204 | 15" | 12" | 4 ⁵ / ₈ " | None | Fig. 3 |
| 78205156045 | U204 F | 15" | 12" | 6" | (2) 2" max KO | Fig. 3 |
| 78205156060 | U204 F MS73 | 15" | 12" | 6" | None | Fig. 3 |
| 78205156070 | U204 MS73 | 15" | 12" | 4 ⁵ / ₈ " | None | Fig. 3 |
| 78205156140 | U207 | 18" | 12" | 5" | AW Hub | Fig. 4 |
| 78205156170 | U207 F | 18" | 12" | 5" | 2 ¹ / ₂ " max KO | Fig. 4 |
| 78205156180 | U207 MS73 | 18" | 12" | 5" | AW Hub | Fig. 4 |

AIC Note:
For short circuit current ratings see page 131.

Single Meter Sockets - Without Bypass

125 & 200 Amp

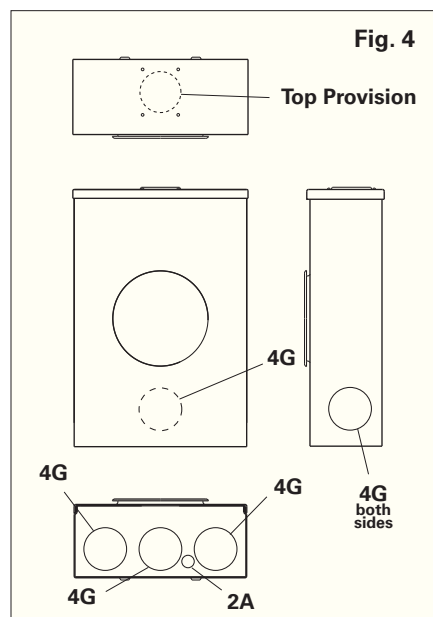
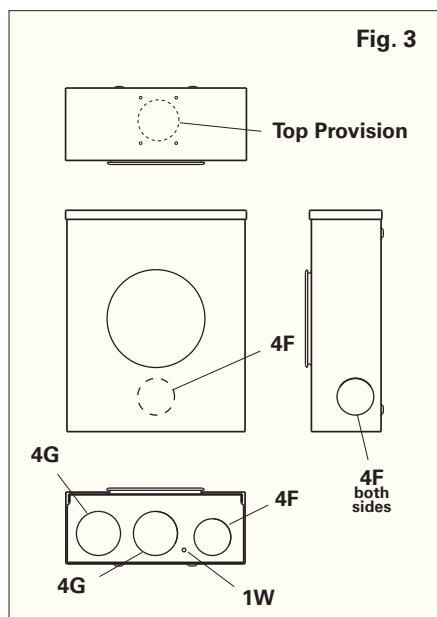
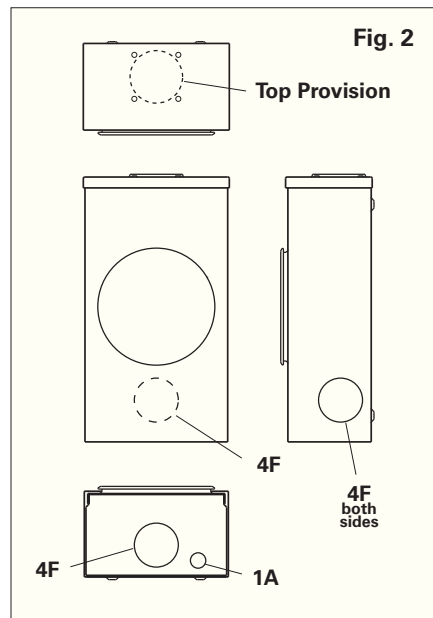
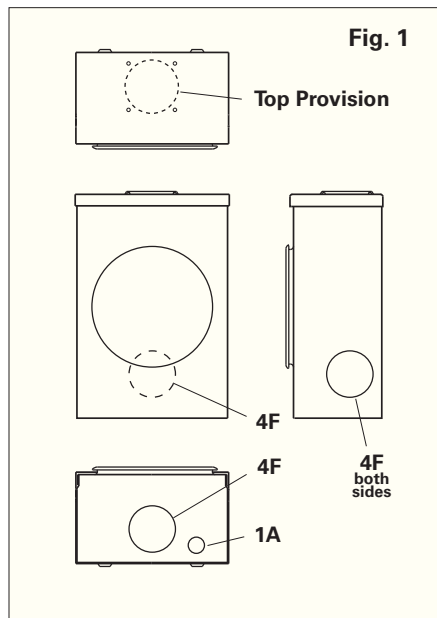
Single Meter Sockets
Without Bypass

| Style # | Suffixes |
|---------|---------------------------|
| 011 | F - Flush Mount |
| (U) 204 | MS68 - 2" Conduit Hub |
| (U) 207 | MS68A - MS73 + MS68 |
| 927 | MS73 - AL Screw Type Ring |
| | SF - Semi Flush Mount |
| | SS - Stainless Steel |

Knockouts - Conduit Sizes

| |
|------------------------------------|
| 1W = 1/4" |
| 1A = 1/2" |
| 2A = 1/2" - 1/4" |
| 4F = 2" - 1 1/2" - 1 1/4" - 1" |
| 4G = 2 1/2" - 2" - 1 1/2" - 1 1/4" |
| Top Provision = See Chart |

Knockout Layouts



Data subject to change without notice. Consult local utility for area acceptance. All dimensions are in inches.

Single Meter Sockets - Without Bypass

125 & 200 Amp



UG204 (closed)



UG204 (open)

Application

- Dedicated straight wire line section
- Receive ANSI C12.10 watt-hour meters
- Surface or flush mount (see chart)

Construction

- Ring type
- NEMA Type 3R
- ANSI 61 gray E-coat finish
- Aluminum snap ring included



Standards

- UL 414 Listed
- ANSI C12.7
- EUSERC 301A

Accessories

- 5th Jaw Kit - 50365
- AW Hub

| Part/UPC Number | Catalog Number | Amp Rating | Jaws | Service Type | Access | Connections | | |
|-----------------|-------------------|------------|------|--------------|--------|--------------|--------------|--------------|
| | | | | | | Line | Load | Neutral |
| 78205142030 | U011 * | 125 | 4 | 1Ø/3W | UG | #14 - 2/0 | #14 - 2/0 | #14 - 2/0 |
| 78205156200 | UG204 | 200 | 4 | 1Ø/3W | UG | #6 - 350 MCM | #6 - 250 MCM | #6 - 250 MCM |
| 78205156205 | UG204 F | 200 | 4 | 1Ø/3W | UG | #6 - 350 MCM | #6 - 250 MCM | #6 - 250 MCM |
| 78205126000 | UG204 F SS | 200 | 4 | 1Ø/3W | UG | #6 - 350 MCM | #6 - 250 MCM | #6 - 250 MCM |
| 78205126005 | UG204 SS | 200 | 4 | 1Ø/3W | UG | #6 - 350 MCM | #6 - 250 MCM | #6 - 250 MCM |

| Part/UPC Number | Catalog Number | Overall Dimensions | | | Top Provision | Knockout Layout |
|-----------------|-------------------|--------------------|-------|---------------------------------|---------------|-----------------|
| | | Height | Width | Depth | | |
| 78205142030 | U011 * | 12" | 12" | 4 ⁵ / ₈ " | None | Fig. 1 |
| 78205156200 | UG204 | 17" | 14" | 4 ⁵ / ₈ " | None | Fig. 2 |
| 78205156205 | UG204 F | 17" | 14" | 6" | 2" max KO | Fig. 3 |
| 78205126000 | UG204 F SS | 17" | 14" | 6" | 2" max KO | Fig. 3 |
| 78205126005 | UG204 SS | 17" | 14" | 4 ⁵ / ₈ " | None | Fig. 2 |

AIC Note:
For short circuit current ratings see page 131.

* NOT compliant with EUSERC 301A

Single Meter Sockets - Without Bypass

125 & 200 Amp

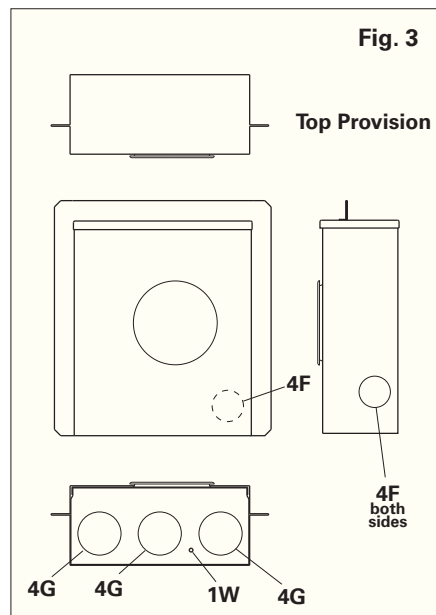
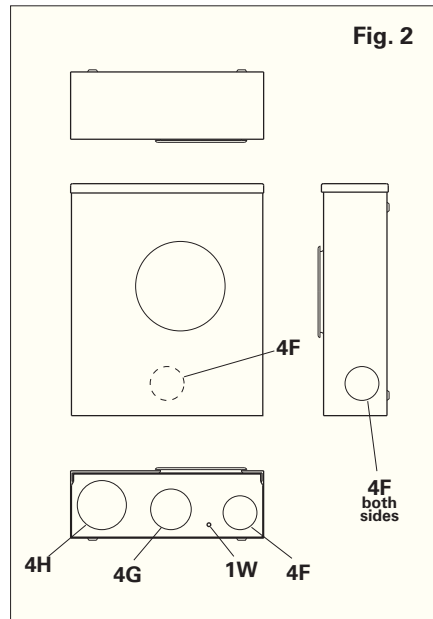
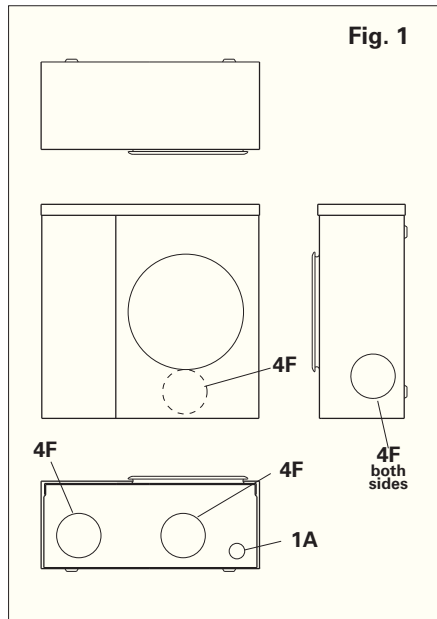
Single Meter Sockets
Without Bypass

| Style # | Suffixes |
|---------|----------------------|
| U011 | F - Flush Mount |
| UG204 | SS - Stainless Steel |

Knockouts - Conduit Sizes

1A = 1/2"
 4F = 2" - 1 1/2" - 1 1/4" - 1"
 4G = 2 1/2" - 2" - 1 1/2" - 1 1/4"
 4H = 3" - 2 1/2" - 2" - 1 1/2"
 1W = 1/4"
 Top Provision = See Chart

Knockout Layouts



Data subject to change without notice. Consult local utility for area acceptance. All dimensions are in inches.

Single Meter Sockets - Without Bypass

125 & 200 Amp



011 (closed)



U204 (open)

Application

- Single meter position
- Receive ANSI C12.10 watthour meters
- Surface or flush mount (see chart)

Construction

- Ring type
- NEMA Type 3R
- ANSI 61 gray E-coat finish
- Aluminum snap ring included



Standards

- UL 414 Listed
- ANSI C12.7

Accessories

- 5th Jaw Kit - 50365
- 200A Triplex Ground - ETB200
- AW Hub

| Part/UPC Number | Catalog Number | Amp Rating | Jaws | Service Type | Access | Connections | | |
|-----------------|----------------|------------|------|--------------|--------|-------------|-------------|-------------|
| | | | | | | Line | Load | Neutral |
| 78205142000 | 011 | 125 | 4 | 1Ø/3W | OH/UG | #14 - 1/0 | #14 - 1/0 | #14 - 2/0 |
| 78205142040 | 011 F | 125 | 4 | 1Ø/3W | OH/UG | #14 - 1/0 | #14 - 1/0 | #14 - 2/0 |
| 78205142045 | 011 MS73 | 125 | 4 | 1Ø/3W | OH/UG | #14 - 1/0 | #14 - 1/0 | #14 - 2/0 |
| 78205142050 | 011 SF | 125 | 4 | 1Ø/3W | OH/UG | #14 - 1/0 | #14 - 1/0 | #14 - 2/0 |
| 78205144030 | 927 | 100 | 7 | 3Ø/4W | OH/UG | #14 - 1/0 | #14 - 1/0 | #14 - 2/0 |
| 78205156000 | 204 | 200 | 4 | 1Ø/3W | OH | #6 - 250MCM | #6 - 250MCM | #6 - 350MCM |
| 78205156020 | 204 F | 200 | 4 | 1Ø/3W | OH | #6 - 250MCM | #6 - 250MCM | #6 - 350MCM |
| 78205156030 | 204 F MS73 | 200 | 4 | 1Ø/3W | OH | #6 - 250MCM | #6 - 250MCM | #6 - 350MCM |
| 78205156040 | 204 MS68 | 200 | 4 | 1Ø/3W | OH | #6 - 250MCM | #6 - 250MCM | #6 - 350MCM |
| 78205156035 | 204 MS68A | 200 | 4 | 1Ø/3W | OH | #6 - 250MCM | #6 - 250MCM | #6 - 350MCM |
| 78205108490 | 204 MS73 | 200 | 4 | 1Ø/3W | OH | #6 - 250MCM | #6 - 250MCM | #6 - 350MCM |
| 78205156005 | U204 | 200 | 4 | 1Ø/3W | UG | #6 - 250MCM | #6 - 250MCM | #6 - 350MCM |
| 78205156045 | U204 F | 200 | 4 | 1Ø/3W | UG | #6 - 250MCM | #6 - 250MCM | #6 - 350MCM |
| 78205156060 | U204 F MS73 | 200 | 4 | 1Ø/3W | UG | #6 - 250MCM | #6 - 250MCM | #6 - 350MCM |
| 78205156070 | U204 MS73 | 200 | 4 | 1Ø/3W | UG | #6 - 250MCM | #6 - 250MCM | #6 - 350MCM |
| 78205156140 | U207 | 200 | 7 | 3Ø/4W | OH/UG | #6 - 250MCM | #6 - 250MCM | #6 - 250MCM |
| 78205156170 | U207 F | 200 | 7 | 3Ø/4W | UG | #6 - 250MCM | #6 - 250MCM | #6 - 250MCM |
| 78205156180 | U207 MS73 | 200 | 7 | 3Ø/4W | OH/UG | #6 - 250MCM | #6 - 250MCM | #6 - 250MCM |

| Part/UPC Number | Catalog Number | Overall Dimensions | | | Top Provision | Knockout Layout |
|-----------------|----------------|--------------------|-------|---------------------------------|--|-----------------|
| | | Height | Width | Depth | | |
| 78205142000 | 011 | 12" | 8" | 4 ⁵ / ₈ " | AW Hub | Fig. 1 |
| 78205142040 | 011 F | 12" | 8" | 4 ⁵ / ₈ " | 2" max KO | Fig. 1 |
| 78205142045 | 011 MS73 | 12" | 8" | 4 ⁵ / ₈ " | AW Hub | Fig. 1 |
| 78205142050 | 011 SF | 12" | 8" | 4 ⁵ / ₈ " | 2" max KO | Fig. 1 |
| 78205144030 | 927 | 17" | 8" | 4 ⁵ / ₈ " | AW Hub | Fig. 1 |
| 78205156000 | 204 | 15" | 8" | 4 ⁵ / ₈ " | AW Hub | Fig. 2 |
| 78205156020 | 204 F | 15" | 8" | 6" | 2" max KO | Fig. 2 |
| 78205156030 | 204 F MS73 | 15" | 8" | 6" | 2" max KO | Fig. 2 |
| 78205156040 | 204 MS68 | 15" | 8" | 4 ⁵ / ₈ " | AW / 2" Hub | Fig. 2 |
| 78205156035 | 204 MS68A | 15" | 8" | 4 ⁵ / ₈ " | AW / 2" Hub | Fig. 2 |
| 78205108490 | 204 MS73 | 15" | 8" | 4 ⁵ / ₈ " | None | Fig. 2 |
| 78205156005 | U204 | 15" | 12" | 4 ⁵ / ₈ " | None | Fig. 3 |
| 78205156045 | U204 F | 15" | 12" | 6" | (2) 2" max KO | Fig. 3 |
| 78205156060 | U204 F MS73 | 15" | 12" | 6" | None | Fig. 3 |
| 78205156070 | U204 MS73 | 15" | 12" | 4 ⁵ / ₈ " | None | Fig. 3 |
| 78205156140 | U207 | 18" | 12" | 5" | AW Hub | Fig. 4 |
| 78205156170 | U207 F | 18" | 12" | 5" | 2 ¹ / ₂ " max KO | Fig. 4 |
| 78205156180 | U207 MS73 | 18" | 12" | 5" | AW Hub | Fig. 4 |

AIC Note:
For short circuit current ratings see page 131.

Single Meter Sockets - Without Bypass

125 & 200 Amp

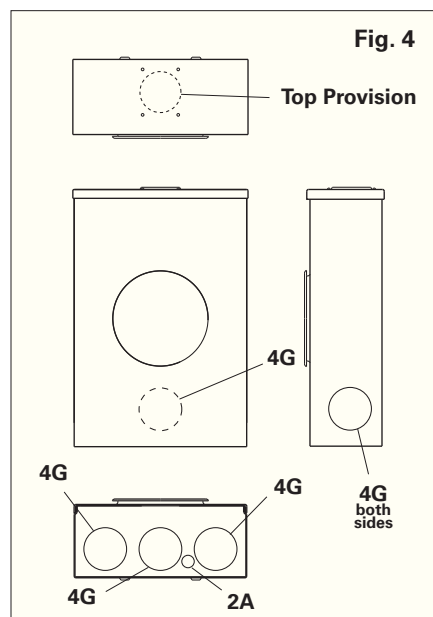
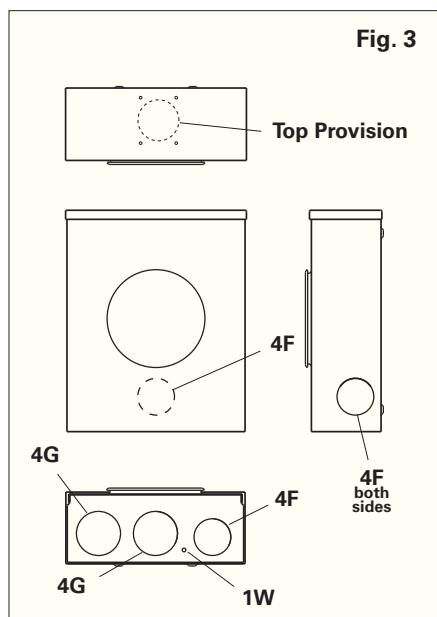
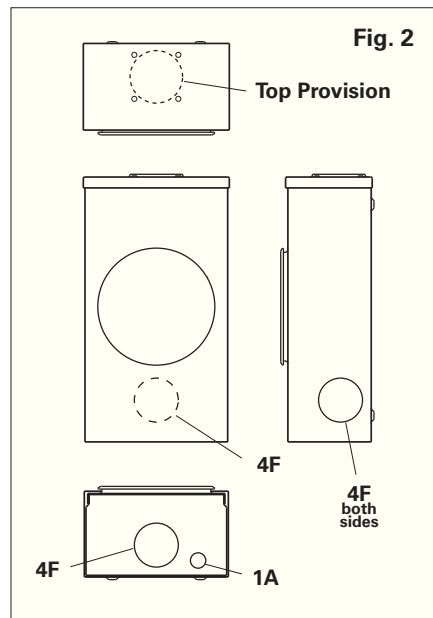
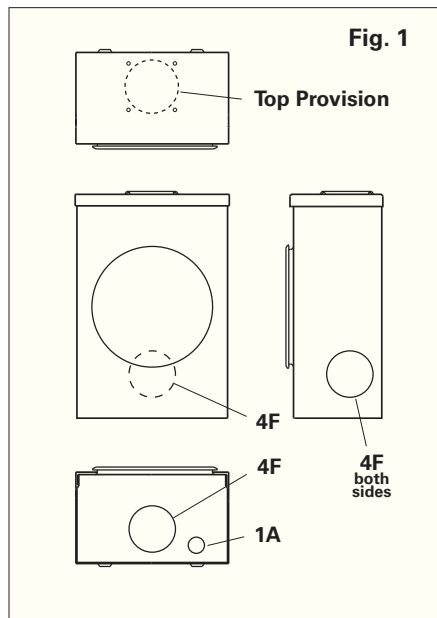
Single Meter Sockets
Without Bypass

| Style # | Suffixes |
|---------|---------------------------|
| 011 | F - Flush Mount |
| (U) 204 | MS68 - 2" Conduit Hub |
| (U) 207 | MS68A - MS73 + MS68 |
| 927 | MS73 - AL Screw Type Ring |
| | SF - Semi Flush Mount |
| | SS - Stainless Steel |

Knockouts - Conduit Sizes

| |
|------------------------------------|
| 1W = 1/4" |
| 1A = 1/2" |
| 2A = 1/2" - 1/4" |
| 4F = 2" - 1 1/2" - 1 1/4" - 1" |
| 4G = 2 1/2" - 2" - 1 1/2" - 1 1/4" |
| Top Provision = See Chart |

Knockout Layouts



Data subject to change without notice. Consult local utility for area acceptance. All dimensions are in inches.

Single Meter Sockets - Without Bypass

125 & 200 Amp



UG204 (closed)



UG204 (open)

Application

- Dedicated straight wire line section
- Receive ANSI C12.10 watt-hour meters
- Surface or flush mount (see chart)

Construction

- Ring type
- NEMA Type 3R
- ANSI 61 gray E-coat finish
- Aluminum snap ring included



Standards

- UL 414 Listed
- ANSI C12.7
- EUSERC 301A

Accessories

- 5th Jaw Kit - 50365
- AW Hub

| Part/UPC Number | Catalog Number | Amp Rating | Jaws | Service Type | Access | Connections | | |
|-----------------|-------------------|------------|------|--------------|--------|--------------|--------------|--------------|
| | | | | | | Line | Load | Neutral |
| 78205142030 | U011 * | 125 | 4 | 1Ø/3W | UG | #14 - 2/0 | #14 - 2/0 | #14 - 2/0 |
| 78205156200 | UG204 | 200 | 4 | 1Ø/3W | UG | #6 - 350 MCM | #6 - 250 MCM | #6 - 250 MCM |
| 78205156205 | UG204 F | 200 | 4 | 1Ø/3W | UG | #6 - 350 MCM | #6 - 250 MCM | #6 - 250 MCM |
| 78205126000 | UG204 F SS | 200 | 4 | 1Ø/3W | UG | #6 - 350 MCM | #6 - 250 MCM | #6 - 250 MCM |
| 78205126005 | UG204 SS | 200 | 4 | 1Ø/3W | UG | #6 - 350 MCM | #6 - 250 MCM | #6 - 250 MCM |

| Part/UPC Number | Catalog Number | Overall Dimensions | | | Top Provision | Knockout Layout |
|-----------------|-------------------|--------------------|-------|---------------------------------|---------------|-----------------|
| | | Height | Width | Depth | | |
| 78205142030 | U011 * | 12" | 12" | 4 ⁵ / ₈ " | None | Fig. 1 |
| 78205156200 | UG204 | 17" | 14" | 4 ⁵ / ₈ " | None | Fig. 2 |
| 78205156205 | UG204 F | 17" | 14" | 6" | 2" max KO | Fig. 3 |
| 78205126000 | UG204 F SS | 17" | 14" | 6" | 2" max KO | Fig. 3 |
| 78205126005 | UG204 SS | 17" | 14" | 4 ⁵ / ₈ " | None | Fig. 2 |

AIC Note:
For short circuit current ratings see page 131.

* NOT compliant with EUSERC 301A

Single Meter Sockets - Without Bypass

125 & 200 Amp

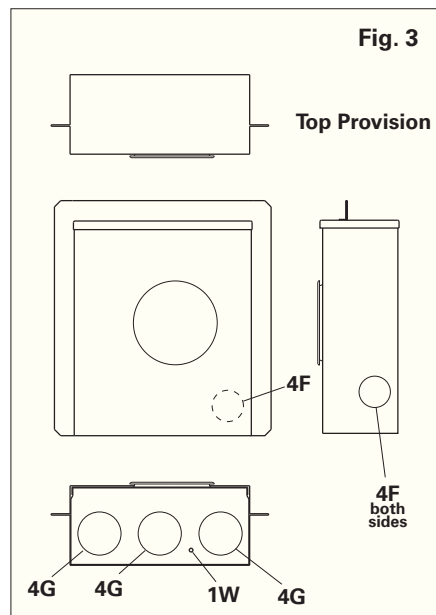
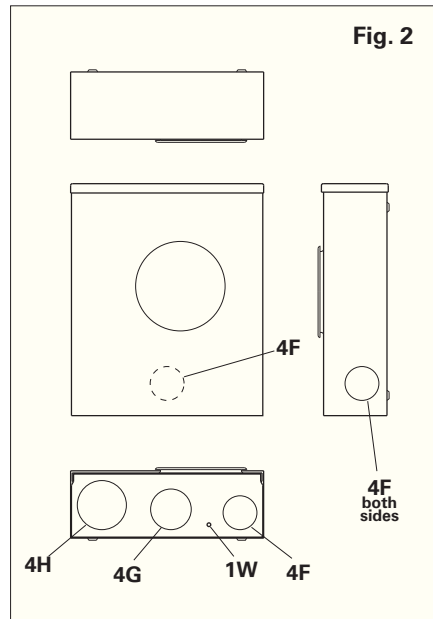
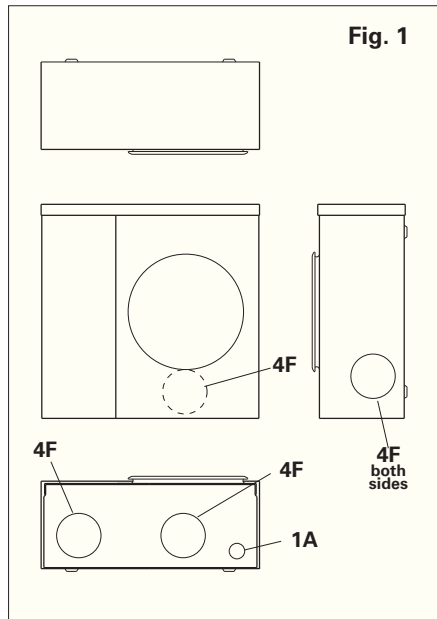
Single Meter Sockets
Without Bypass

| Style # | Suffixes |
|---------|----------------------|
| U011 | F - Flush Mount |
| UG204 | SS - Stainless Steel |

Knockouts - Conduit Sizes

1A = 1/2"
 4F = 2" - 1 1/2" - 1 1/4" - 1"
 4G = 2 1/2" - 2" - 1 1/2" - 1 1/4"
 4H = 3" - 2 1/2" - 2" - 1 1/2"
 1W = 1/4"
 Top Provision = See Chart

Knockout Layouts



Data subject to change without notice. Consult local utility for area acceptance. All dimensions are in inches.